

Thinking of you
Electrolux

Microwave oven
EMM21000

Contents

Before using your microwave oven	4
Technical data	4
Safety instructions	5
– Utensil safety	5
– Testing suitability of cookware	5
– Food safety	6
Installation	8
– Connecting to the mains	8
Oven utensils and accessories guide	9
– Unpacking	9
How to operate your microwave oven	10
– Name and function of parts	10
– Turntable Installation	10
– Control panel	11
– Microwave Cooking	12
– Microwave Power Setting Guide	12
– Defrosting instructions using (180W)	13
– Microwave Hints	14
– Care and cleaning	15
– Cleaning the accessories (turntable and support)	15
– Cleaning the interior	15
– Cleaning the exterior	15
Guarantee conditions	16

Congratulations on the purchase of your new Microwave Oven

Thank you for having chosen a Electrolux product. We are convinced that you will find your new microwave oven very useful and that it will be of great help to you. As with all new kitchen appliances, it will take some time to learn all the new functions and features, but with time, this oven will become indispensable to you.

Before using your Microwave Oven

Read through the instruction manual carefully and ensure that you follow the recommendations given, these instructions have been prepared so that you get the best from your new Electrolux Microwave Oven. It is important that this instruction book is retained with the appliance for future reference. Should the appliance be sold or transferred to another owner, or if you move house and leave the appliance, always ensure that the book is supplied with the appliance so that the new owner can be acquainted with the functioning of the appliance and the relevant warnings.

Technical data

Overall dimension	Weight 14.4 kg
Width 485 mm	Volume 21 Litre
Depth 422 mm	Power source 230V, 50 Hz
Height 287 mm	Fuse 10 A
Cavity dimension	Power consumption 1250W
Width 335.8 mm	Power output 800W
Depth 314 mm	
Height 206 mm	

Important Safety instructions.

READ CAREFULLY AND KEEP FOR FUTURE REFERENCE

- The built-in safety interlock switches prevent the microwave oven from operating when the door is open.
- Do not tamper with them, or attempt to operate the oven with the door open as open door operation can result in exposure to microwave energy.
- Do not allow food spills or cleaner residue to accumulate on door sealing surfaces. See the Cleaning and Care section for cleaning instructions.
- It is particularly important that the oven door closes properly and that there is no damage to the: (1) door (warped), (2) hinges and latches (broken or insecure), (3) door seals and sealing surface.
- **If the door, hinges/latches or door seals are damaged, the microwave must not be operated until it has been repaired by a authorized service person.**
- **It is hazardous for anyone except factory trained service personnel to service or make adjustments to this oven. Contact your nearest authorised service agent if service should be required.**
- Do not remove the outer case, door or control panel at any time. Doing so may cause exposure to extremely high voltage.
- Install or locate this oven only in accordance with 'installation instructions' found in this manual.
- Use the appliance for its intended use as described in this manual. Do not use corrosive chemicals in this appliance. This type of oven is specifically designed to heat, cook, or defrost food. It is not designed for industrial or laboratory use neither for commercial use as this will invalidate the guarantee.
- Do not operate the oven empty. If food or water is not present to absorb the microwave energy, the magnetron tube can be damaged.
- Do not store this appliance outdoors. Do not use this product near water.
- Do not attempt to dry clothing or newspapers in the microwave oven. These items can ignite.
- Do not use the cavity for storage purposes. Do not leave paper products, cooking utensils, or food in the cavity when not in use.
- The temperature of accessible surfaces may be high when the appliance is operating.
- **If smoke is observed, switch off or unplug the appliance and keep the door closed in order to stifle any flames. Never use water.**
- **Only allow children or infirm persons to use the microwave, without supervision, when adequate instructions have been given so that the child or infirm person is able to use the microwave in a safe way and understand the hazards of improper use.**

Utensil safety

- Only use utensils that are suitable for use in a microwave oven.
- Most glass, glass ceramic and heat-resistant glass-ware utensils are excellent for use in the micro-wave oven. Although microwave energy will not heat most glass and ceramic items, these utensils can become hot as heat transfers from the food to the container. The use of oven gloves to remove dishes is recommended.

Testing suitability of cookware

- Utensils should be checked to ensure they are suitable for use in Microwave Ovens.
- Place the cookware in the microwave along with a glass half full of water. Heat on **(800W)** (100%) for one minute. If the cookware feels hot, you should not use it. If it is just slightly warm, you can use it for reheating but not for cooking. If the dish is room temperature, it is suitable for microwave cooking.

- Paper napkins, wax paper, paper towels, plates, cups, cartons, freezer wrap and cardboard are great convenience utensils. Always be sure containers are filled with food to absorb energy and thus avoid the possibility of overheating or ignition.
- Many plastic dishes, cups, freezer containers and plastic wraps may be used in the microwave oven. Follow manufacturer's instructions when using plastics in the oven. Avoid using plastic utensils with foods that have high fat or sugar content since these foods reach high temperatures and could melt some plastics.
- Do not leave oven unattended, and look at it from time to time when heating or cooking food in plastic, paper or other combustible containers.
- Metal utensils and utensils with metallic trim should not be used in the microwave oven, unless specifically recommended for microwave use.
- Containers with restricted openings, such as bottles, should not be used for microwave cooking.
- Use caution when removing a lid or cover from a dish to avoid steam burns.

Foil containers

Shallow foil containers may safely be used to reheat foods in your microwave oven providing the following rules are observed:

1. Foil containers should not be more than 3 cms (1 1/4") deep.
2. Foil lids must not be used.
3. The foil containers must be at least two-thirds full of food. Empty containers must never be used.
4. Foil containers should be used singly in the microwave oven and should not be allowed to touch the sides. If your oven has a metal turntable or cooking rack, the foil container should be placed on an upturned oven-proof plate.
5. Foil containers should never be re-used in the microwave oven.
6. If the microwave oven has been in use for 15 minutes or more, allow it to cool before using it again.

7. The container and turntable may become hot during use, take great care when removing either from the oven. It is advisable to use an oven cloth or glove when doing so.
8. Remember when using an aluminium foil container that the reheating or cooking times may be longer than you are used to, always ensure that the food is piping hot before serving.

Food safety

- Do not heat food in a can in the microwave oven. Always remove the food to a suitable container.
- Deep fat frying should not be done in the microwave oven, because the fat temperature cannot be controlled, hazardous situations can result.
- Popcorn may be prepared in the microwave oven, but only in special packages or utensils designed specifically for this purpose. This cooking operation should never be unattended.
- Pierce foods with non-porous skins or membranes to prevent steam build-up and bursting. Apples, potatoes, chicken livers, and egg yolks are examples of items that should be pierced.
- The contents of feeding bottles and baby food jars are to be stirred or shaken and the temperature is to be checked before consumption, in order to avoid burns.
- **Liquids or other foods must not be heated in sealed containers since they are liable to explode.**
- **Microwave heating of beverages can result in delayed eruptive boiling, therefore care must be taken when handling the container.**
- **When heating liquids, e.g. soups, sauces and beverages in your microwave oven, overheating the liquid beyond boiling point can occur without evidence of bubbling. This could result in a sudden boil over of the hot liquid. To prevent this possibility the following steps should be taken:**

1. Avoid using straight-sided containers with narrow necks.
 2. Do not overheat.
 3. Stir the liquid before placing the container in the oven and again halfway through the heating time.
 4. After heating, allow to stand in the oven for a short time, stirring again before carefully removing the container.
- **Some products such as whole eggs and sealed containers – for example, closed glass jars – may explode and should not be heated in this oven. Occasionally, poached eggs may explode during cooking. Always pierce the yolk, then cover and allow the standing time of one minute before removing cover.**
 - It is quite normal for steam to be emitted around the door, or for misting to occur on the door, or even for water droplets to appear below the door during the cooking cycle. This is merely condensation from the heat of the food and does not affect the safety of your oven. The door is not intended to seal the oven cavity completely.
 - Do not force the turntable to rotate by hand. This may cause malfunctioning.
 - Arcing in the oven during microwave operation usually occurs from use of metallic utensils. Continuous arcing, however, can damage the unit. Stop the programme and check the utensil.
 - Care should be taken not to obstruct any air vents located on the top, rear, side and bottom of the oven.
 - **Do not use this oven for commercial purposes. This oven is made for domestic use only.**

Installation.

1. Remove any promotion label from the door.
2. The oven should be installed on a flat, level surface. The surface must be strong enough to safely bear the weight (16 kg) of the oven, and the contents. To avoid the possibility of causing vibration or noise the oven must be in a stable position.
3. Keep the oven away from heat and water. Exposure to heat and water can lower oven efficiency and lead to malfunctioning, so be sure to install the oven away from heat and water sources.
4. Do not block air vents on the top and the sides of the cabinet and also do not place any articles on the top of the oven. If air vents are blocked during operation, the oven may overheat, and this may lead to malfunctioning. Hot air escapes from the vents, so be sure not to obstruct it or let curtains come between the oven and the rear wall.
5. Place the oven as far away from radios and TV's as possible. This oven does conform to EEC requirements of radio interference suppression, but some interference may occur if it is placed too close to a radio or TV, so keep them as far apart as possible.
6. If positioned in a corner, leave a gap of at least 10 cm from the walls and 10 cm above the microwave.

IMPORTANT! The oven can be placed almost anywhere in the kitchen. Make sure the oven is placed on a flat, level surface and that vents as well as the surface underneath the oven are not blocked (for sufficient ventilation).

Connecting to the mains

The oven is delivered with the power cord and a plug for 230V, 50Hz, earthed socket outlet.

Earth protection minimises the risks should a short circuit occur. Check to ensure the voltage of the oven matches the supply.

N.B. If the oven is connected to the socket via an extension cord, make sure the cord is earthed.

- **This appliance must not be used on a non-earth protected power supply. Contact an electrician if you are uncertain regarding electrical connection of the oven or provision of earth protection of the supply.**
- **This appliance must be earthed. If this appliance is fitted with a non-rewireable plug for which your socket is unsuitable, it must be replaced by the manufacturer, its service agent or similarly qualified persons in order to avoid a hazard.**
- **If the supply cord is damaged, it must be replaced by the manufacturer, its service agent or similarly qualified persons in order to avoid a hazard.**

Oven utensils and accessories guide

A variety of Utensils and Materials may be used for cooking in your microwave oven. For your safety and to prevent damaging utensils and your oven choose appropriate utensils and materials for each cooking method. The list below is a general guide.

Material	Utensils	Microwave
Ceramic & Glass	Corning ware	YES
	Heat resistant glass ware	YES*1
	Glass ware with metal decoration	NO
	Lead crystal glass	NO
China	Without metal decoration	YES
Pottery*2		YES
Plastic	Microwave oven heat-proof wear	YES
	Plastic wrap	YES
Metal	Baking pan	NO
	Aluminium foil*3	YES
Paper	Cups, plates, towels	YES
	Waxed paper	YES
Wood		NO
Accessories	Grill rack	NO
	Turntable	YES
	Turntable support	YES

YES: Utensils and accessories to use

NO: Utensils and accessories to avoid

*1 Only if there is no metal trim.

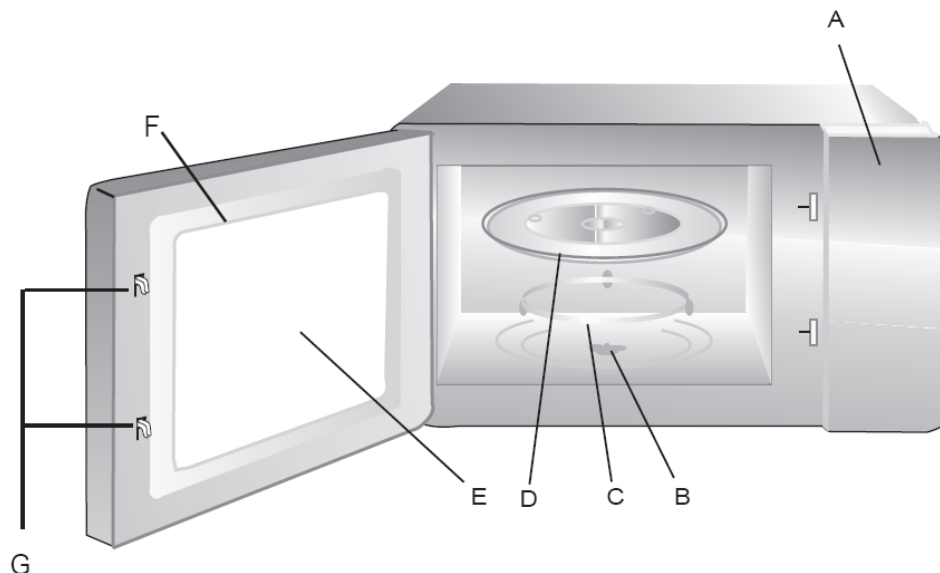
*2 Only if it does not have a glaze containing metal.

*3 NOTE: Use aluminium foil only for shielding purposes, over use may cause arcing.

Unpacking

N.B. When you unpack the oven, check that the product is free from damage. Damage or any missing parts must be reported immediately to the retailer. The oven, parts of the oven or the accessories may be wrapped by a protection foil. If so, you must remove this foil before using the oven. Do not leave packing material so that small children can play with it. This can be hazardous.

How to operate your microwave oven



Name and function of parts

- A. Control panel.
- B. Turntable drive shaft
- C. Turntable support and roller assembly. Place the support on the floor of the cooking chamber to support the turntable.
- D. Glass turntable. Food in a suitable container is placed on this tray for cooking. Do not use the oven without the turntable.
- E. Viewing window. Food can be seen through this window while cooking
- F. Oven door and seal. Oven door must always be closed during cooking and the faces free from dirt and build up of food
- G. Latch hook and safety interlock system.

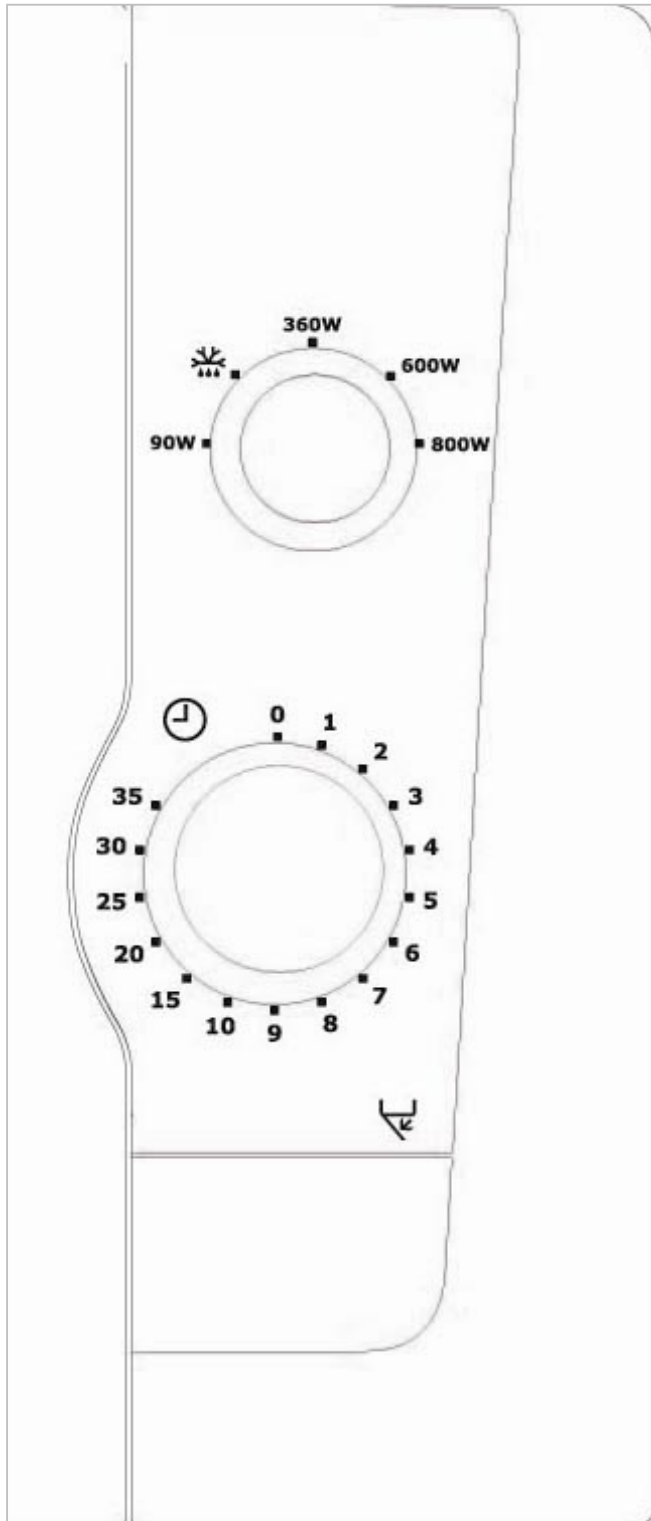
Turntable Installation

1. Place the turntable support on the cavity Bottom.
2. Place the turntable on top of the turntable support as shown in the diagram. Make sure that turntable hub is securely locked in the turntable shaft.

Never place the turntable upside down.

- Both turntable and turntable support must always be used during cooking.
- All food and containers of food are always placed on this turntable for cooking.
- This turntable rotates clockwise and anticlockwise; this is normal.

CONTROL PANEL



1. Power Selector

Adjust this knob to select the correct power level for your food.

2. Timer

Set for desired cooking time. Cooking will start as soon as the knob is turned. Clockwork timers will operate more accurately if wound past the desired time and then back.

MICROWAVE COOKING

1. Open the door, place the food on the turntable. Close the door.
2. Set the Power Selector to the desired power level.(See table below.)
3. Set the Timer to the desired time.

The oven begins cooking.

When cooking for less than 2 minutes, turn the timer for a longer period and than return to the desired time.

To turn off the oven during cooking, simply turn the Timer to 0.

Note: After use, be sure to return the Timer to 0, or the oven will continue to operate.

Example: To cook at 600W for 15 minutes

1. Turn the power selector to 600W.
2. Turn the timer to 15
3. The Oven will automatically start cooking for 15 minutes at 600W

Microwave Power setting Guide

Power Setting	Suggested use
90W	Keeping warm; Keeping foods warm
180W	Defrost; Thawing frozen foods.
360W	Simmer; Completing the cooking cycle of some pot roasts. Casseroles and stews. Baked custards or cheesecakes.
600W	Medium; Baking cakes and sponge puddings
800W	Boiling or reheating liquids. Cooking vegetables. Preheating a browning dish.

Recommendations for Defrosting using 180W

Some foods such as bread and fruit, can successfully be thawed manually by using the power setting.

FOOD	PREPARATION	180W	STANDING TIME
Bread			
Small loaf	Place on microwave-proof rack or kitchen paper. Turn over halfway through defrosting time.	8–10 min.	10–15 min.
Sliced large loaf	Place on microwave-proof rack or kitchen paper. Turn over halfway through defrosting time.	10–13 min.	10 min
2 slices	Place on kitchen paper.	45–60 sec.	5 min.
1 bread roll	Place on kitchen paper.	45–60 sec.	5 min.
2 bread rolls	Place on kitchen paper.	1–1½ min.	5 min.
Cakes and Pastry			
Gateau 450g/1 lb	Remove from packaging, place on plate.	9–11 min.	15–30 min.
Cheesecake 450g/1 lb	Remove from packaging, place on plate.	9–11 min.	15–30 min.
Pie (cooked) 450g/1 lb	Remove from packaging, place on plate.	7– 9 min.	15–30 min.
Pastry 450g/1 lb	Remove from packaging, place on plate.	7– 9 min.	15–30 min.
Butter			
250g/8.8 oz (1 packet)	If foil wrapped, remove from wrapper and place on a plate	3– 4 min.	5–10 min.
Fruit			
225g/8 oz Soft berry fruits	Place in a single layer in a shallow dish.	5– 6 min.	5–10 min.
450g/1 lb Soft berry fruits	Place in a single layer in a shallow dish.	7– 8 min.	5–10 min.
Plated meal			
400g/14 oz	Cover with a plate or non P.V.C. cling film. To reheat, microwave on 100% (800W)for 3–4 minutes.	7– 8 min	5–10 min.
Vegetables			
	It is not necessary to defrost vegetables before cooking. All vegetables can be thawed and cooked on 100% (800W)		

Microwave Hints

- Always keep the oven clean – avoid spill-overs and do not forget to clean under the glass tray and the inside of the door.
- Preferably use round or oval casseroles with a lid when cooking in your microwave oven.
- Do not use metal or metal decorated casseroles. Certain plastic materials can melt and be warped by hot food.
- Cover the food when cooking. Use a glass lid, a plate or grease proof paper.
- Pastry, bread and the like can be defrosted directly in a bread basket or on a paper towel.
- If frozen food is heated in its packaging, the packaging should be opened. Packaging containing metal or metal decoration must not be used unless specifically recommended for use in the microwave. Remove metal clips and wire ties.
- Smaller pieces of aluminium foil can be used to cover parts that easily over cook such as chicken legs.
- Food with peel or skin should be pierced with a fork – e.g. potatoes and sausages. Do not boil eggs in the microwave oven as they can explode.
- Put large, thick pieces close to the edge of the casserole and try to cut the food in to even sized pieces. Always place the food in the centre of the oven.
- The food will be evenly cooked if you stir or turn it a few times.
- Always set a shorter cooking time than indicated in your recipe to avoid over cooking. The larger the amount of food the longer it takes.
- Use little or no water for vegetables.
- Use less salt and spices than for 'normal' cooking.
- Season afterwards.
- Allow a few minutes 'standing' time after the oven has switched off to ensure complete and even cooking results.
- Always ensure food is piping hot throughout before serving.
- Use pot holders or gloves when taking dishes and food from the oven.

Microwave Tips

- **Softening Honey**
If you have a jar of honey which has crystallised, remove lid and place the jar in the oven, microwave on medium power for 2 minutes.
- **Melting Chocolate**
Break 100g of chocolate into squares, place in a bowl and heat on high power for 1-2 minutes and stir well.
- **Softening or Melting Butter**
Melting takes a few seconds on high power. Softening is best done more gently on low power.
- **Freshen or Warm Bread**
Use medium power for few seconds.
- **Peeling Garlic easily**
Heat 3 or 4 cloves of garlic on high power for 15 seconds. Squeeze at one end until the clove pops out.
- **Fruit Juice**
Citrus fruits will yield more juice if they are heated on high power for 15 seconds before squeezing.
- **Cooking Porridge**
Porridge is easily cooked in the serving dish with no sticky pan to wash. Follow food manufacturers' recommendations.

Care and cleaning

The oven must always be clean. Residue of food from spillovers or spatters will attract microwave energy causing it to burn on. This could reduce the efficiency of the oven and may cause bad odours. Do not attempt to tamper with or make any adjustments or repairs to any part of the oven. Repairs should only be done by a qualified service technician.

Be sure the oven is disconnected from the electricity supply before cleaning.

Cleaning the accessories (turntable and support)

Clean them with mild detergent after removing them from the cavity. The turntable support should be carefully handled.

CAUTION: The inside of the oven and turntable get very hot, so do not touch them immediately after use.

Cleaning the interior

Always keep the inside of the oven clean. Wipe up spill-overs and food spatters immediately. Deposits that are allowed to remain on the oven walls, door seal and door surface will absorb microwave energy, reduce the efficiency of the oven, and possibly damage the oven interior. Use mild, liquid detergent, warm water and a soft, clean cloth to remove deposits.

NEVER USE ABRASIVE CLEANERS, COMMERCIAL OVEN CLEANERS OR STEEL WOOL PADS ON ANY PART OF THE MICROWAVE OVEN.

To loosen difficult deposits, boil a cup of water in the microwave oven for 2 or 3 minutes.

NEVER USE A KNIFE OR ANY UTENSIL TO REMOVE DEPOSITS FROM OVEN SURFACES.

To remove odours from the oven interior, boil a cup of water plus 2 tablespoons of lemon juice for 5 minutes.

Cleaning the exterior

Open the oven door when cleaning the control panel. This will prevent the oven from being turned on accidentally. You should clean outside surfaces of the oven with mild liquid detergent and water followed by a wiping with clear water to remove any excess detergent. Dry with a soft cloth.

Spray-on window cleaners or all purpose spray-on kitchen cleaners can also be used. Never use abrasive cleaners, scouring pads or harsh chemicals on outside surfaces of your oven. To prevent damage to the working parts, do not allow water to seep into ventilation openings.

GUARANTEE CONDITIONS

Electrolux offer the following guarantee to the first purchaser of this appliance:

1. The guarantee is valid for 24 months commencing when the appliance is handed over to the first retail purchaser, which must be verified by purchase invoice or similar documentation. The guarantee does not cover commercial use.
2. The guarantee covers all parts or components which fail due to faulty workmanship or faulty material. The guarantee does not cover appliances where defects or poor performance are due to misuse, accidental damage, neglect, faulty installation, unauthorised modification or attempted repair, commercial use or failure to observe requirements and recommendations set out in the instruction book. This guarantee does not cover such parts as light bulbs, removable glassware, or plastic.
3. Should guarantee repairs be necessary the purchaser must inform the nearest customer service office (ELECTROLUX's service or authorised agent). ELECTROLUX reserves the right to stipulate the place of repair (i.e. the customer's home, place of installation or ELECTROLUX workshop).
4. The guarantee or free replacement includes both labour and materials.
5. Repairs carried out under guarantee do not extend the guarantee period for the appliance. Parts removed during guarantee repairs become the property of ELECTROLUX.
6. The Purchaser's statutory rights are not affected by this guarantee.

European Guarantee

If you should move to another country within Europe then your guarantee moves with you to your new home subject to the following qualifications:

- The guarantee starts from the date you first purchased your product
- The guarantee is for the same period and to the same extent for labour and parts as exists in the new country of use for this brand or range of products
- This guarantee relates to you and cannot be transferred to another user
- Your new home is within the European Community (EC) or European Free Trade Area
- The product is installed and used in accordance with our instructions and is only used domestically, i.e. a normal household
- The product is installed taking into account regulations in your new country

Innehållsförteckning

4	Säkerhetsinformation
	– Vid installation och service
	– Vid användning av mikrovågsugnen
	– Vid skrotning av mikrovågsugnen
5	Viktigt att veta
5	Uppackning och Tillbehörslista
	– Uppackning
	– Tillbehör
5	– Tekniska data
6	Installation
	– Placering
	– Elanslutning
7	Beskrivning av mikrovågsugnen och dess tillbehör
	– Ugnen
	– Montering av den roterande glastallriken
8	Kontrollpanelen
9	Den roterande tallriken
	– Tillagning
	– Vägledning för val av effekt
9	Vägledning för val av upptiningstid
10	Kom ihåg
10	Praktiska råd och tips
	– Allmänna
	– Tillagning och uppvärmning
	– Upptining
	– Kokkärl
11	Så här testar du om ett kärl är lämpligt att använda i mikrovågsugnen
11	Det här kan du inte göra i mikrovågsugnen
11	Rengöring och skötsel
11	Om mikrovågsugnen inte fungerar
	– Innan du kontaktar serviceman
12	Service och reservdelar

Gratulerar till Din nya mikrovågsugn

Innan Du använder mikrovågsugnen rekommenderar vi att Du läser igenom hela bruksanvisningen, som ger en direkt beskrivning av ugnen och dess funktioner. För att undvika de risker, som trots allt alltid finns när Du använder en produkt som drivs med el, är det viktigt att ugnen installeras på rätt sätt och att Du läser igenom säkerhetsinformationen noga för att undvika felanvändning och onödiga olycksrisker. Spara bruksanvisningen och se till att den finns tillgänglig vid användning av ugnen.

Hur fungerar mikrovågsugnen?

Den s.k. magnetronen i mikrovågsugnen sänder ut elektromagnetisk energi i form av radiovågor. Dessa radiovågor, av en speciell våglängd, har förmåga att sätta fart på matens egna vattenmolekyler. Då molekylerna gnids mot varandra uppstår friktionsvärme och maten blir varm. Att laga mat med mikrovågor ger därför många fördelar:

Smakämnen, vitaminer och näringsämnen blir kvar i maten och den blir godare och fräschare. Till och med uppvärmda matrester smakar nylagat! Inget extra fett behövs. Därför blir mikrolagad mat kalorisnål.

Ekonomiskt!

Mikrovågorna värmer endast maten. Beroende på vad du lagar och hur mycket, så kan du spara upp till 75% elenergi jämfört med en vanlig spis/ugn! Dessutom kan du spara dina matrester, frysa in och sedan snabbt värma upp dem igen när det passar. Det blir raskt många insparade matslantar!

Säkerhetsinformation

Vid installation och service.

- Ugnen är avsedd för i hushåll normalt förekommande matlagning. Används den för andra ändamål kan det uppstå risk för skada på person och/eller egendom.
- En trasig ugn skall aldrig användas. Gör ugnen strömlös. Är den stickproppsansluten, lossas stickproppen från vägguttaget (drag i stickproppen, aldrig i kabeln). I annat fall tas säkringen (proppen) till ugnen ur elskåpet.
- Vid fel eller dålig funktion kontakta auktoriserad service för reparation. Se till att originalreservdelar används.
- Försök aldrig att förändra eller laga en trasig ugn själv. Installationsarbeten, förlängning av kabel osv, skall utföras av behörig fackman.
- **Arbete utfört av person utan tillräcklig kunskap kan försämra ugnen och leda till skada på person och/eller egendom. Sådan skada omfattas inte av garantin.**
- Installationsarbeten, förlängning av kabel osv, skall utföras av behörig fackman.

Vid användning av mikrovågsugnen

- Ugnen är avsedd att användas av vuxna. Låt inte barn leka med ugnen och lämna inte småbarn utan övervakning i närheten av en mikrovågsugn som är igång.
- Under inga omständigheter får mikrovågsugnen användas med ugnsluckan öppen eller med luckans säkerhetsbrytare ur funktion. Manipulera aldrig med säkerhetsbrytarna eller låsmekanismen.
- Starta aldrig ugnen om något kommit i kläm vid ugnsluckan. Låt inte mat eller smuts samlas på luckans insida eller på luckans tätningssytor på ugnen.

- Mikrovågsugnen får inte användas med skadad ugnslucka eller lucktätning innan den repareras av auktoriserad service.
- Ugnen får inte köras tom, då den kan skadas. Vid prov ställ in en kopp vatten för att absorbera mikrovågsenergin.
- Lämna aldrig ugnen utan tillsyn vid bakning av potatis, smältning av stearin, kokande av knäck, värmning av mat i papper eller annat brännbart material eftersom dessa varor vid mycket för lång uppvärmningstid blir så varma att de kan ta eld. Behåll då luckan stängd och stäng av ugnen helt, så kvävs eventuell uppkommen eld, **använd aldrig vatten.**
- Värm inte matolja eller fett då temperaturen inte går att kontrollera. Var försiktig med popcorn. Använd inte ugnen för att torka några som helst föremål. De kan överhettas och ta eld.

Vid skrotning av mikrovågsugnen

- Hjälptill till att undvika skador även när mikrovågsugnen skall skrotas. Lossa den från vägguttaget, kapa kabeln vid utgången från ugnen. Kontakta eventuellt Din kommun för information om var Du kan lämna Din ugn eller kontakta AB Elektroservice.

Viktigt att veta

- Använd alltid glastallriken på plats i ugnens botten.
- Vid upphettning av vatten eller vissa drycker kan det hända att temperaturen går över 100°C utan att vätskan börjar koka. Denna överhettning kan leda till att vätskan plötsligt kokar över när kärlet vidrörs.
- För att motverka detta kan man röra om vätskan eller låt vätskan stå minst 20 sekunder för att temperaturen skall utjämnas innan du tar ut den. Använd grytvantar.

Var försiktig vid värmning av barnmat. Tag bort locket eller nappor på burkar och flaskor innan de värms. Rör om maten ordentligt och kontrollera temperaturen noga innan maten ges till små barn.

- Använd inte bestick eller kärl av metall eller med metalldekor. Gnistbildning kan uppstå och förstöra ugnen och/eller kärlet.
- Metallklämmor eller förslutningar som innehåller metalltrådar kan ge gnistbildning i ugnen och skall därför avlägsnas.
- Se till att burkar eller förpackningar inte är tätt tillslutna när de värms i ugnen, då övertryck annars kan uppstå.

Uppackning och Tillbehörslista

Uppackning

Kontrollera att förpackningen och därmed ugnen ej är transportskadad.

Eventuella transportskador skall omedelbart anmälas till den som ansvarat för transporten.

Om ugnen är täckt med en skyddande plastfilm måste denna tas bort innan ugnen används första gången.

Efter uppackningen kontrollera att varan är felfri. Skador, felaktigheter och eventuella saknade delar skall omedelbart anmälas till säljaren. Lämna inte förpackningsmaterial så att små barn kan leka med det.

Tillbehör

- 1 Roterande glastallrik
- 1 Tallriksstöd, för den roterande glastallriken
- 1 Bruksanvisning

Tekniska data

Utvändiga mått:		Vikt	14.4 kg
Höjd	287 mm	Spänning	230 V, 1-fas 50 Hz
Bredd	485 mm	Säkring	10 A trög
Djup	422 mm	Anslutningseffekt	1250 W
Ugnsutrymme:		Mikrovågseffekt	800 W
Höjd	206 mm	Volym	21 l
Bredd	335.8 mm		
Djup	314 mm		

Vi reserverar oss för ändringar.

Installation

Placering

1. Ugnen skall placeras på en plan och stabil yta med god ventilation runt ugnen. Placera inte ugnen nära andra värmekällor, t ex spis eller värmeelement.
2. Blockera inte ugnens ventilationsöppningar. Då kan ugnen överhettas och automatiskt stängas av genom ett termiskt överhettningsskydd. Ugnen bör ha minst 3–5 cm fritt utrymme till närmaste vägg för att få tillräcklig ventilation. Fötterna får ej tas bort.
3. Tag bort eventuell förpackningsmaterial inifrån ugnen. **Obs! avlägsna inte den skyddande plastfil-men på ugnsluckans insida.** Den finns där för att skydda mot stänk och värme. Läs mer om hur du installerar den roterande glastall-riken och fästet för denna längre fram i instruktionsboken.
4. Torka ur ugnen invändigt och på luckans insida och tätningssytor med en fuktad trasa innan ugnen används.

Genom ugnens kompakta mått kan den placeras nästan var som helst på köksbänken, ett bord eller flyttas med till sommarhuset. Var alltid noga med att ugnen skall stå plant och på ett stabilt underlag. Se också till att ugnens fötter finns på plats för att ugnen skall få tillräcklig ventilation.

Elanslutning

Ugnen levereras med sladd och stickpropp för anslutning till ett separat 230 V 50 Hz, 10 A trög säkring och jordat vägguttag.

Kontrollera att ugnens spänning överensstämmer med vägguttagets spänning.

Mikrovågsugnar drar en mycket stor startström och måste därför anslutas till ett separat avsäkrat, jordat vägguttag. Andra större apparater som kyl, frys, spis, diskmaskin och dyligt får alltså inte anslutas på samma säkring.

Om din bostad är utrustad med automatsäkringar, måste dessa klara motsvarande krav.

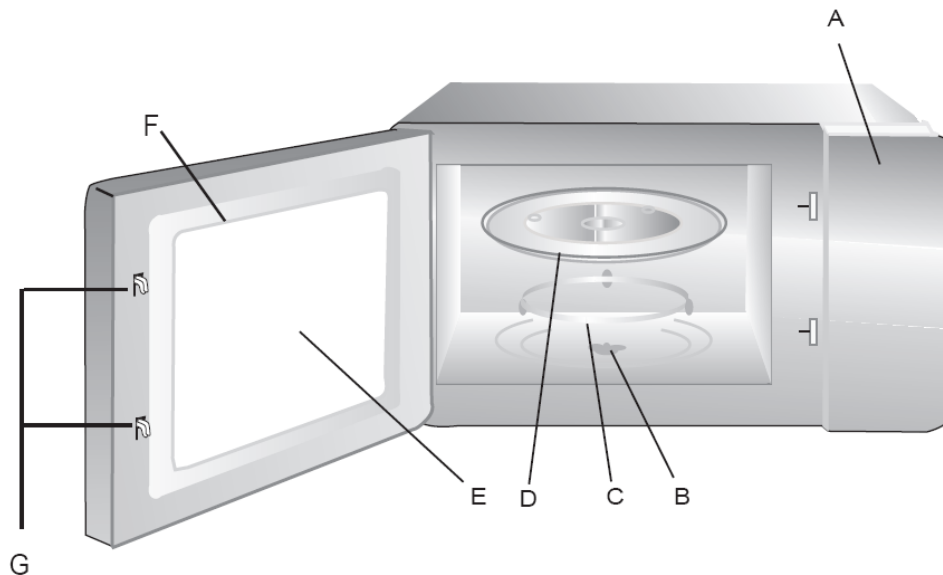
Mikrovågsugnen är försedd med sladd av specialutförande, som om den skadas, måste utbytas mot sladd av samma typ. Sådan sladd kan erhållas från AB Elektroservice som även bör montera denna.

Om ugnen ansluts till vägguttaget med skarvsladd måste också denna sladd vara av jordat utförande.

Ansluts ugnen till ett icke jordat vägguttag finns risk för elektrisk chock, vilket kan leda till skada på person och/eller egendom.

Kontakta en fackman vid tveksamhet om ugnens elektriska anslutning.

Beskrivning av mikrovågsugnen och dess tillbehör



Ugnen

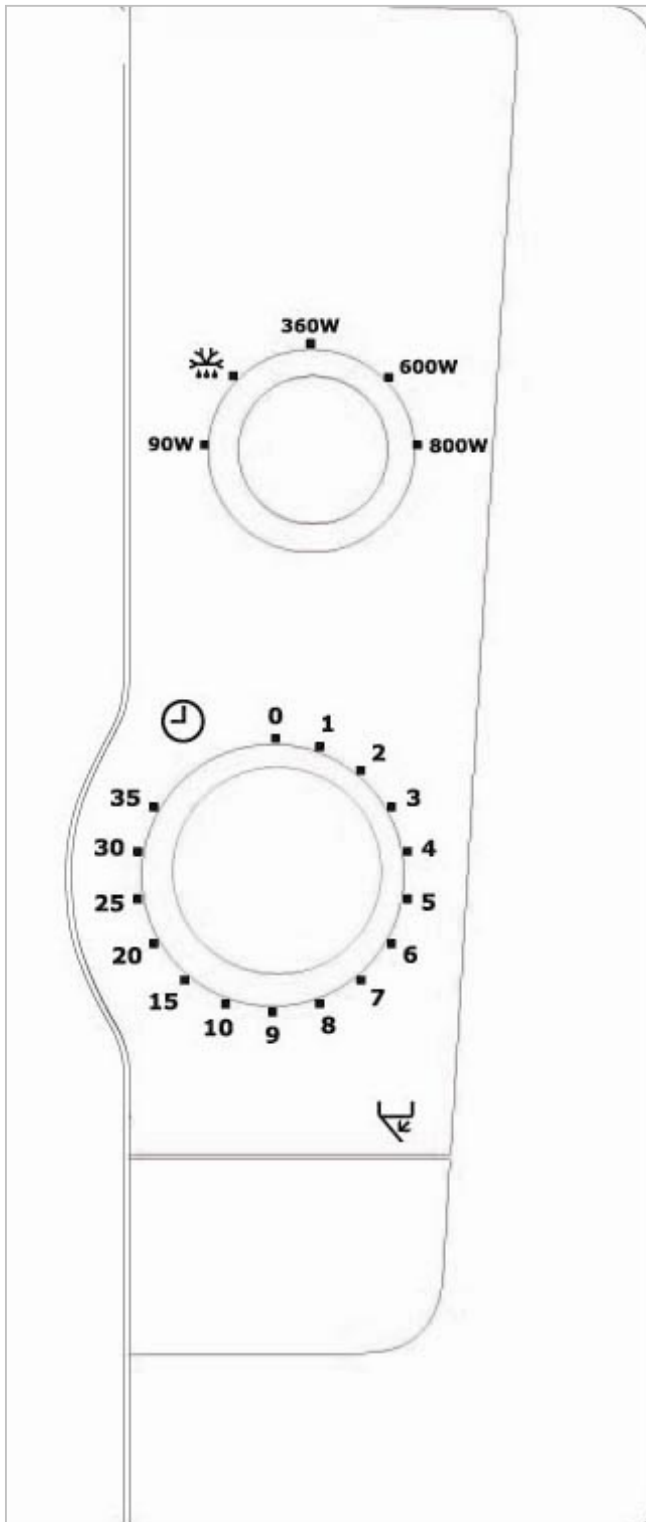
- A. Kontrollpanel.
- B. Fäste för den roterande tallriken.
- C. Stödet för glastallriken
- D. Glastallriken
- E. Fönster.
- F. Lucka
- G. Lucklås.

Montering av den roterande glastallriken

1. Placera stödet för glastallriken på ugnens botten.
2. Placera glastallriken på stödet. Se till att uttaget i tallrikens centrum låses i fästet på ugnens botten.

Placera aldrig tallriken upp och ned.

Kontrollpanelen



Ugnen får ej köras tom.
Om du vill träna, sätt in en kopp vatten.

Effektväljare.

Tidsinställning.

Den roterande tallriken

Det är viktigt att tallriken alltid är på plats i ugnen eftersom den fördelar mikrovågorna jämnt i maten då den roterar. Den kan rotera både åt höger och vänster.

Tillagning

1. Placera maten i en lämplig form.
(Se sidan 14 om vilka kärl som går att använda.)
2. Välj önskat effektläge genom att vrida på effektväljaren, beroende på det du tänker tillaga i ugnen. Se tabell nedan.
3. Ställ in tiden genom att vrida vredet för tidsinställningen till önskad tid. Markeringarna på vredet representerar minuter. Önskar du en kort tillagningstid, 2 minuter eller mindre, skall du vrida vredet upp till 10-minutersläget, och sedan tillbaka till önskad tid.
4. Om luckan är stängd eller stängs, startar ugnen automatiskt
5. När vredet återställs, hörs en signal och ugnen stängs automatiskt av.

Vägledning för val av Effekt

90W	För mjukgöring av smör, ost och glass. Upptining av skaldjur, kött och fisk.
180W	För mjukgöring av smör, ost och glass. Upptining av skaldjur, kött och fisk.
360W	För upptining av färdiglagade maträtter. Sjudning av såser.
600W	Tining och uppvärmning av bakverk. För tillagning av rätter som innehåller ägg och ost, samt grytor och försiktig uppvärmning. Tining och uppvärmning av bakverk.
800W	För tillagning och uppvärmning av större mängder samt rätter som du inte kan röra i, t.ex. Janssons frestelse. För snabb uppvärmning och tillagning av t.ex. fisk och grönsaker. För snabb uppvärmning av drycker och redan tillagad mat.

Vägledning för val av upptiningstid med 180W

Typ av mat	Vikt	Effekt	Tid/min	Anmärkning
Kött				
stek	1 kg	180W	27-32	
kotletter	200 g	180W	8-12	
stuvning	500 g	180W	16-20	
hamburgare	200 g	180W	9-13	
korv	300 g	180W	11-15	
Fågel				
hel kyckling	1,5 kg	180W	38-43	Efter upptining, skölj bort ev. isiga delar under varmt vatten.
kycklingdelar	500 g	180W	15-20	
kycklingbröst	300 g	180W	16-21	
Fisk				
fiskblock	400 g	180W	16-20	
fiskfiléer	300 g	180W	11-16	
hel fisk	500 g	180W	15-20	
Bröd				
	250 g	180W	7-10	Placera brödet direkt på den roterande tallriken.

OBS! Låt alltid maten stå 5-10 minuter, s.k. utjämningstid, innan du fortsätter tillagningen.

Kom ihåg

- Ju större mängd, desto längre tid.
- Kalla matvaror tar längre tid än rumstempererade.
- Porösa matvaror kräver kortare tid än kompakta.
- Maträtter som innehåller mycket vatten tillagas fortare.
- Salta först när köttet är klart. Salt gör lätt köttet segt och torrt.
- Låt alltid rätten få stå minst fem minuter för temperaturutjämning. Utjämningstiden ökar i förhållande till rättens storlek och konsistens.
- Det är bättre att välja den kortast angivna tiden i ett recept och sedan öka än att överkoka maten.

Praktiska råd och tips

Allmänna

I handeln finns många bra kokböcker med tips och recept för att underlätta olika moment vid matlagning och bakning. Börja alltid med den kortaste tillagningstiden i recept och tabeller.

- Du kan också lätt använda dina vanliga recept. Minska på salt, kryddor och vatten. Inget kokar ju bort.
- Den mesta maten kokas i sitt eget späd. Torra varor som ris och bönor behöver naturligtvis vätska.
- Täck maten vid tillagning och uppvärmning för att bibehålla fuktigheten och för att undvika onödig nedsmutsning.
- Bakverk kan tinas direkt i brödkorg eller på hushållspapper. Fyllning av sylt blir alltid mycket varmare än bakverket.
- Stek inte bacon direkt på glastallriken. För stora temperaturskillnader kan orsaka skada eller sprickor på bricken.
- Korv, äpple, potatis, lever och äggula är exempel på matvaror som bör prickas för att skalet eller hinnan spricker.

Tillagning och uppvärmning

- Innan du börjar tillaga maten, se till att den är ordentligt tinad.
- Placera de tunnare delarna av det som skall tillagas mot mitten av kärlet.
- Tillagningstiden kan variera beroende på matens temperatur, rumsvarm eller kylskåpskall, samt efter eget tycke och smak.
- Rör om i grytor, såser och dyligt för att få en jämnare tillagning.

Upptining

- Du kan tina köttet i sin förpackning. Se till att avlägsna eventuella delar av förpackningen som innehåller metall av olika slag.
- Placera de tunnare delarna av det som skall tinas mot mitten av kärlet.
- Efter upptiningstidens slut kan det fortfarande finnas is i matens centrum. För att få bästa resultat skall maten därför stå en stund, s. k. utjämningstid.

Kokkärl

Kontrollera att materialet i kärlet som används är lämpligt. Vissa plaster kan bli "sladdriga" och förlora formen. Andra plaster och vissa typer av keramik kan spricka, speciellt om små matmängder värms. Använd inte metallkärlet.

PORSLIN – De flesta typer av porslin med undantag av porslin med metalldekor. Guld- eller silverdekor förstörs. Det finns också porslinsglasyrer som innehåller metall. Om du är osäker, testa enligt metoden som anges nedan.

GLAS – Allt glas passar bra utom kristall och visst färgat glas.

PLAST – Plastmuggar eller burkar kan du använda för att värma i men inte koka i. De flesta hushållsplaster tål inte mer än 90°C. Kontrollera vilken temperatur de tål.

LERGODS – Stengods och lergods går att använda. Den bruna lergrytan skall blötläggas som vanligt.

METALL – Metallkärlet högre än 3 cm passar inte för matlagning i mikrovågsugnen. Mikrovågorna kan inte assera genom metall, så man får bara påverkan ovanifrån och resultatet blir därför inte bra.

Om metallkärlet eller aluminiumfolie placeras för nära ugnens väggar kan detta ge upphov till gnist- bildningar och brännmärken kan uppstå. Tänk på att ta bort metallclips på tepåsar och brödförpackningar.

Så här testar du om ett kärl är lämpligt att använda i mikrovågsugnen

Kärl kan testas genom att man ställer det tomt i ugnen. Placera en kaffekopp med vatten bredvid och värm sedan på full effekt i en minut. Efteråt bör kärlet inte på något ställe ha blivit mer än handvarmt.

Det här kan du inte göra i mikrovågsugnen

- Baka jäsdegsbröd – det får ingen färg.
- Grädda suffléer.
- Koka hela ägg med skal eller återuppvärma.
- Använda vanlig stektermometer. Specialtermometer för mikrovågsugnar finns i handeln.

Rengöring och skötsel.

- Använd inte ugnrensningemedel eller andra frätande eller slipande rengöringsmedel. Torka ugnens utsida och insida med en mjuk och fuktad trasa, använd handdiskmedel om så behövs.
- Torka upp eventuell kondens som bildas i ugnen, vid tillagning, med en mjuk trasa eller t. ex. hushållspapper.

Om mikrovågsugnen inte fungerar

- Är ugnen ansluten till vägguttaget?
- Är säkringen (proppen) hel?
- Är luckan stängd?
- Har du valt tillagningstid?
- Har du tryckt på start?

Service och reservdelar

Har du frågor om eller vill beställa service eller reservdelar ber vi dig att kontakta återförsäljaren eller vår rikstäckande service på tel. **020 – 76 76 76** eller via e-mail på **www.elektroservice.se**. Se adressen till ditt närmaste servicekontor i telefonkatalogen Gula sidorna under Hushållsutrustning, vitvaror - service.

Innan du beställer service, enligt EHL åtagandet, kontrollera först om du kan avhjälpa felet själv.

Läs igenom bruksanvisningen och följ de råd och anvisningar som ges i avsnittet **“Om mikrovågsugnen inte fungerar”** för att försäkra dig om att du inte kan åtgärda felet på egen hand. Observera, elektriska fel skall alltid åtgärdas av certifierad elektriker.

Innan du kontaktar service, skriv upp följande enligt dataskylten:

Mod:

SER. No:

Inköpsdatum:

Konsumentköp EHL

Vid försäljning till konsument i Sverige gäller Konsumentköp EHL-91 samt övriga EHL-bestämmelser vilka återförsäljaren tillhandahåller. Kom ihåg att spara kvittot och EHL-försäkringsbevis.

Konsumentkontakt

Har du frågor angående produktens funktion eller användning ber vi dig att kontakta vår konsumentkontakt på tel. 08 6725370 eller via e-mail på vår hemsida www.elektro-helios.se

Sivu Sisällysluettelo

4	Turvallisuusmääräyksiä <ul style="list-style-type: none">– Asennuksen ja huollon yhteydessä– Mikroaaltouunia käytettäessä– Mikroaaltouunin romutuksessa
5	– Tärkeää tietoa
5	Pakkauksen purkaminen ja varusteluettelo <ul style="list-style-type: none">– Pakkauksen purkaminen– Varusteluettelo
6	Tekniset tiedot Asennus <ul style="list-style-type: none">– Sijoittaminen– Kalusteisiin sijoittaminen– Sähköliitäntä
7	Mikroaaltouunin käyttö <ul style="list-style-type: none">– Uuni
8	– Varusteet
9	– Pyörivän kuumennusalustan asettaminen paikalleen
10	– Ohjaustaulu
10	– Pyörivä kuumennusalusta
	– Ruoanvalmistuksen keskeyttäminen
	– Ruoan valmistaminen
	– Ohjeita tehon valitsemiseen
11	– Muista
11	Käytännön neuvoja ja vihjeitä <ul style="list-style-type: none">– Yleisiä vihjeitä– Valmistaminen ja kuumentaminen– Pakasteiden sulattaminen
12	– Keittoastiat
12	– Mikroaaltouunikäyttöön sopivien astioiden kokeileminen
12	– Tätä ei voi tehdä mikroaaltouunissa
13	Puhdistaminen ja hoito
13	Mikäli mikroaaltouuni ei toimi
	Takuu
	Huolto ja varaosat

Turvallisuusmääräyksiä

Asennuksen ja huollon yhteydessä

- Uuni on tarkoitettu kotitalouden normaaliin ruoanlaittoon. Mikäli sitä käytetään muuhun tarkoitukseen, saattaa syntyä vahingonvaara henkilölle ja/tai omaisuudelle.
- Rikkinäistä uunia ei saa koskaan käyttää. Uuni tehdään jännitteettömäksi irrottamalla pistotulppa pistorasiasta (vetämällä pistotulpasta, ei koskaan johdosta).
- Mikäli uunissa on vikaa tai se toimii huonosti, ota yhteys valtuutettuun huoltoliikkeeseen uunin korjaamiseksi. Varmista, että alkuperäisiä varaosia käytetään.
- Rikkoutunutta uunia ei koskaan saa itse muuttaa tai korjata. Asennustyöt, liitosjohdon pidentäminen j n e., on annettava ammattitaitoisen henkilön tehtäväksi.
- Riittämättömällä ammattitaidolla suoritettu työ saattaa heikentää uunin toimintaa ja johtaa henkilö- ja/tai aineellisiin vahinkoihin.

Mikroaaltouunia käytettäessä

- Uuni on tarkoitettu aikuisten käytettäväksi. Lasten ei anneta leikkiä uunin kanssa eikä pieniä lapsia jätetä ilman valvontaa toimivan uunin läheisyyteen.
- Mikroaaltouunia ei missään olosuhteissa saa käyttää uunin luukku avattuna tai luukun turvakytkimien ollessa pois toiminnasta. Turvakytkimien ja lukitusmekanismin toimintaa ei saa muuttaa.

- Uunia ei saa koskaan käynnistää, mikäli luukku ei sulkeudu kunnolla. Puhdista luukun sisäpinta ja tiivisteet säännöllisesti.
- Mikroaaltouunia ei saa käyttää, mikäli uunin luukku tai luukun tiiviste ovat vaurioituneet. Käyttö on sallittua vasta kun valtuutettu huoltoliike on korjannut uunin.
- Uunia ei saa käyttää tyhjänä, koska se saattaa vaurioitua, aseta kupillinen vettä uuniin käyttökokeilun ajaksi.
- Toiminnassa oleva uunia ei saa koskaan jättää ilman valvontaa. Uunin luukku on ehdottomasti pidettävä suljettuna, mikäli uunissa jokin syttyä palamaan. Lisäksi uunista katkaistaan virta välittömästi. Tällöin mahdollisesti syttynyt tuli tukahtuu, älä koskaan käytä vettä.
- Ruokaöljyä tai rasvaa ei saa kuumentaa uunissa, koska niiden lämpötilaa on vaikea valvoa. Popcornien kanssa on oltava varovainen. Ne saattavat ylikuumentua ja syttyä palamaan.

Mikroaaltouunin romutuksessa

- Mikroaaltouunin romutuksen yhteydessä vältytään vahingoilta, mikäli menetellään seuraavasti. Irrota uunin liitosjohdon pistotulppa pistorasiasta. Katkaise tämän jälkeen liitosjohto uunin puoleisesta päästä. Ota tarvittaessa yhteys kuntasi jätehuoltoasioita hoitavaan viranomaiseen.

Tärkeää tietoa

- Uunin lasisen kuumennusalustan on aina oltava paikallaan uunissa.
- Veden tai muiden nesteiden kuumentamisessa lämpötila saattaa nousta yli 100°C ilman, että neste alkaa kiehua. Tämä ylikuumennus saattaa aiheuttaa, että neste äkkiä kiehahtaa astiaa kosketeltaessa.
- Tämän estämiseksi nestettä voi sekoittaa tai astiassa voi pitää lusikka kuumennuksen aikana (metallilusikkaa voi käyttää nesteessä, kunhan se sijoitetaan siten, ettei lusikka kosketa uunin seinämiä, jolloin saattaa syntyä kipinöintiä). Nesteen voi myös antaa seistä 20 sekuntia lämpötilan tasoittumiseksi, ennen kuin astia otetaan uunista. Käytä patalappuja!
- Metallisia ruokailuvälineitä tai astioita tai astioita, joissa on metallikoriste, ei saa käyttää. Kipinöinti vaurioittaa uunia ja/tai astiaa.
- Metalliset sulkimet tai sulkimet, jotka sisältävät metallia, saattavat aiheuttaa kipinöintiä ja sulkijat on sen vuoksi poistettava pakkauksista, ennen kuin pakkaus pannaan uuniin.
- Varmista, etteivät tölkit tai pakkaukset ole liian tiiviisti suljettuja. Näin estetään ylipaineen muodostuminen kuumennuksen aikana.

Vauvanruoan kuumentamisessa on oltava varovainen. Poista tölkin kansi ja tuttipullon tutti ennen kuumentamista. Ruoan tai nesteen lämpötila on aina tarkoin tarkistettava, ennen kuin niitä annetaan lapsille.

Pakkauksen purkaminen ja varusteluettelo

Pakkauksen purkaminen

Tarkista, ettei pakkauksessa eikä uunissa ole kuljetusvaurioita.

Mahdollisista kuljetusvaurioista on välittömästi ilmoitettava myyjäliikkeeseen.

Uunin ulkovaippa on peitetty suojakelmulla. Kelmu on poistettava ennen kuin uunia käytetään ensimmäistä kertaa.

Tarkista pakkauksen purkamisen yhteydessä, että tuote on virheetön. Vahingoista, virheellisyyksistä ja mahdollisesti puuttuvista osista on välittömästi ilmoitettava myyjäliikkeeseen.

Pakkausmateriaalia ei saa jättää siten, että lapset voivat leikkiä sillä.

Varusteluettelo

- 1 Pyörivä lasinen kuumennusalusta
- 1 Lasisen kuumennusalustan pyörä
- 1 Käyttöohje

Tekniset tiedot

Ulkomitat:

Korkeus 287 mm

Leveys 485 mm

Syvyys 422 mm

Uunitilan mitat:

Korkeus 206 mm

Leveys 335.8 mm

Syvyys 314 mm

Paino 14.4 kg

Jännite 230 V, 1-vaihe, 50 Hz

Sulake 10 A

Liitäntäteho 1250 W

Mikroaaltoteho 800 W

Tilavuus 21 l

Asennus

Sijoittaminen

1. Si joita uuni suoralle ja tukevalle alustalle. Uunin ilmanvaihdon on oltava riittävä joka puolelta. Uunia ei saa sijoittaa lähelle muita lämpölähteitä, esim. liedon tai lämpöpatterin viereen.
2. Uunin ilmanvaihtoaukkoja ei saa peittää. Tällöin uuni saattaa ylikuumentua ja terminen ylikuumentuminen saattaa toimia. Uunin sivuilla ja takana on oltava vähintään 3–5 cm ja yläpuolella vähintään 5 cm vapaata tilaa riittävän ilmankierron varmistamiseksi. Uunin jalat ei saa poistaa.
3. Poista kaikki pakkausmateriaali uunin sisältä ja aseta uunin lasinen kuumentusalusta uunin pohjalle. Uunia ei saa käyttää ilman paikallaan olevaa lasialustaa.
4. Ennen kuin käytät uunia, pyyhi se sisältä, luukun sisäpinnalta ja tiivistepinnoilta kostealla liinalla.
5. Uunin pienten ulkomittojen ansiosta sen voi sijoittaa melkein mihin tahansa työtasolle, pöydälle tai viedä kesämökille. Tarkista aina, että uuni sijoitetaan suoraan ja vankalle alustalle. Tarkista myös, että uunin jalat ovat paikallaan ja että uunin ilmanvaihto on riittävä.

Kalusteisiin sijoittaminen

Uunin voi ripustaa seinäkaapin alle HK 3-ripustustelineellä.

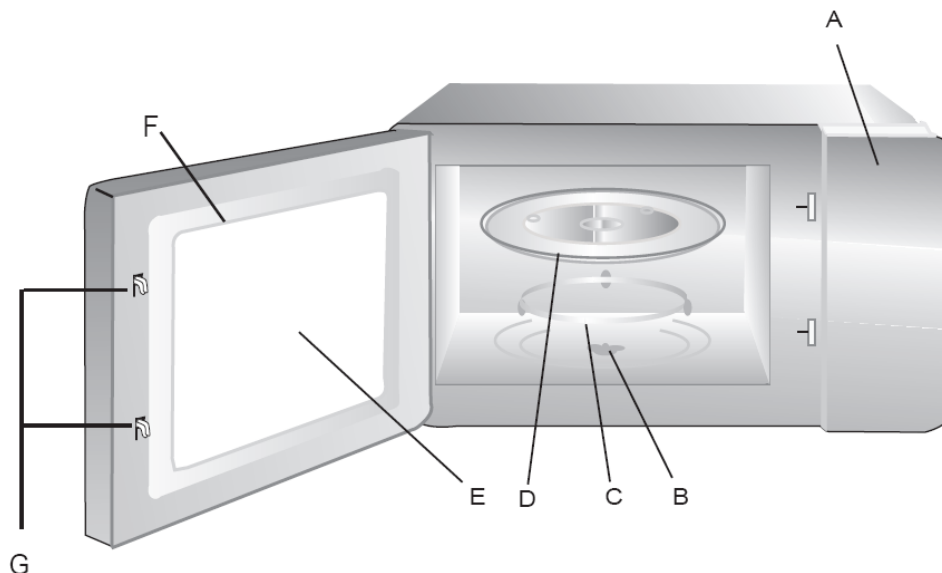
Sähköliitäntä

Uunissa on pistotulpallinen liitosjohto. Uuni liitetään 230 V jännitteeseen 50 Hz sähköverkkoon pistotulpalla pistorasiaan, jota suojaa 10 A sulake. Tarkista, että uunin arvokilpeen merkitty ja sähköverkon jännite on sama.

Mikroaaltouunissa on erikoisliitosjohto, joka on vaihdettava samantyyppiseen, mikäli se vaurioituu. Liitosjohto on saatavissa valtuutetuilta huoltoliikkeiltä, joiden myös pitää suorittaa sen asennus.

Mikroaaltouunin käyttö

**Electrolux-mikroaaltouuni on helppokäyttöinen.
Se käynnistyy, kun haluttu teho ja aika on valittu.**



Uuni

- A. Ohjauspaneeli
- B. Pyörittimen tuki
- C. Lasisen kuumennusalustan pyöritin
- D. Pyörivä lasinen kuumennusalusta
- E. Luukun ikkuna
- F. Luukku
- G. Luukun lukitussalva

Varusteet

Pyörivä kuumennusalusta

On tärkeää, että lasinen kuumennusalusta on **aina** paikallaan kuumennuksen aikana, koska tällöin lopputulos on paras mahdollinen. Lasinen alusta pyörii joko vasta- tai myötäpäivään. Alustan voi pestä tiskikoneessa.

Kuumennusalustan pyöritin

Pyöritin asetetaan alustan alle, jotta alusta pyörii. Pyörittimen ja alustan on **aina** oltava paikallaan uunissa uunia käytettäessä. Pyörittimelle ei koskaan saa asettaa mitään muuta astiaa tai alustaa. Pyöritin on konepesun kestävä.

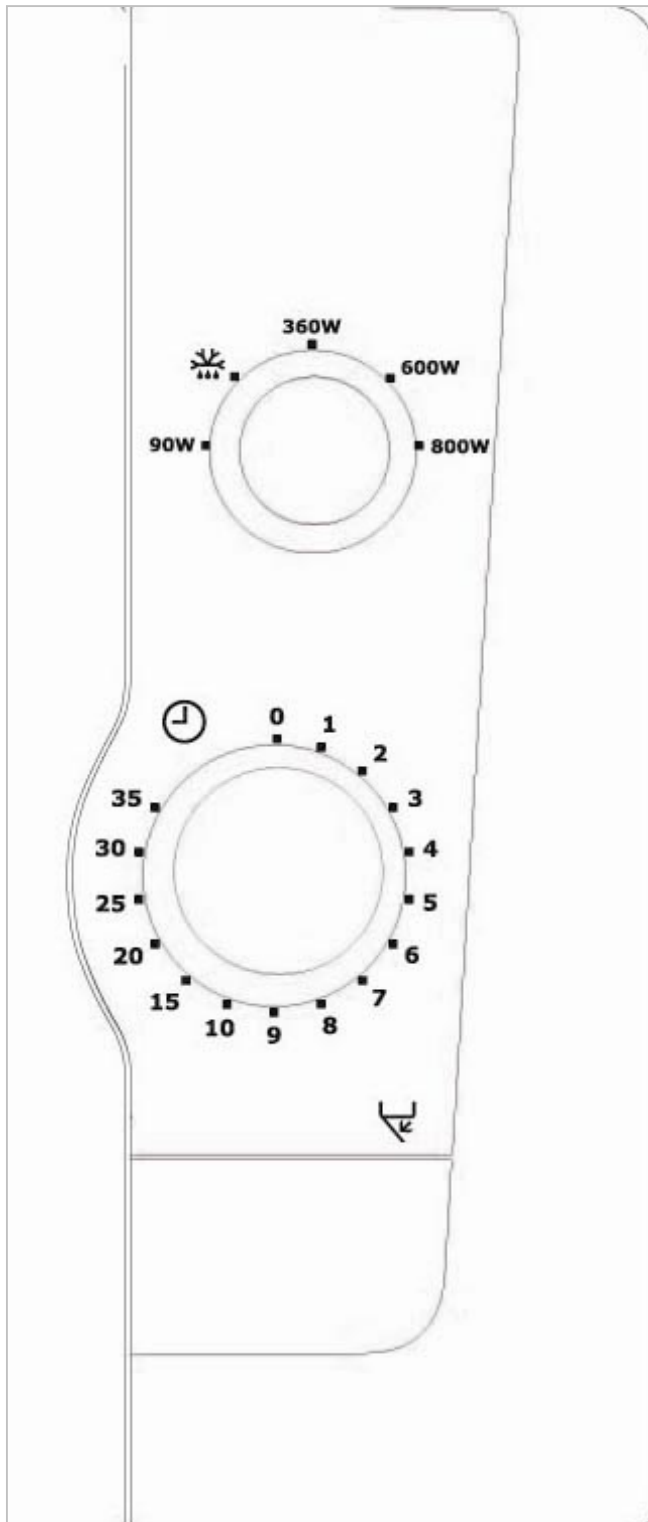
Pyörivän kuumennusalustan asettaminen paikalleen

1. Aseta alustan pyöritin uunin pohjalle.
2. Aseta alusta pyörittimelle. Tarkista, että alustan keskellä oleva syvennys asettuu uunin pohjassa olevaan tukeen.

Alustaa ei koskaan saa asettaa ylösalaisin paikalleen.

Pyörivä kuumennusalusta irrotetaan painamalla reunasta kuvan osoittamalla tavalla.

Ohjauspaneeli



Uunia ei saa käyttää tyhjänä. Kun kokeilet toimintaa, aseta kupillinen vettä uuniin.

Ajanvalitsin

Tehonvalitsin

Pyörivä kuumennusalusta

On tärkeää, että kuumennusalusta on paikallaan uunissa, koska pyörivä alusta edesauttaa tasaisen lopputuloksen saavuttamista.

Ruoanvalmistuksen keskeyttäminen

Uunin luukun voi avata ruoanvalmistuksen aikana painamalla luukun aukaisinta. Tällöin uuni lakkaa toimimasta. Kun luukku suljetaan uudelleen, uuni jatkaa toimimista jäljellä olevan ajan. Mikäli uunin toiminta halutaan lopettaa, ennen kuin valittu aika on kulunut, ajanvalitsin käännetään 0-asentoon.

Ruoan valmistaminen

1. Aseta ruoka sopivaan astiaan. Ks. sivulta 12, mitkä astiat sopivat. Sulje luukku.
2. Valitse haluttu mikroaaltoteho kääntämällä tehonvalitsinta sen lukeman kohdalle, mikä vastaa haluttua tehoa, ks. allaolevaa taulukkoa.
3. Valitse aika kääntämällä ajanvalitsinta halutun aikalukeman kohdalle. **Uuni alkaa välittömästi toimia.** Vääntimen merkinnät merkitsevät minuutteja. Mikäli valitset lyhyen ajan, 2 min tai lyhyemmän, käännä ajanvalitsinta ensin suuremman lukeman, esim. 4- tai 5- lukeman kohdalle, ja sen jälkeen haluamaasi pienempään aikalukemaan.
4. Kun valittu aika on kulunut, kuuluu merkkiäni ja uuni lakkaa toimimasta.

Ohjeita tehon valitsemiseen

90W	Pakastetun lihan, kalan ja valmiin ruoan sulattaminen.
180W	Pakastetun lihan, kalan ja valmiin ruoan sulattaminen.
360W	Pakastettujen leivonnaisten sulattaminen ja kuumentaminen. Kastikkeiden kiehauttaminen.
600W	Suurempien ruokamäärien sekä ruokien, joita ei voi sekoittaa, esimerkiksi laatikkoruoat, kuumentaminen ja kypsentyminen. Ruoan nopea kuumentaminen ja kypsentyminen, esim. kala sekä vihannekset.
800W	Ruoan nopea kuumentaminen ja kypsentyminen, esim. kala sekä vihannekset. Juomien ja valmiin ruoan nopea kuumentaminen.

Muista

- Mitä isompi määrä, sitä pidempi kuumennus/kypsennysaika.
- Kylmät elintarvikkeet kuumenevat/kypsyvät hitaammin kuin huoneenlämpöiset.
- Huokoiset elintarvikkeet tarvitsevat lyhyemmän kuumennus-/kypsennysajan kuin kiinteät.
- Paljon vettä sisältävät ruoat kypsyvät hitaammin.
- Suolaa lisätään vasta kypsennyksen jälkeen. Suola kuivattaa ja esim. lihasta tulee sitkeää.
- Ruoan annetaan seistä vähintään 5 minuutin ajan lämpötilan tasoittumiseksi. Tasoittumisaika riippuu ruoan määrästä ja koostumuksesta. Suuri määrä kiinteää ruokaa vaatii pidemmän ajan kuin pieni määrä huokoista ruokaa.
- On hyvä valita ohjeessa mainittu lyhin aika ja tarvittaessa lisätä aikaa. Tällöin ruokaa ei kuumenneta/kypsennetä liikaa yhtä helposti.

Käytännön neuvoja ja vihjeitä

Yleisiä vihjeitä

Erilaisissa mikroaaltouunin keittokirjoissa on monta hyvää ohjetta ja vihjetä erilaisten ruoanvalmistus- ja leivontavaiheiden helpottamiseksi. Aloita aina valitsemalla ohjeissa ja taulukoissa oleva lyhin aika.

- Omia ohjeita voi myös käyttää. Suolan, mausteiden ja nesteen määrää on syytä vähentää, mitkään ei kiehu pois.
- Suurin osa ruoista kypsyy omassa liemessään. Kuivat ainekset, kuten riisi ja pavut tarvitsevat tietysti nestettä.
- Ruoka peitetään kuumennuksen/kypsennyksen ajaksi, jolloin ruoan kosteuspitoisuus säilyy. Uunikaan ei tällöin likaannu.
- Pakastettuja leivonnaisia voi sulattaa ja kuumentaa esim. leipäkorissa (tarkistettava, ettei korissa ole metalliniittejä ym.) tai talouspaperilla. Hillotäyte kuumenee aina enemmän kuin muu osa leivonnaisesta.
- Pekonia ei saa valmistaa suoraan lasialustalla. Pekonin ja lasialustan lämpötilan erot ovat liian suuret ja alusta saattaa vaurioitua.
- Makkaran, omenan ja perunan kuori sekä maksan ja kananmunan keltuaisen kalvo on pisteltävä esim. haarukalla ennen kypsennystä, muutoin kuori ja kalvo halkeaa.

Valmistaminen ja kuumentaminen

- Tarkista, että pakaste on sulanut kunnolla ennen kuin aloitat ruoan valmistaminen.
- Poista lihasta mahdollinen rasva.
- Aseta kypsennettävien aineiden ohuimmat osat astian keskustaa kohti.
- Kypsennysaikaa on muunneltava riippuen kypsennettävien aineiden lämpötilasta (huoneenlämpöinen tai jääkaappikylmä) sekä oman maun ja tottumuksen mukaan.
- Sekoita pataruokia, kastikkeita yms. ruokia kypsennyksen aikana, tasaisemman lopputuloksen saavuttamiseksi.

Pakasteiden sulattaminen

- Liha voidaan sulattaa pakkauksessaan. Kaikki metallia sisältävät osat on poistettava pakkauksesta.
- Sulatettavan ohuimmat osat asetetaan astian keskustaa kohti.
- Pakasteen sulattamisen jälkeen saattaa pakasteen keskiosassa vielä olla jäisiä kohtia. Tämän vuoksi sulatetun pakasteen annetaan vielä hetken seistä, ns. lämpötilan tasoitusjakson ajan, ennen kuin siitä valmistetaan ruokaa.

Astioiden sopivuus mikroaaltouunikäyttöön riippuu astioiden raaka-aineesta.

Eräät muovit tulevat veltoiksi. Toiset muovit ja keramiikka saattavat haljeta, varsinkin pieniä ruokamääriä kuumennettaessa. Metallia astioita ei saa käyttää.

POSLIINI – Useimmat posliiniasiat sopivat, poikkeuksena astiat, joissa on metallikoriste. Kulta- tai hopeakoriste vaurioituu. Eräät posliinilasitteet sisältävät myös metallia. Varmuuden saamiseksi, kokeile astioiden sopivuus alla annetun ohjeen mukaan.

LASI – Lasi sopii yleensä hyvin. Ei kuitenkaan kristalli- eikä värilliset lasit.

MUOVI – Muovimukeja tai tölkkejä voi käyttää varovaiseen kuumentamiseen, muttei ruoan kypsennykseen.

Useimmat talousmuovit eivät kestä 90°C korkeampaa lämpötilaa. Muoviastioiden lämmönkestävyys on syytä tarkistaa.

Mikroaaltouunikäyttöön sopivien astioiden kokeileminen

Astian sopivuus kokeillaan asettamalla astia uunin sisään keskelle. Aseta kahvikupillinen vettä astian viereen. Valitse täysteho ja yhden minuutin

SAVIASITAT – Kivitavara- ja saviastioita voi käyttää. Paljon käytössä oleva ruskea savipata liotetaan ensin vedessä, kuten normaalisti tavallisessa uunissa käytettäessä.

METALLI – Metalliasiat eivät sovi ruoanvalmistusastioiksi mikroaaltouunissa. Mikroaallot eivät läpäise metallia, joten mikroaallot pääsevät kuumentamaan/kypsentämään vain päältä eikä hyvää tulosta saavuteta.

Mikäli metalliasia tai alumiinifoliota asetetaan mikroaaltouuniin liian lähelle uunin seinämiä, saattaa syntyä kipinöintiä, mikä aiheuttaa polttojälkiä sisävaippaan. Muista myös aina poistaa teepussien ja leipäpakkauksien metalliosat.

toiminta-aika. Valitun ajan kuluttua astian ei pidä mistään kohtaa olla kädenlämpöä kuumempi. Tällöin sitä voi käyttää mikroaaltouunissa.

Tätä ei voi tehdä mikroaaltouunissa

- Paistaa hiivataikinoita – leivonnaiset eivät saa väriä.
- Valmistaa kohokkaita.

- Kypsentää kananmunaa kokonaisuutena eikä kuumentaa jo keitettyä kananmunaa.

- Käyttää tavallista paistomittaria. Mikroaaltouunikäyttöön soveltuvia erikoismittareita on saatavissa liikkeistä.

Puhdistaminen ja hoito

• Uunin puhdistamiseen ei saa käyttää uuninpuhdistusaineita eikä muita syövyttäviä tai naarmuttavia aineita. Uunin ulko- ja sisävaippa pyyhitään kostealla liinalla, joka on kasteltu lämpimään veteen, missä on käsitiskiainetta.

• Uunista pyyhitään sisätilaan mahdollisesti tiivistynyt kosteus, pehmeällä liinalla tai talouspaperilla.

Mikäli mikroaaltouuni ei toimi

Ellei uuni seuraavista tarkistuksista huolimatta toimi oikealla tavalla, ota yhteys valtuutettuun huoltoliikkeeseen.

Ennen kuin otat yhteyttä huoltoon:

tarkista, että pistotulppa on pistorasiassa ja että sulake on ehjä. Älä tee uunille mitään toimenpiteitä, jotka voivat aiheuttaa vaurioita henkilölle tai tuotteelle.

- Onko uuni kytketty sähköverkkoon?
- Onko pistorasiaa suojaava sulake ehjä?
- Onko luukku kunnolla suljettu?
- Onko kuumennus/kypsennysaika valittu?

Takuu

Laitteen takuu-aika on kaksi (2) vuotta.

Takuuehdot noudattavat alan yleisiä ehtoja ja niitä on saatavissa joko myyjäliikkeestä tai maahantuojalta.

Ostokuitti on säästettävä takuuajan alkamispäivän määrittämiseksi.

Huolto ja varaosat

Huollot, varaosatilaukset ja mahdolliset korjaukset on annettava valtuutetun huoltoliikkeen tehtäväksi. Lähimmän valtuutetun huoltoliikkeen numeron löydät soittamalla numeroon

0200-2662 (0,1597 €/min) + pvm), * tai katsomalla puhelinluettelon keltaisilta sivuilta kohdasta "kodinkoneiden huolto".

Varmistaaksesi laitteesi moitteettoman toiminnan, vaadi aina käytettäväksi sopivinta, siis alkuperäistä varaosaa.

* Mainitse soittaessasi tuotteen merkki. Kopioi arvokilvestä tuotteen tiedot alla olevaan kohtaan, niin ne löytyvät helposti, jos sinun pitää ottaa yhteys huoltoliikkeeseen.

Malli (Model).....

Tuotenumero(Prod.nr.).....

Sarjanumero(Serial nr.).....

Kuluttajaneuvonta

Tuotettasi tai sen käyttöä koskeviin kysymyksiin saat vastauksen kuluttajaneuvonnastamme soittamalla numeroon **0200-2662 (0,1597 €/min+pvm)**

Voit olla myös yhteydessä kuluttajaneuvontaan sähköpostitse osoitteessa:

Carelux.fsh@electrolux.fi

Side Innhold

4	Opplysninger om sikkerhet <ul style="list-style-type: none">– Ved installasjon og service– Ved bruk av mikrobølgeovnen– Ved kassering av ovnen
5	– Viktig å vite
5	Utpakking og tilbehørsliste <ul style="list-style-type: none">– Utpakking– Tilbehør
5	Tekniske data
6	Installering <ul style="list-style-type: none">– Plassering– Elektrisk tilkopleing
7	Slik bruker du mikrobølgeovnen <ul style="list-style-type: none">– Ovn– Tilbehør
7	– Installasjon av den roterende glasstallerkenen
8	– Kontrollpanelet
9	– Den roterende glasstallerkenen
	– Stoppe og avbryte tilberedningen
	– Tilberedning
	– Veiledning for valg av effekt
10	– Husk
10	Praktiske tips <ul style="list-style-type: none">– Generelt– Tilberedning– Opptining
11	– Hvordan fungerer mikrobølgeovnen?
	– Økonomisk
	– Passende kokekar
	– Slik prøver du om et kar kan brukes i mikrobølgeovnen
	– Dette kan du ikke gjøre i mikrobølgeovnen
12	Slik vedlikeholder du ovnen og forlenger levetiden <ul style="list-style-type: none">– Rengjøring og vedlikehold
12	Hvis mikrobølgeovnen ikke virker <ul style="list-style-type: none">– Før du kontakter servicemannen
12	– Forbrukerkjøp
	– Service og reservedeler

Opplysninger om sikkerhet

Ved installasjon og service

- Ovn er beregnet for matlaging i husholdningen. Brukes den for andre formål kan det oppstå risiko for skade på person og/eller eiendom.
- En skadet ovn må aldri brukes. Gjør ovnen strømløs ved å trekke støpslet ut av stikkontakten (trekk bare i støpselet, aldri i ledningen!), eller skru sikringen løs fra sikringsskapet hvis ovnen er fast installert.
- Ved feil eller dårlig funksjon skal autorisert serviceverksted kontaktes for reparasjon. Pass på at det brukes originaldeler.
- Forsøk aldri selv å forandre eller reparere feil ved ovnen. Arbeid som utføres av person uten fagkunnskap kan svekke ovnen og føre til skade på person og/eller eiendom. Slik skade omfattes ikke av forbrukerrettighetene.
- Installering, forlengelse av kabel etc. skal utføres av fagmann.

Ved bruk av mikrobølgeovnen

- Ovn skal brukes av voksne. La ikke barn leke med ovnen og la ikke småbarn være uten tilsyn i nærheten av en ovn som er igang.
- Mikrobølgeovnen må under ingen omstendigheter brukes med ovnsdøren åpen, eller med dørens sikkerhetsbrytere ut av funksjon. Sikkerhetsbryterne eller låsemekanismen må aldri røres.
- Start aldri ovnen hvis noe er kommet i klemme i ovnsdøren. La ikke mat eller smuss samle seg på dørens tetningsflater.
- Mikrobølgeovnen må ikke brukes med skadet ovnsdør eller dørpakning før den blir reparert av servicemann.
- Mikrobølgeenergi kan stråle fra magnetronen eller annen mikrobølgeproduserende anordning ved feilkopling eller feil bruk. Alle mikrobølgeinntak og uttaksforbindelser, flenser og pakninger, må være sikkerhetsmessig betryggende utført. Anordningen må aldri startes uten mikrobølgeabsorberendebelastning. Se aldri inn mot en åpen bølgeleder eller antenne mens apparatet er i drift.

- Ovn må ikke startes når den er tom, da dette kan føre til skade. For å prøve den kan du sette inn en kopp med vann for å absorbere mikrobølgeeffekten.
- Forlat aldri ovnen uten tilsyn ved f.eks, baking av poteter, smelting av stearin, koking av knekk, varming av mat i papir eller annet brennbart materiale, siden slike produkter ved lang oppvarmingstid kan bli så varme at de kan ta fyr. La i så tilfelle døren være lukket og slå ovnen helt av slik at eventuell flamme kveles, bruk aldri vann!
- Varm ikke matolje eller fett i ovnen da det ikke er mulig å kontrollere temperaturen. Vær også forsiktig med popcorn. Bruk ikke ovnen til å tørke gjenstander. De kan lett bli for varme og ta fyr.

Ved kassering av ovnen

- Hjelp til å unngå skade selv når mikrobølgeovnen skal kasseres. Ta ledningen ut fra vegguttaket og kapp av ledningen like ved ovnen. Kontakt eventuelt kommunen for å få vite hvordan produktet skal kasseres.

Pass på at du ikke brener deg!

Viktig å vite

- Bruk alltid glassfatet i bunnen av ovnen.
 - Ved overoppvarming av vann eller visse drikkevarer kan det hende at temperaturen stiger til over 100°C uten at væsken begynner å koke. Denne overoppvarmingen kan føre til at væsken plutselig koker over når karet berøres.
 - For å hindre dette kan man røre i væsken, eller ha en skje i karet under oppvarmingen – det kan gjerne brukes metallskje i væsken, men sett den da inn slik at den ikke berører ovnsveggene da dette kan gi gnister – eller la væsken stå minst 20 sekunder for at temperaturen skal jevne seg ut før du tar den ut.
- Bruk grytelapper.

Vær forsiktig ved oppvarming av barnemat. Ta bort lokket eller håndtak på bokser og flasker før de varmes opp og kontroller temperaturen nøye før maten gis til småbarn.

- Bruk aldri bestikk eller kar av metall eller metalldekor. Det kan da oppstå gnister som kan ødelegge ovnen og/eller karet.
- Metallklemmer eller tilslutninger som inneholder metalltråder kan også danne gnister i ovnen, og bør derfor fjernes.
- Pass på at bokser eller forpakninger ikke er tett tilsluttet når de oppvarmes i ovnen da det lett kan oppstå overtrykk.

Utpakking og tilbehørsliste

Utpakking

Kontroller at emballasjen og ovnen ikke er blitt skadet under transporten.

Eventuelle transportskader skal umiddelbart meldes til den som hadde ansvaret for transporten.

Kontroller etter utpakkingen at ovnen er feilfri. Skader, feil og eventuelt manglende deler skal umiddelbart meldes til selger. La ikke emballasjen ligge slik at små barn kan leke med den.

Tilbehør

- 1 stk. Roterende glasstallerken
- 1 stk. Støtte for den roterende glasstallerkenen
- 1 stk. Bruksanvisning

Tekniske data

Utvendige mål:

Høyde	287 mm
Bredde	485 mm
Dybde	422 mm

Ovnsvolum:

Høyde	206 mm
Bredde	335.8 mm
Dybde	314 mm

Vekt	14.4 kg
Spenning	230 V, 1-fase 50 Hz

Sikring	10 A treg
Tilkoblingseffekt	1250 W
Mikrobølgeeffekt	800 W
Volum	21 Liter

Vi reserverer oss for endringer.

Installering

Plassering

1. Ovnens plassering skal være på et plant og stabilt underlag med god ventilasjon rundt ovnen. Sett ikke ovnen nær andre varmekilder som komfyr eller ovn.
2. Blokkér ikke ovnens ventilasjonsåpninger da dette kan føre til overoppvarming, slik at ovnen slår seg automatisk av ved hjelp av den termiske beskyttelsessikringen. Ovnens bunn bør ha minst 5 cm fri plass til nærmeste vegg og tak for å få tilstrekkelig ventilasjon. Føttene må ikke tas bort. Ovnens bunn kan også henges under overskapet eller på vegg. Konsoller for dette finnes som ekstrautstyr.
3. Ta bort eventuelt emballasjemateriale inne i ovnen.
OBS! Ta ikke bort plastfilmen på innersiden av døren. Denne skal under bruk beskytte imot sprut og varme. Ovnens bunn må ikke brukes uten at den roterende tallerkenen er på plass i bunnen. Les om hvordan tallerkenen og støtte for denne monteres lenger fremme i boken.
4. Tørk av ovnen innvendig og døren på innsiden, samt tetningslistene, med en fuktig klut, før ovnen tas i bruk. Siden ovnen er så kompakt kan den plasseres nesten hvor som helst på kjøkkenbenken et bord eller tas med på hytta. Vær alltid nøye med at ovnen står plant og på et stabilt underlag. Pass også på at ovnens føtter er på plass for at den skal få tilstrekkelig ventilasjon.

Elektrisk tilkøpling

Ovnen leveres med ledning og støpsel for egen, jordet tilslutning til 230 V, 50Hz og 10A treg sikring.

Kontroller at ovnens spenning stemmer med spenningen fra veggkontakten.

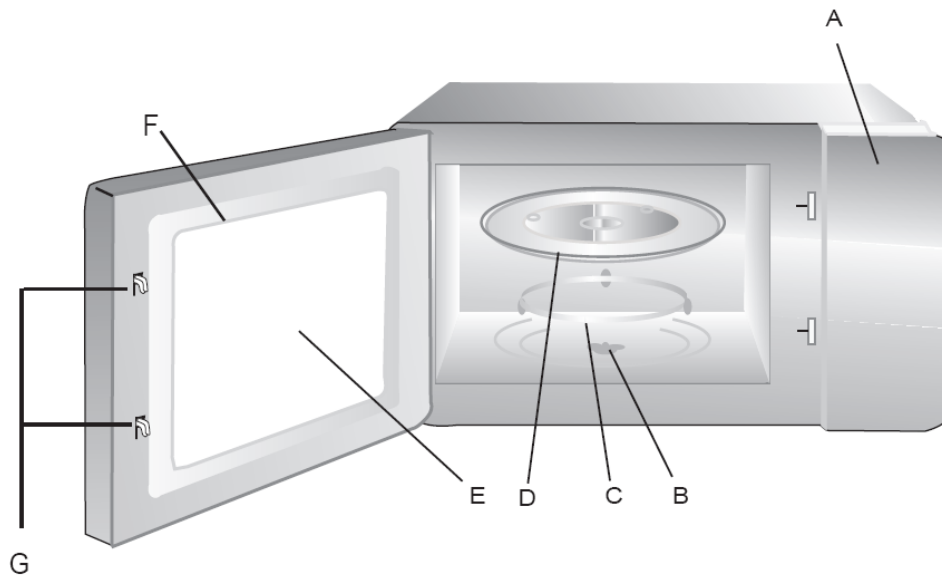
Mikrobølgeovnen trekker mye strøm i starten og må derfor tilkoples et jordet, eget vegguttak. Andre større apparater som kjøleskap, dypfryser, komfyr, oppvaskmaskin og lignende må derfor ikke tilkoples samme sikring. Eventuelle automatsikringer på stedet skal oppfylle tilsvarende krav.

Mikrobølgeovnen er utstyrt med en spesialledning som ved eventuell skade må skiftes ut med en som er av samme type. Slik ledning fås ved henvendelse til leverandøren.

Bruk av skjøteledning bør unngås. Hvis det brukes skjøteledning ved ovnen skal denne også være jordet.

Koples ovnen til et vegguttak som ikke er jordet kan det oppstå risiko for elektrisk støt som kan føre til skade på person og/eller eiendom. Kontakt en fagmann hvis det er tvil om den elektriske tilkøplingen.

Installering



Ovnen

- A. Kontrollpane
- B. Feste for den roterende tallerkenen
- C. Støtte for den roterende glasstallerkenen
- D. Roterende glasstallerken
- E. Vindu
- F. Ovnsdør
- G. Dørlås, Sikkerhetsbryter

OBS! Trekk i håndtaket for å åpne ovnsdøren

Tilbehør

Den roterende glasstallerkenen

Det er viktig at glasstallerkenen er på plass i ovnen ved alle typer mattilberedning, da denne sørger for jevn fordeling av mikrobølgene ved at den roterer.

Tallerkenen roterer medurs eller moturs. Den kan vaskes i oppvaskmaskin.

Støtte for glasstallerkenen

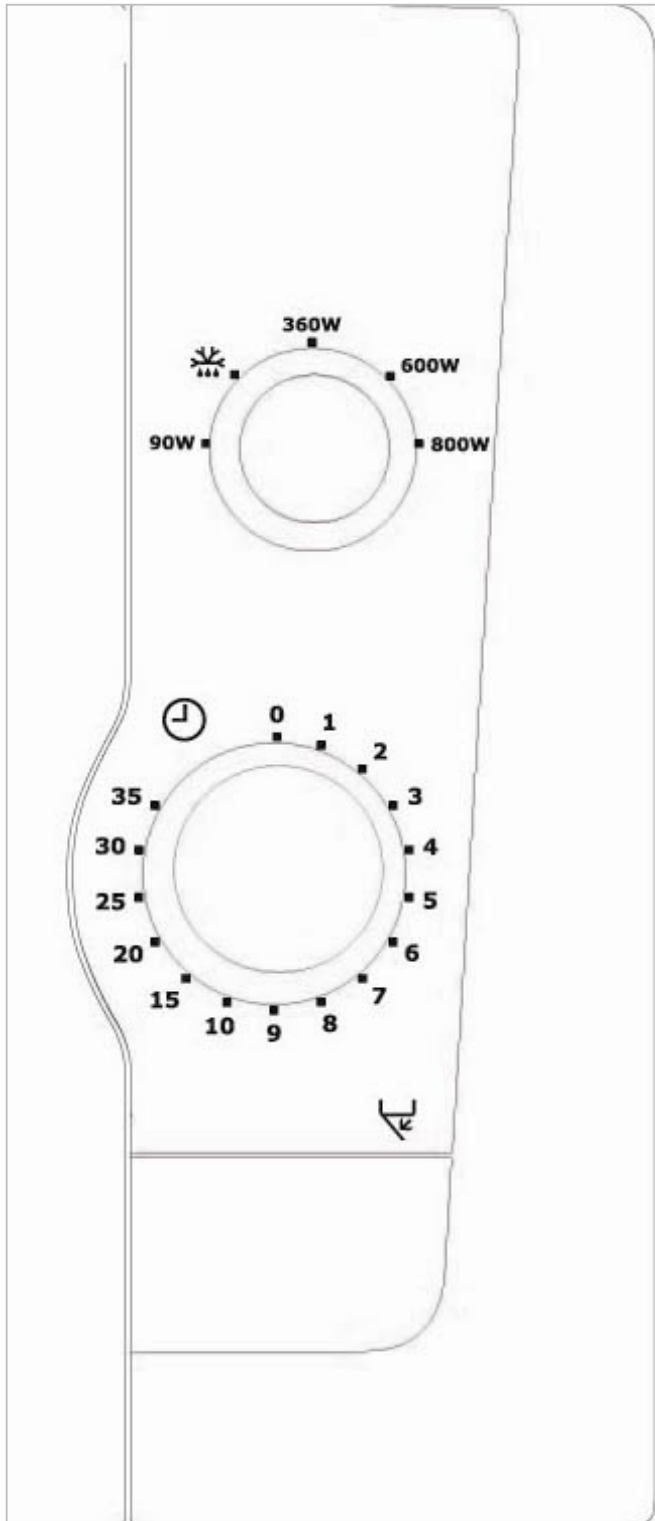
Støtten plasseres under tallerkenen for at den skal kunne rotere. Støtten og glasstallerkenen skal alltid være på plass i ovnen ved alle typer mattilberedning. Sett aldri noe annet tilbehør enn glasstallerkenen på støtten. Støtten kan vaskes i oppvaskmaskin.

Installasjon av den roterende glasstallerkenen

1. Plasser støtten på ovnsbunnen.

2. Plasser tallerkenen på støtten. Pass på at hullet i senter av tallerkenen låses i festet på ovnsbunnen.

Plasser aldri tallerkenen oppned.



Kontrollpanelet

Ovnen må ikke startes når den er tom.
Hvis du vil prøve den kan du sette inn en kopp med vann.

Tidsinnstilling.

VALG AV EFFEKT

Vri knappen for å velge passende effekt.

Den roterende tallerkenen

Det er viktig at glastallerkenen alltid er på plass i ovnen, da den fordeler mikrobølgene jevnt i maten, mens den roterer.

Stoppe og avbryte tilberedningen

Døren kan åpnes under tilberedningen ved å trykke på knappen som åpner døren. Da stanser ovnen. Når døren lukkes igjen fortsetter ovnen med tiden som er igjen av den innstilte tiden. For å stanse ovnen før innstilt tid dreies knappen tilbake til null (0).

Tilberedning

1. Plasser maten i en passende form. (Se side 12, om hvilke fat som kan brukes.)
2. Velg ønsket effekt ved å dreie på effektvelgerknappen, avhengig av hva du skal tilberede i ovnen. Se tabellen nedenfor.
3. Still inn tiden med knappen for tidsinnstilling. **Ovnen starter så fort du begynner å dreie knappen.** Markeringene på knappen representerer minutter.
4. Når tiden er utløpt høres et signal og ovnen slår seg automatisk av.

Veiledning for valg av effekt

90W	Oppvarming av bakverk.
180W	For manuell optining, småkoking av sauser.
360W	For oppvarming av allerede tilberedt mat.
600W	For tilberedning av retter som inneholder egg og ost, samt gryteretter og forsiktig oppvarming. For tilberedning og oppvarming av større mengder.
800W	For tilberedning og oppvarming av større mengder, oppvarming samt retter som det ikke kan røres i, som f.eks. "Janssons Fristelse". For rask oppvarming og tilberedning av f.eks. fisk og grønnsaker.

HUSK

- Jo større mengde, jo lengre tid.
- Kalde matvarer tar lengre tid enn romtempererte matvarer.
- Porøse matvarer krever kortere tid enn kompakte matvarer.
- Matretter som inneholder mye vann tar kortere tid å tilberede.
- Tilsett salt etter at kjøttet er ferdig. Salt gjør ofte kjøttet seigt og tørt.
- La alltid retten stå minst fem minutter for at temperaturen skal jevne seg ut. Utjevningstemperaturen øker i forhold til rettens størrelse og konsistens.
- Det er bedre å velge kortest oppgitte tid i en oppskrift og siden øke den, enn å overkoke maten.

Praktiske tips

Generelt

Det fins mange gode kokebøker for mikrobølgeovner å få kjøpt, med mange gode tips og oppskrifter. Kontroller alltid hvilken mikrobølgeeffekt som skal brukes for oppskriften. Hvis du er i tvil, bør du alltid begynne med den korteste tilberedningstiden i oppskriften.

- Det er også lett å bruke egne oppskrifter, men reduser mengden av salt, krydder og vann. Ingenting koker jo bort.
- De fleste retter koker i sin egen seft. Tørre varer som ris og bønner trenger naturligvis væske.
- Dekk maten ved tilberedning og oppvarming for å holde på fuktigheten og unngå unødig tilsmussing.
- Bakverk kan tines direkte i brødkurven eller på husholdningspapir. Syltetøyfyll blir alltid mye varmere enn bakverket.
- Stek ikke bacon direkte på glasstallerkenen. For store temperaturforskjeller kan forårsake skader eller sprekker i tallerkenen.
- Pølser, epler, poteter, lever og eggeplommer er eksempler på matvarer som bør "prikkes" for å hindre at skallet sprekker.
- Før du begynner å tilberede maten må du passe på at den er skikkelig tint.
- Rens kjøttet for eventuelt fett.

Tilberedning

- Plasser de tynnere deler av det som skal tilberedes, mot midten av fatet.
- Tilberedningstiden kan variere, avhengig av matens temperatur, om den er romsvarm eller kjøleskapskald, samt etter smak og behag.
- Rør om i gryter, sauser og lignende for å få en jevnere tilberedning.
- Kjøttet kan tines i emballasjen. Pass på å fjern eventuelle deler av emballasjen som inneholder metalldeleler. Lag hull i vakumpakninger.

Opptining

- Plasser de tynnere delene av det som skal tines mot midten av fatet.
- Etter at opptiningstiden er slutt kan det fremdeles være is igjen i midten av maten. For beste resultat bør derfor maten få stå en stund i en såkalt utjevningstid.

Hvordan fungerer mikrobølgeovnen?

Den såkalte magnetronen i mikrobølgeovnen sender ut elektromagnetisk energi i form av radiobølger. Disse radiobølgene, med en spesiell bølgelengde, har evne til å sette fart på vannmolekylene som finnes i maten. Da molekylene gnis imot hverandre oppstår det friksjonsvarme som varmer opp maten. Tilberedning av mat i mikrobølgeovn gir derfor en rekke fordeler: Smakstoffer, vitaminer, mineraler og næringsstoffer forblir i maten. Dermed smaker den bedre og bevarer et friskere utseende. Til og med oppvarmede matrester smaker som nylaget. Det er ikke behov for ekstra fett eller vann. Dermed blir mikrotilberedt mat ekstra kalorifattig og du slipper unødig os.

Økonomisk

Mikrobølgene varmer kun selve maten. Avhengig av hva du lager og hvilken mengde, kan du spare opp til 75% energi sammenlignet med tradisjonell tilberedning. I stedet for å kaste matrestene, kan de fryses og senere varmes opp igjen når det passer. Det er kroner å spare på dette.

Passende kokekar

Kontroller at det er passende materiale i fatene som brukes. Visse plastmaterialer kan mykne og miste formen. Andre plastmaterialer og enkelte typer keramikk kan sprekke, spesielt hvis bare små matmengder varmes. Bruk ikke metallkar.

PORSELEN – De fleste typer porselen, unntatt de med metalldekor kan benyttes. Gull eller sølvdekor vil bli ødelagt. Det fins også porselensglasur som inneholder metall. Hvis du er usikker bør du prøve om karet kan brukes ved å følge metoden nedenfor:

GLASS – Alt glass kan brukes unntatt krystall og noen typer farget glass.

PLAST – Plastmugger eller bokser kan brukes til å varme, i men ikke til å koke i. De fleste plasttyper for husholdningsbruk tåler ikke mer enn 90°C. Kontroller hvilken temperatur plasten tåler.

LEIRGODS – Stengods og leirgods kan brukes. Den brune leirgryten skal som vanlig bløtlegges før bruk.

METALL – Metallkar passer ikke til matlaging i mikrobølgeovn.

Mikrobølgene kan ikke passere gjennom metall, slik at påvirkningen bare kommer ovenfra. Resultatet blir derfor ikke så bra.

Hvis metallkar eller aluminiumsfolie plasseres på gitteret eller for nær veggene i ovnen kan dette danne gnister og det kan oppstå brennmerker. Husk å ta bort metallklips på teposer og brødemballasje.

Slik prøver du om et kar kan brukes i mikrobølgeovnen

Karet kan prøves ved å sette det tomt midt i ovnen.

Plasser en kaffekopp eller glass med vann ved siden av og varm deretter ovnen på fullt i et minutt. Etterpå skal karet ikke på noe sted være mer enn håndvarmt.

Dette kan du ikke gjøre i mikrobølgeovnen

- Bake gjærdeigsbrød – det får ingen farge.
- Lage suffléer.
- Koke hele egg med skall, eller varme dem opp igjen.
- Bruke vanlig steketermometer. Spesielle termometre for mikrobølgeovner fins i handelen.

Slik vedlikeholder du ovnen og forlenger

Rengjøring og vedlikehold

- Bruk ikke ovnsrengjøringsmidler eller andre tærende eller slipende rengjøringsmidler, som f.eks Jif. Tørk av utsiden og innsiden av ovnen med en myk, fuktig klut, eventuelt med litt oppvaskmiddel.

- **Tørk av eventuell kondens som måtte danne seg i ovnen ved tilberedningen med en myk klut eller husholdningspapir.**

Hvis mikrobølgeovnen ikke virker levetiden

Før du kontakter Servicemannen:

Kontroller at støpslet sitter i stikkontakten og at ikke sikringen er gått. Gjør ikke noe inngrep i ovnen som kan forårsake skade på person eller eiendom. Hvis problemet fortsetter etter at du har forsøkt punktene til høyre, bør du kontakte leverandøren for et godkjent serviceverksted.

- Er ovnen koplet til vegguttaket?
- Er sikringen hel?
- Er ovnsdøren lukket?
- Har du valgt tilberedningstid?

Forbrukerkjøp

Ved salg til forbruker i Norge gjelder norske forbrukerbestemmelser, som fås av leverandøren.

Husk å oppbevare kvittering som garantibevis.

Service og reservedeler

Service og reservedeler til ovnen får du hos forhandleren eller et godkjent serviceverksted. Når du bestiller service bør du oppgi ovnens produktnummer og modell som står på dataskiltet.

Modell: _____

Produktnummer: _____

Innkjøpsdato: _____

Indholdsfortegnelse

<p>Ved brug</p> <p>Tekniske data 4</p> <p>Udpakning 6</p> <p>Udpakning</p> <p>Tilbehør</p> <p>Sikkerhedsinformation 5</p> <p>Ved installation og service 5</p> <p>Ved brug af mikroovnen</p> <p>Ved skrotning af mikroovnen</p> <p>Vigtigt at vide</p> <p>Børnesikring 6</p> <p>Installation 7</p> <p>Opstilling</p> <p>Indbygning</p> <p>Eltilslutning</p> <p>Ovnen 8</p> <p>Tilbehør 9</p> <p>Sådan placeres glastallerkenen og den roterende støtte</p> <p>Betjeningspanelet 10</p> <p>Tilberedning og valg af Mikroeffekt 11</p> <p>Vejledning ved valg af Mikroeffekt</p>	<p>Praktiske tips 12</p> <p>Generelt</p> <p>Husk</p> <p>Ved tilberedning</p> <p>Optøning</p> <p>Hvilket kogegrej kan anvendes 13</p> <p>Sådan testes om kogegrej er velegnet til mikroovn</p> <p>Dette kan man ikke tilberede i mikroovn</p> <p>Anbefalinger vedr. Optøning med 180W 14</p> <p>Sådan vedligeholdes mikroovnen</p> <p>Hvis mikroovnen ikke fungerer 15</p> <p>Garanti</p> <p>Forbehold</p> <p>Produktansvar 16</p> <p>Forbehold</p> <p>Service og reservedele</p> <p>Electrolux Hvidevare-Service</p> <p>Ved installation</p>
---	--

Tillykke med Deres nye mikroovn

Tak fordi De valgte et Electrolux produkt. Vi er overbeviste om, at De vil få stort udbytte af deres nye mikroovn. For at få den fulde udnyttelse og korrekte brug af ovnen er det vigtigt at De gennemlæser brugsanvisningen grundigt inden ovnen tages i brug.

Husk at gemme brugsanvisningen, så De har den i tvivlstilfælde, eller hvis ovnen overdrages til en ny ejer.

Tekniske data

Udvendige mål	Bredde	485 mm	Spænding	230 V, 50 Hz 10 A
	Dybde	422 mm	Totaleffekt	1250W
	Højde	287 mm	Mikroeffekt	800W
Indvendige mål	Bredde	335.8 mm	Vægt netto	14.4 kg
	Dybde	314 mm	Liter	21 litre
	Højde	206 mm		

Sikkerhedsinformation

Anvend ikke ovnen, hvis De har mistanke om, at den er defekt, men kontakt Electrolux Hvidevare-Service.

Læs følgende forholdsregler grundigt igennem for at undgå mikrobølgelekkage:

Selv om mikroovne er sikre, bør De gennemlæse »Sikkerhedsinformation«, »Vigtigt at vide«, øvrige advarselstekster samt installationsanvisningen i brugsanvisningen for at undgå forkert anvendelse eller risiko for ulykker.

Ved installation og service

- En ovn, som er i uorden, bør aldrig anvendes. Tag strømmen fra ovnen. Hvis den er tilsluttet med almindeligt stik, trækkes stikket ud af kontakten (husk: Træk i stikket, aldrig i ledningen). Hvis ovnen er fast installeret, tages sikringen til ovnen ud af sikringstavlen.
- Hvis der opstår fejl eller dårlig funktion, bør De kontakte Electrolux Hvidevare-Service for reparation. Der må kun anvendes originale reservedele. Se telefon og adresseliste senere i denne vejledning.
- Foretag aldrig selv indgreb eller reparation på ovnen. En evt. reparation udført af andre end Electrolux Hvidevare-Service vil medføre, at vort garanti og vort produktansvar bortfalder.
- Installationsarbejde, forlængelse af kabel m.v. skal udføres af en autoriseret elinstallatør. Arbejde, som udføres af folk uden tilstrækkelig faglig kundskab, kan forringe ovnens funktion og medføre skade på person og/eller ejendom.

Ved brug af mikroovnen

- Ovnens er beregnet til tilberedning af madvarer i en almindelig husholdning. Hvis den anvendes til andre formål, kan der opstå risiko for skader på personer og/eller ejendom.
- Ovnens bør kun betjenes af voksne og større børn. Lad ikke børn lege med ovnen, og efterlad ikke små børn uden opsyn i nærheden af mikroovnen, når den er i gang.
- Mikroovnen må under ingen omstændigheder anvendes med døren åben, eller hvis dørens lukkemekanisme eller sikkerhedsafbryder er ude af funktion.
- Start aldrig ovnen, hvis noget er kommet i klemme i døren. Lad ikke madrester eller snavs samle sig på dørens inderside eller på dørens tætningsflader mod ovnen.

- Mikroovnen må ikke anvendes, hvis ovndøren, ovndørhængsler, ovndørens eller ovnens tætningsflader er beskadiget eller slidt, eller hvis ovnkabinettet er beskadiget, hvilket kan medføre, at døren ikke tætnes ordentligt.
- Ovnens må ikke bruges i tom tilstand. Det kan medføre alvorlig beskadigelse af den.
- Ved afprøvning eller når der tilberedes små mængder mad, stilles en kop vand i ovnen for at absorbere mikroeffekten.
- Efterlad ikke ovnen uden opsyn, når den er i gang, især ikke hvis maden opvarmes i papir, plast eller andet brændbart materiale.
- Hold døren lukket, hvis madvarer eller papir begynder at ose eller bryde i brand. Sluk på stikkontakten. Ilden vil langsomt gå ud af sig selv. Inden ovnen benyttes igen, skal Electrolux Hvidevare-Service efterse ovnen.

NB! Om nødvendigt kvæles ilden med låg. Brug aldrig vand.

- Opvarm ikke spiseolie eller fedt, hvor temperaturen ikke kan kontrolleres. Friturekogning må ikke foretages i mikroovnen.
- Ved rengøring og vedligeholdelse skal der være slukket for strømtilførselen.

Ved skrotning af mikroovnen

- Hjælp med at undgå ulykker, når ovnen skal skrottes, ved at aflevere den til genbrug eller korrekt destruktion. Kontakt Deres kommune for denne information.

Vigtigt at vide

- Sørg altid for, at drejetallerkenen og rullestøtten sidder på plads i bunden af ovnen under brug.
- ADVARSEL! Ved opvarmning af vand og visse drikkevarer, kan det ske, at temperaturen stiger over 100°C, uden at væsken begynder at koge. Denne overophedning kan medføre, at væsken pludselig koger over, når beholderen tages ud. Dette kan undgås ved enten at piske lidt luft i væsken inden opvarmningen eller placere en metalske i vandet. Denne skal være i en afstand af mindst 2 cm fra andre skeer og fra mikroovnens sider. Ellers lad væsken stå i mindst 20 sekunder for at udjævne temperaturen, inden beholderen tages ud af ovnen. Brug grydelapper eller grillhandsker.
- Anvend ikke kogegrej af metal eller med guld/sølv-dekorationer. Der kan opstå gnister, og ovnen og/eller kogegrejet kan blive ødelagt.
- Metalclips eller »lukketøjer«, som indeholder metaltråde, kan give gnister i ovnen og skal derfor tages af. Der må ikke tilberedes mad og drikkevarer i lukkede emballager. Klip emballagen op eller lav huller i låget, ellers kan der opstå overtryk, og emballagen sprænges under opvarmningen.
- Kontrollér, at det materiale, beholderen er fremstillet af, er egnet til brug i mikroovn. Visse plasttyper kan blive »bløde« i varmen og miste faconen. Andre plasttyper og visse typer keramik og krystal kan revne, især hvis der varmes små mængder i dem. Plast, der tåler mikroovn, er mærket med »for mikroovn« eller bærer mikrosymbolet.
- En beholder kan testes ved, at anbringe den tom midt i ovnen, sætter et glas and ved siden af, og tænde på max. effekt i et minut. Bagefter må beholderen ikke på noget sted være blevet mere end håndvarm.
- Vær forsigtig med popcorn, som kan overophedes og antændes. Popning af popcorn må ikke foretages direkte på drejetallerkenen (hverken løst eller i specialpose). Brug specialpose beregnet til mikroovn, følg anvisningen på posen. Læg en mindre tallerken med bunden opad på drejetallerkenen, læg herpå et stykke køkkenrulle og derefter posen med popcornene.
- Benyt aldrig ovnen til tørring af madvarer eller andre ting.

Børnesikring

- Vær forsigtig ved opvarmning af børnemad. Tag låg af glas og sut af sutteflasker, inden opvarmning. Kontrollér nøje temperaturen, inden maden gives til små børn. Sutteflasken rystes godt, og temperaturen afprøves ved at hælde nogle dråber ud på indersiden af håndledet, inden barnet får flasken. Børnemaden omrøres, og temperaturen kontrolleres, inden den serveres.

Udpakning

Eventuelle transportskader fra en transport, som De ikke selv har foretaget, skal senest en uge efter modtagelsen anmeldes til Deres forhandler.

Efter udpakningen kontrolleres, at ovnen er fejlfri.

Skader, fejl og evt. manglende dele skal inden 1 uge anmeldes til forhandleren. Efterlad ikke emballagematerialer, så små børn kan lege med dem. Dette kan medføre ulykker.

Hvis ovnen er beklædt med en plastikfilm – skal denne fjernes inden ovnen tag i brug.

Tilbehør

- 1 Glastallerken
- 1 Rullestøtte til glastallerkenen
- 1 Drev til glastallerkenen
- 1 Brugsanvisning

Installation

Opstilling

1. Ovnens skal anbringes på en plan og stabil flade med god ventilation omkring ovnen. Anbring ikke ovnen i nærheden af andre varmekilder, f.eks. komfur eller varmeplader. Ovnens må ikke anvendes, hvis der dannes kondens på ydersiden af ovndøren, da dette tyder på for høj luftfugtighed i rummet.
2. Ovnens ventilationsåbninger må ikke blokeres, da ovnen ellers kan overophedes. Dette medfører, at der automatisk slukkes via en termisk overophedningssikring. Derefter må ovnen ikke anvendes, før den igen har nået normal rumtemperatur. Der skal være mindst 3–5 cm frit til nærmeste væg for at opnå tilstrækkelig ventilation. Fødderne må ikke fjernes.
3. Fjern alt emballagemateriale fra ovnens indre og anbring rullestøtte og tallerken i bunden af ovnrummet. Ovnens må ikke anvendes, uden at disse er på plads i ovnen.
4. Ovnens aftørres indvendigt og udvendigt med en fugtig klud, inden den tages i brug.
5. Anbring ovnen så langt fra radio- og TV-apparater som muligt. Der kan opstå en vis interferens, hvis ovnen anbringes for nær ved en radio eller et TV.

Eltilslutning

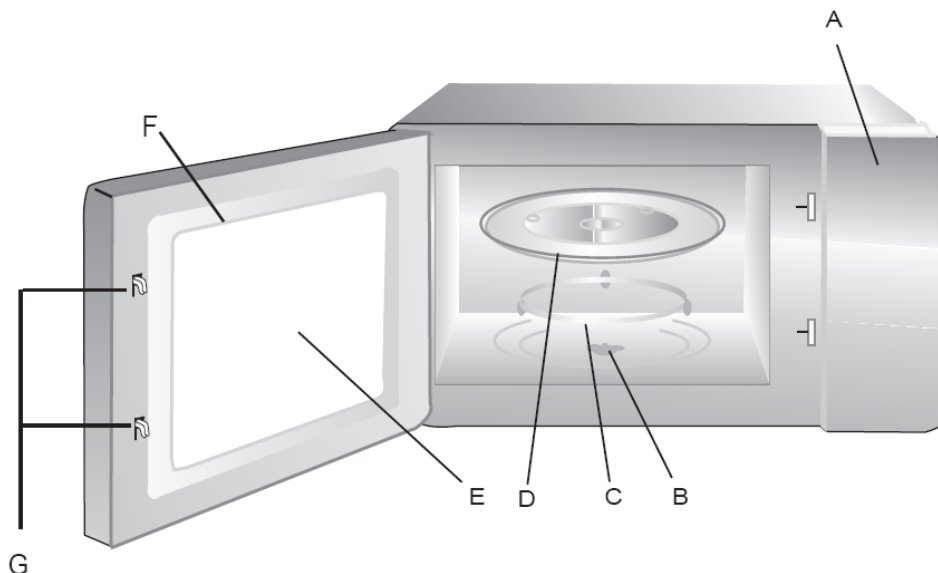
Ovnen leveres med ledning og stikprop til 230V. Ovnens skal ekstrabeskyttes jvf. stærkstrømsreglementet. Er tilslutningsstedet forsynet med ekstrabeskyttelse i form af stikkontakt for trebenet stikprop, så skal den tobenede stikprop udskiftes med et trebenet stik. Jordforbindelsen vil minimere risikoen i tilfælde af afledning. Kontrollér, at ovnens spænding stemmer overens med spændingen i kontakten. Mikroovnen trækker en stor startstrøm, hvorfor det tilrådes at tilslutte den til en separat 10 amp gruppesikring.

NB! Hvis ovnen sluttes til kontakten via en forlængerledning, skal også denne ledning være af en type med jordforbindelse. I tilfælde af tvivl angående ovnens el-tilslutning kontaktes en fagmand.

Vigtigt! På grund af sin kompakte størrelse kan ovnen anbringes næsten hvor som helst på køkkenbord, hylde – eller tages med i sommerhuset. Vær altid omhyggelig med at anbringe ovnen plant og på et stabilt underlag. Sørg også for, at ovnens fødder står sådan, at ovnen får tilstrækkelig ventilation. Ovnens må ikke anvendes udendørs.

Mikroovnen er udstyret med en specialledning. I tilfælde af at den skal skiftes skal den udskiftes med en af samme slags. Udskiftningen skal foretages af Electrolux Hvidevare-Service.

Ovnen



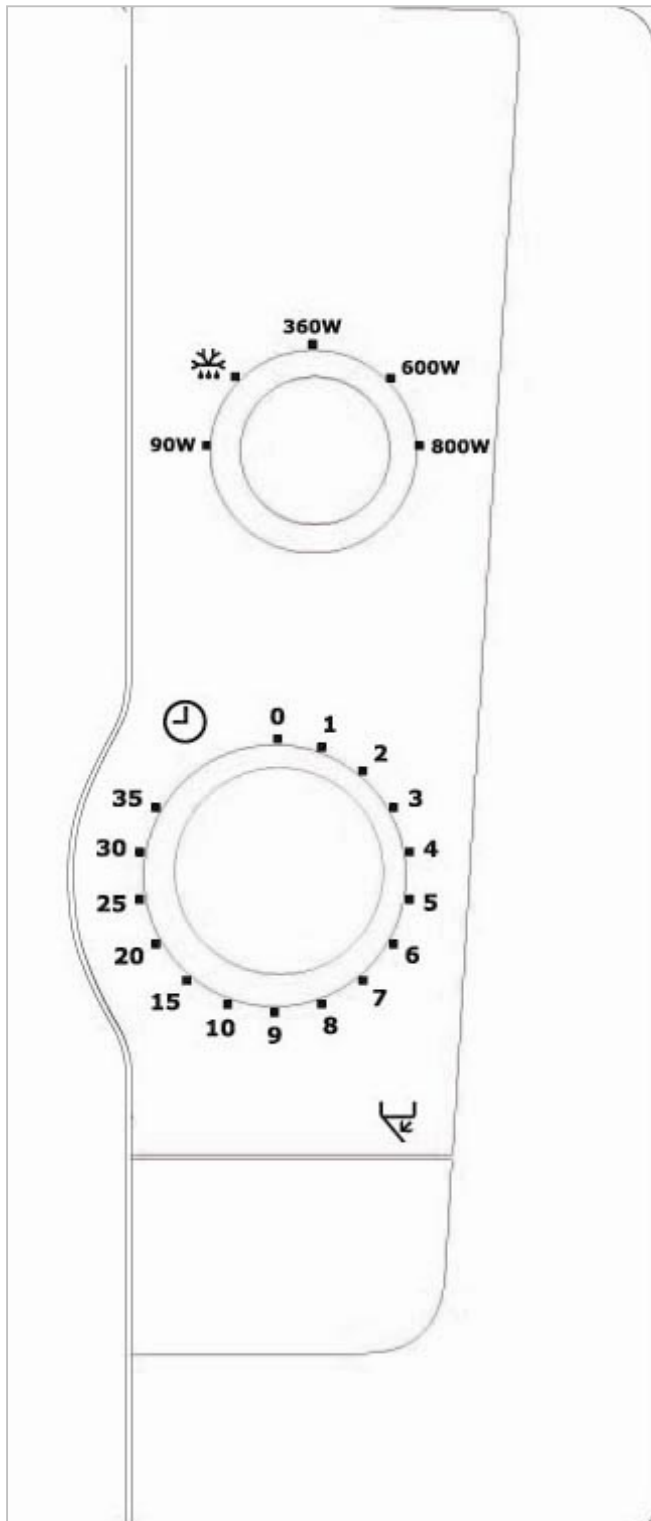
- A. Kontrolpanel
- B. Drev til den roterende støtte
- C. Roterende støtte til glastallerkenen
- D. Glasdrejetallerkenen
- E. Vindue
- F. Ovnsdør
- G. Dørlås

1. Placer den roterende støtte på ovnbunden.
2. Placer tallerkenen oven på støtten. Vær opmærksom på at grebet på glastallerkenen sidder korrekt i udtaget i bunden af ovnen. Placer aldrig tallerkenen omvendt.

Det er vigtigt at glastallerkenen er på plads i ovnen under brug, da det er denne rotering, der sørger for at mikrobølgerne bliver fordelt jævnt i maden. Tallerkenen kan dreje enten med eller mod uret. Tallerkenen tåler vask i opvaskemaskine.

Den roterende støtte under drejetallerkenen skal **altid** være på plads i ovnen under tilberedning. Sæt **aldrig** noget andet på den roterende støtte end glasdrejetallerkenen. Den roterende støtte tåler vask i opvaskemaskine.

Betjeningspanelet



Effektvælger

Brug denne knap til at vælge den korrekte effekt.

Ur

Indstil uret for ønsket tilberedningstid. Tilberedningen vil begynde.

Alle ure vil gå mere præcist, hvis man drejer forbi den ønskede tid først og så drejer tilbage.

Tilberedning og valg af Mikroeffekt

En mikroovn er ideel til mange typer af tilberedning – specielt til fisk og grøntsager, såvel frosne som ferske. Desuden er en mikroovn god til at opvarme allerede tilberedt mad hurtigt.

1. Placer maden i en mikrosikker skål (på side 15 er der en beskrivelse af egnet kogegrej)
2. Stil effektvælgeren på den ønskede effekt.
3. Indstil tilberedningstiden ved at dreje "Timer" til den ønskede tid. Ovnens starter herefter. Når tilberedningstiden er udløbet ringer en klokke og mikrobølgerne stopper.
 - Under tilberedningen kan effekttrin og tilberedningstiden ændres. Dette gøres ved at dreje "Effekt vælger" og/eller "Ur" til ønsket effekt eller tid. For eksempel kan du starte på højeste effekttrin og derefter reducere til optøning ().

Eks: Tilberedning af mad ved mikrobølgeeffekt på 600 W

1. Stil effektvælgeren på den ønskede effekt. (600W)
2. Drejeknappen drejes til højre indtil den ønskede tid fremkommer.

Vejledning ved valg af Mikroeffekt

Indstillingstrin	Anbefalet brug
90W	For at blødgøre smør, ost og is. Til optøning af skaldyr.
180W	Til manuelt optøning, småkogning af sovs, opvarmning af bagværk.
360W	Til opvarmning af allerede tilberedt mad.
600W	For skånsom tilberedning af retter, som indeholder ost og/eller æg. Til opvarmning af gryderetter og anden forsigtig opvarmning.
800W	For tilberedning og opvarmning af større mængder, samt til retter, der ikke kan røres i. For hurtig opvarmning og tilberedning af f. eks. grøntsager.

Praktiske tips

Generelt

Benyt altid den korteste angivne tilberedningstid, der er angivet i opskrifter og tabeller.

- Ved brug af egne opskrifter – husk altid at begrænse mængden af salt og krydderier.
- De fleste madvarer tilberedes uden yderligere vand end det der er i forvejen, dog skal ris, pasta og bønner koges i vand.
- Dæk altid maden til under tilberedning, dette:
 - hindrer udtørring
 - hindrer tilsprøjtning af ovnen
 - giver bedre varmefordeling
- Bagværk kan optøes direkte i brødkurven eller på køkkenrulle. Syltetøjsfyld o.l. bliver altid varmere end resten af brødet.
- Tilbered ikke sukker og/eller fedtholdige madvarer, som bacon, mikropopcorn, wienerbrød o.l. direkte på glaspladen. Glaspladen kan springe.
- Madvarer med skind, som pølser, æbler, kartofler, lever, æggeblommer o.l. skal altid prikkes inden tilberedning.
- Salt først kød efter tilberedning.
- Lad altid retter stå i 5 min, så temperaturen kan nå at fordele sig jævnt i hele retten.
- Vælg altid den korteste vejledte tid i en opskrift/tabel.

Husk

- Jo større mængde – jo længere tid.
- Kolde madvarer tager længere tid end varer med rumtemperatur.
- Porøse madvarer tager kortere tid end kompakte.
- Mad der indeholder meget vand kræver kortere tilberedning.
- Der findes mange gode mikrokogebøger, dog skal man altid være opmærksom på hvilken mikroeffekt sammenholdt med tiden, der er benyttet i opskriften, for at kunne føre dette over på ens egen ovn.

Ved tilberedning

- Sørg altid for at maden er tøet helt op inden den tilberedes.
- Placer de tyndere dele mod midten og de tykkere dele mod kanten.
- Tilberedningstiden kan variere afhængig af madens starttemperatur, tykkelse og facon.
- Rør i/omroker maden om muligt.

Optøning

- Det er muligt at optø kød i emballagen, dog skal evt metalclips o.l. fjernes inden optøningen.
- Placer de tyndere dele af det der skal optøes ind mod midten.
- Når optøningstiden er udløbet, anbefales det at lade maden stå lidt inden tilberedningen.

Hvilket kogegrej kan anvendes

Brug kun kogegrej, der er velegnet til mikrobrug.

- PORCELÆN – De fleste typer af porcelæn, dog ikke porcelæn med guld/sølv dekoration eller porcelæn som indeholder metal. Afprøv for en sikkerheds skyld det porcelæn, som ønskes brugt i mikroovnen.
- GLAS – De fleste typer af glas, dog ikke glas med guld/sølv dekoration, krystal og visse farvede glasvarer.
- PLAST – Kun plast, som er specielt beregnet til mikro kan anvendes med sikkerhed. Melamin plast indeholder metal og er derfor ikke velegnet. Da meget plast kun tåler 90°C, kan det blive blødt af varmen fra det, der skal tilberedes.
- LER/STENTØJ – Disse kan indeholde metal, hvorfor det er vigtigt at afprøve om de kan benyttes.
- METAL – Der må ikke benyttes nogen form for metal i ovnen, da mikrobølger ikke kan trænge gennem metal. Hvis der benyttes metal, på anden måde end beskrevet m.h.t. aluminiumsfolie tildækning, er der risiko for at der dannes lysbuer (svejseflammer), som vil ødelægge ovnen. Husk at fjerne metalclips.

Sådan testes om kogegrej er velegnet til mikroovn

Placer det, der skal testes, i ovnen. Sæt et glas med vand ved siden af til at optage mikrobølgerne. Tilbered på max effekt i 1 min. Hvis kogegrejet på noget sted bliver mere end håndvarmt, er det ikke velegnet til brug i mikroovnen.

Dette kan man ikke tilberede i mikroovn

- Bage brød og kager, det får ingen farve.
- Bage soufflerer.
- Koge eller opvarme hele æg.
- Anvende traditionelt stegetermometer. Der findes mikrostegetermometer.

Anbefalinger vedr. optøning med 180W

MADVARER	FORBEREDELSE	180W	HVILETID
Brød			
Lille brød	Lægges på mikrobølgefast rist eller køkkenrulle. Vendes efter den halve optøningstid.	8–10 min.	10–15 min.
Stort brød i skiver	Lægges på mikrobølgefast rist eller køkkenrulle. Vendes efter den halve optøningstid.	10–13 min.	10 min.
2 skiver	Lægges på køkkenrulle.	45–60 sek.	5 min.
1 bolle	Lægges på køkkenrulle.	45–60 sek.	5 min.
2 boller	Lægges på køkkenrulle.	1–1½ min.	5 min.
Kager og kagedej			
Kage 450g/1 lb	Tages ud af emballagen, anbringes på en tallerken.	9–11 min.	15–30 min.
Ostekage 450g/1 lb	Tages ud af emballagen, anbringes på en tallerken.	9–11 min.	15–30 min.
Pie (bagt) 450g/1 lb	Tages ud af emballagen, anbringes på en tallerken.	7–9 min.	15–30 min.
Kagedej 450g/1 lb	Tages ud af emballagen, anbringes på en tallerken.	7–9 min.	15–30 min.
Smør			
250g/8.8 oz (1 pakke)	Hvis det er pakket ind i folie, tages det ud af indpakningen og anbringes på en tallerken.	2 min.	5–10 min.
Frugt			
225g/8 oz Bløde bærfrugter	Anbringes i et enkelt lag i et fladt fad.	5–6 min.	5–10 min.
450g/1 lb Bløde bærfrugter	Anbringes i et enkelt lag i et fladt fad.	7–8 min.	5–10 min.
Færdigret i en bakke			
400g/14 oz	Dæk med en tallerken eller plastfolie, der ikke indeholder PVC. Opvarmes ved mikrobølge 100% (800W) i 3–4 minutter.	7–8 min.	5–10 min.
Grøntsager			
	Det er ikke nødvendigt at optø grøntsager før tilberedning. Alle grøntsager kan optøs og tilberedes ved 100% (800W)		

Sådan vedligeholdes ovnen

- Anvend ikke rengøringsmidler/redskaber med slibende effekt.
- Tør ovnens inder- og yderside af med en fugtig blød klud tilsat håndopvaskemiddel.
- Aftør ovnen efter brug.
- Tør evt kondens af, som opbygges under tilberedningen, med en blød klud eller køkkenrulle.

Hvis mikroovnen ikke fungerer

Inden De kontakter service bedes De kontrollere nedennævnte, da uberettiget tilkald af service ikke dækkes af garantien.

- **Er ovnen tilsluttet stikkontakten og er der tændt for den?**
- **Er der sprunget en sikring?**
- **Er lågen lukket helt?**
- **Har du valgt tilberedningstiden?**

Hvis fejlen ikke kan afhjælpes v.h.a. ovenstående kontaktes Electrolux Hvidevare-Service, se telefonlisten senere i denne brugsanvisning. Forsøg ikke selv at afhjælpe en eventuel fejl, da det kan medføre person- eller materiel skade.

Garanti

1 år fra den dokumenterede købsdato (gem købsnotet og evt servicefakturaer). Garantien dækker fabrikations- og materialefejl, der måtte opstå ved normal brug i en privat husholding i Danmark. Garantien omfatter reservedele, nødvendige transportomkostninger og arbejdsløn.

For Grønland og Færøerne gælder særlige regler.

Forbehold

Garantien omfatter ikke fejl og skader, som skyldes andre årsager end fabrikations- og materialefejl. Det er en forudsætning for garantien at en reparation ikke er forsøgt foretaget af andre end Electrolux Hvidevare-Service. Garantien dækker **ikke** uberettiget tilkald af service.

Produktansvar

Vort produktansvar er gældende i følge »Lov om produktansvar«. Denne lov gælder skader på personer eller ting, som skyldes fejl på selve det installerede produkt. Dette ansvar er gældende 10 år efter, at apparatet er købt som fabriksnyt.

Forbehold

Vort produktansvar gælder ikke, hvis den pågældende skade skyldes et eller flere af følgende forhold:

- At produktets installation ikke er udført i overensstemmelse med installationsvejledningen.
- At produktet har været anvendt til andet formål end beskrevet i brugsanvisningen.
- At de i denne brugs- og installationsvejledning nævnte sikkerhedsregler ikke er blevet fulgt.
- At en reparation er udført af andre end vor autoriserede serviceorganisation, se brugsanvisningen.
- At der er brugt uoriginale reservedele.
- At skaden er en transportskade, som måtte være opstået på et senere tidspunkt, f.eks. ved flytning eller videre salg.
- At skaden skyldes en form for anvendelse, som strider mod almindelig sund fornuft.

Service og evt. reparationer skal udføres af Electrolux Hvidevare-Service, se brugsanvisningen. Der må kun benyttes reservedele som er godkendt af førnævnte.

Service og reservedele

Arbejde udført af ukyndig kan føre til skader på personer og/eller ejendom, samt forringe apparatet. Indgreb i apparatet under garanti perioden må kun udføres af Electrolux Hvidevare-Service eller af en serviceorganisation godkendt af førnævnte.

Opstår der problemer med apparatet findes der forslag til afhjælpning i afsnittet "Før De tilkalder service". Tilkalder De service til et problem, hvor løsningen er beskrevet i dette afsnit, risikerer De at komme til at betale for servicebesøget.

Dette gælder også, hvis apparatet er anvendt til andet formål end det er beregnet til.

Kan problemet ikke afhjælpes ud fra afsnittet "Før De tilkalder service", eller der skal bruges reservedele, kan De ringe på følgende nummer:


70 11 74 00

Når dette nummer benyttes, stilles der automatisk om til nærmeste center

Ved rekvirering af service eller reservedele, skal De oplyse modelbetegnelse, serienr og produktnr.

Brug kun originale reservedele.

Съдържание

Преди да започнете работа с уреда	4
Инструкции за безопасност	4
Безопасност при използването на съдове за готвене	5
Тестване на съдовете за готвене	5
Безопасност при обработка на храните	5
Упътване за използване на съдовете за фурната и принадлежностите	6
Технически данни	7
Започване	7
Разопаковане	7
Свързване към електрическата мрежа	8
Електрическо свързване	8
Работа с микровълновата фурна	9
Наименование и функция на различните части	9
Монтиране на въртящата се чиния	9
Контролен панел	10
Микровълново готвене	11
Упътване за настройка на мощността	11
Инструкции за размразяване при 	12
Съвети за Микровълново готвене	13
Грижи и почистване	14
Почистване на аксесоарите (въртящата се чиния)	14
Почистване на вътрешността	14
Почистване на външните части	14
Сервиз и резервни части	15
Условия на гаранцията	16

Поздравления за закупуването на Вашата нова микровълнова фурна.

Благодарим Ви, че избрахте този продукт на Electrolux. Убедени сме, че новата ви микровълнова фурна ще ви бъде много полезна и ще ви помогне изключително в домакинската работа. Както става с всички нови кухненски

уреди, ще е необходимо известно време, за да се запознаете с всички нови функции и особености, но с течение на времето тази фурна ще стане незаменима за Вас.

Преди да започнете работа с уреда

Преди използване на микровълновата фурна прочетете внимателно и подробно ръководството. Инструкциите, които следват, ще Ви позволят да получите най-добрите резултати от новата микровълнова фурна на Electrolux. Важно е това ръководство да бъде запазено заедно с уреда за по-нататъшни справки. В

случай, че продадете или дадете уреда за ползване от друго лице или ако смените жилището си и оставите уреда, уверете се, че ръководството остава заедно с уреда за да може новият собственик да се запознае с функциите на фурната и съответните предупреждения.

Инструкции за безопасност

- Вградената система за заключване на вратата предпазва микровълновата фурна от работа при отворена врата.
- Не променяйте нищо в нея и не се опитвайте да използвате фурната при отворена врата, тъй като работата при отворена врата може да Ви изложи на микровълново облъчване.
- Не позволявайте остатъци от храна или от почистващ препарат да се събират върху уплътнителните повърхности на вратата. Вижте раздела Почистване и Поддръжка за по-подробни инструкции.
- Ако фурната е повредена не я използвайте, докато не бъде поправена от квалифициран сервизен техник.
- Особено важно е вратата на фурната да бъде затворена правилно и да няма повреда на: (1) вратата (деформирана), (2.) пантите и затварящия механизъм (счупени или с недостатъчна сигурност), (3) уплътнителните ленти на вратата и повърхността срещу тях.
- Рисковано е за всеки с изключение на квалифициран сервизен техник да извършва ремонти или корекции по тази фурна. Поправки от неквалифицирана личност могат да доведат до наранявания или сериозни повреди по фурната. Осъществете контакт с най-близкия оторизиран сервиз при необходимост от ремонт.
- Не отстранявайте корпуса на уреда, вратата или контролния панел, тъй като това може да доведе до излагането Ви на изключително високо напрежение.
- Инсталирайте и разполагайте тази фурна само в съответствие с **“ИНСТРУКЦИИ ЗА МОНТАЖ”**, дадени в това Ръководство.
- Използвайте уреда по предназначението му, описано в това Ръководство. Не използвайте корозивни химикали в уреда. Специфичното приложение на този тип фурни е за притопляне, готвене и размразяване на храна. Те не са конструирани за индустриална или лабораторна работа, нито за употреба в търговската мрежа, тъй като това ще направи невалидна гаранцията.
- Не използвайте фурната, когато е празна. Ако няма храна или вода, която да поглъща микровълновата енергия, магнетронната лампа може да се повреди.
- Необходим е строг надзор когато фурната се използва от деца.
- Не съхранявайте уреда на открито. Не използвайте уреда в близост до вода.
- Не се опитвайте да сушите дрехи или вестници във фурната, тъй като те могат да се запалят.
- Не използвайте вътрешността на фурната като място за съхранение. Не оставяйте продукти от хартия, съдове за готвене или храна в нея, когато не я използвате.

Безопасност при използването на съдове за готвене.

Повечето стъклени, стъклено-керамични и топлоустойчиви стъклени съдове са отлични за използване в микровълновата фурна. Въпреки, че микровълновата енергия няма да затопли

повечето стъклени и керамични съдове, те могат да се нагорещят при предаването на топлина от храната. Препоръчително е използването на ръкохватки за изваждане на ястията.

Тестване на съдовете

- Поставете съда за готвене във фурната заедно със стъклена чаша, напълнена до средата с вода. Нагрейте при 800 W (100%) за една минута. Ако съдът е топъл, не трябва да го използвате. Ако е само леко загорял, можете да го използвате за затопляне на храна, но не и за готвене. Ако съдът е със стайна температура, той е подходящ за готвене в микровълнова фурна.
- Хартиени кърпички, восъчна хартия, чинии, купи, картонени кутии, опаковъчни материали за фризер и мукава са много удобни съдове. Винаги се уверявайте, че са пълни с храна, която да поглъща енергията и така да избегнете опасността от прегряване.
- Много пластмасови чинии, купички, кутии за съхранение на храна във фризер и найлонови опаковки могат да се използват в микровълновата фурна. Следвайте инструкциите на производителя при използване на пластмасови изделия във фурната. Избягвайте употребата на пластмасови съдове с храни, които са с високо съдържание на мазнини и захар, тъй като тези храни достигат до високи температури и могат да разтопят някои пластмаси.
- Не оставяйте фурната без наблюдение и я поглеждайте от време на време когато затопляте или готвите храна в пластмасови, хартиени или други лесно възпламеними съдове. Ако забележите дим оставете вратата затворена, изключете фурната или я изключете от контакта докато димът изчезне.
- Метални съдове или съдове с метална украса не трябва да се използват в микровълновата фурна освен ако не са специално създадени за използване в микровълнова фурна.
- Съдове с ограничени отвори, например бутилки не трябва да се използват при готвене в микровълнова фурна.

- Бъдете внимателни при махане на капак или покритие от съдове, за да избегнете изгаряния от парата.

Безопасност при обработка на храните

- Не затопляйте храна в консервни опаковки в микровълновата фурна. Винаги премествайте храната в подходящ съд.
- Много силно пържено на храни не трябва да се извършва в микровълновата фурна, тъй като температурата на мазнината не може да бъде контролирана и това може да доведе до рисковани ситуации.
- Пуканки могат да бъдат приготвени във фурната, но само в специални опаковки или съдове, създадени за този цел. Процесът на приготвяне никога не трябва да остава без наблюдение.
- Надупчвайте храни с кора или с мембрани без пори, за да избегнете издуването им от парата и експлодирането им. Ябълки, картофи, пилешки дробчета и жълтъци на яйца са примери за такива продукти.

Предупреждение: При загряване на течности, например супи, сосове и напитки в микровълновата фурна прегряването на течността над температурата на кипене може да стане и без появяването на мехурчета. Това може да доведе до внезапно изкипяване на горещата течност. За да избегнете това спазвайте следните инструкции:

1. Избягвайте използването на съдове с прави стени и тясна горна част.
2. Не прегрявайте продуктите.
3. Разбърквайте течността преди да я поставите в съда във фурната и по средата на времето за затопляне.

4. След затопляне оставете съда във фурната за кратко време и разбъркайте отново преди внимателно да го извадите.

- Някои продукти като цели яйца и запечатани съдове - например затворени стъклени буркани - могат да експлодират и не трябва да бъдат затопляни в тази фурна. Много рядко яйца на очи могат да експлодират по време на готвене. Винаги пробивайте жълтъка, след това покривайте и изчакайте една минута преди да махнете покритието.

Забележка:

- Не се опитвайте да въртите с ръка въртящата се стъклена чиния. Това може да я повреди.

- Волтова дъга във фурната при микровълновата опция обикновено възниква при използване на метални съдове. Продължителното образуване обаче може да повреди уреда. Спрете програмата и проверете съда.
- Не препречвайте отворите за излизане на въздуха, разположени отгоре, отзад, отстрани и отдолу на фурната.

Не използвайте фурната за комерсиални цели.

Тази фурна е създадена единствено за работа в домашни условия.

Запазете тези инструкции

Упътване за използване на съдовете подходящи за фурната и принадлежностите

За готвене с микровълнова фурна могат да бъдат използвани разнообразни съдове и материали. От гледна точка на Вашата безопасност и за да не

повредите съдовете и фурната, изберете подходящите съдове и материали за всеки метод на готвене.

В приложената таблица са дадени някои общи указания.

Материал	Съдове	Микровълново готвене
Керамика и стъкло	Съдове за пуканки	Да
	Топлоустойчиви стъклени съдове	Да
	Стъклени съдове с метална декорация	Не
	Кристално стъкло с олово	Не
Китайски порцелан	Без метална декорация	Да
Глинени съдове		Да
Пластмаса	Топлоустойчиви съдове за микровълнова фурна	Да
	Найлонови торбички	Да
Метал	Тавичка за печене	Не
	Алуминиево фолио *	Да
Хартия	Купички, чинийки, кърпички	Да
Восъчна хартия		Да
Дърво		Не
Принадлежности	Въртяща се стъклена чиния	ДА
	Държач	ДА

Да : Съдове и принадлежности, които могат да се използват

Не : Съдове и принадлежности, които трябва да се избягват

* Забележка: Използвайте алуминиево фолио само за покриване на храна, прекомерната му употреба не е желателна.

Технически данни

Външни размери	Тегло 14.4 кг
Ширина 485 мм	Обем 21 литра
Дълбочина 422 мм	
Височина 287 мм	Захранващо напрежение 230 V, 50 Hz
Размери на вътрешността	Предпазител 10 A
Ширина 335.8 мм	Консумирана мощност 1250 W
Дълбочина 314 мм	
Височина 206 мм	Изходна мощност 800 W

Разопаковане

Важно: При разопаковане на фурната проверете дали уредът е здрав. При повреда или липсващи части уведомете незабавно доставчика. Фурната, нейни части или принадлежности може да са увити в защитно фолио. В този случай

трябва да отстраните това фолио преди да използвате фурната. Не оставяйте опаковъчен материал на места, където малки деца могат да си играят с него. Това може да бъде опасно за тях.

Инсталиране

- Отстранете всички рекламни етикети от вратата.
- Инсталирайте фурната на хоризонтална повърхност. Повърхността трябва да бъде достатъчно здрава, за да издържи теглото на фурната (13.5 кг.) и поставената храна в нея. Фурната трябва да бъде стабилно разположена, за да се избегне възникването на вибрации или шум.
- Поставете фурната далеч от топлина и вода. Излагането на топлина и вода може да понижи ефикасността на фурната и да доведе до повреда. Уверете се, че сте инсталирали фурната далеч от топлинни и водни източници.
- Не блокирайте въздушните отвори отгоре и отстрани на корпуса и не поставяйте никакви предмети върху фурната. Ако въздушните отвори са блокирани по време на работа фурната може да прегрее и това да причини повреда. От отворите излиза горещ въздух, така че се уверете, че нищо не възпрепятства излизането му. Не позволявайте завесите да стоят между фурната и задната стена.
- Поставете фурната максимално далеч от радио и телевизионни приемници. Тази фурна отговаря на изискванията на ЕЕС за подтискане на радиосмущенията*. Въпреки това могат да възникнат проблеми ако фурната се разположи прекалено близо до радио или телевизионен приемник, така че поставяйте такива уреди възможно най-далеч.
- Ако е поставена в ъгъла, оставете разстояние от най-малко 10 см до стените, за да спазите вентилационните изисквания.

Важно! Фурната може да бъде поставена почти навсякъде в кухнята. Уверете се че е разположена на хоризонтална равна повърхност и че вентилационните отвори, както и повърхността под фурната не са блокирани (за достатъчно проветряване).

* Тази фурна отговаря на Норматив 87/308/ЕЕС на ЕЕС за подтискане на радиосмущенията.

Свързване към електрическата мрежа

Фурната се доставя с електрически кабел и щепсел за 230V, 50Hz.

Защитата чрез заземяване намалява риска в случай на късо съединение. Уверете се, че напрежението, с което работи фурната е еднакво с това в мрежата.

Важно: Ако фурната е свързана към контакта с помощта на удължителен кабел, уверете се, че кабелът е заземен.

Предупреждение! Този уред не трябва да бъде използван с незаземено електрозахранване.

Свържете се с електротехник ако не сте сигурни относно свързването към електрическата мрежа на фурната или с осигуряването на заземяване на електрозахранването.

Този уред трябва да бъде заземен. Ако уредът е комплектован с щепсел, който е неподходящ за контакта, щепселът трябва да бъде срязан и да се постави подходящ такъв. Ако е необходимо да се смени предпазителя на щепсела, капакът на предпазителя трябва да бъде поставен отново. Ако капакът е изгубен или повреден, щепселът не трябва да бъде използван докато не се замени.

Електрическо захранване

Този уред е комплектован със стандартен евро щепсел.

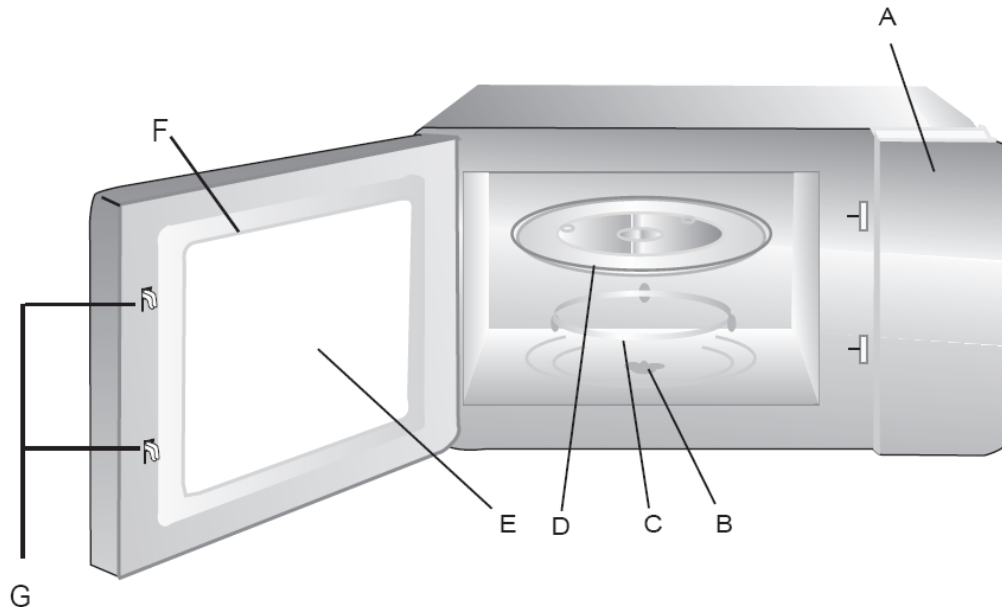
Предупреждение ! Уредът трябва да е заземен.

Производителят не носи никаква отговорност за щети причинени от неспазване на тази мярка за безопасност.

- Ако уредът е комплектован с щепсел, който е неподходящ за контакта, щепселът трябва да бъде срязан и да се постави подходящ такъв.

Премахнете защитата от махнатия щепсел. Отстранения щепсел трябва да се изхвърли за да се избегне опасността от повторната му употреба в друга част на Вашият дом.

Работа с микровълновата фурна



Наименование и функция на различните части

- A. Контролен панел.
- B. Задвижваща ос на стъклената чиния.
- C. Въртяща се стъклена чиния. Изработена от специално топлоустойчиво стъкло. храната в подходящ съд се поставя върху тази поставка. Не използвайте фурната без стъклената чиния.
- D. Държач на въртящата се стъклена чиния. Поставете държача на дъното на отделението за готвене, за да придържа въртящата се стъклена чиния.
- E. Стъкло на фурната. Храната може да бъде наблюдавана докато микровълновата фурна работи.
- F. Врата на фурната. Вратата винаги трябва да бъде добре затворена по време на готвене.
- G. Затварящ механизъм и система за безопасност на заключването.

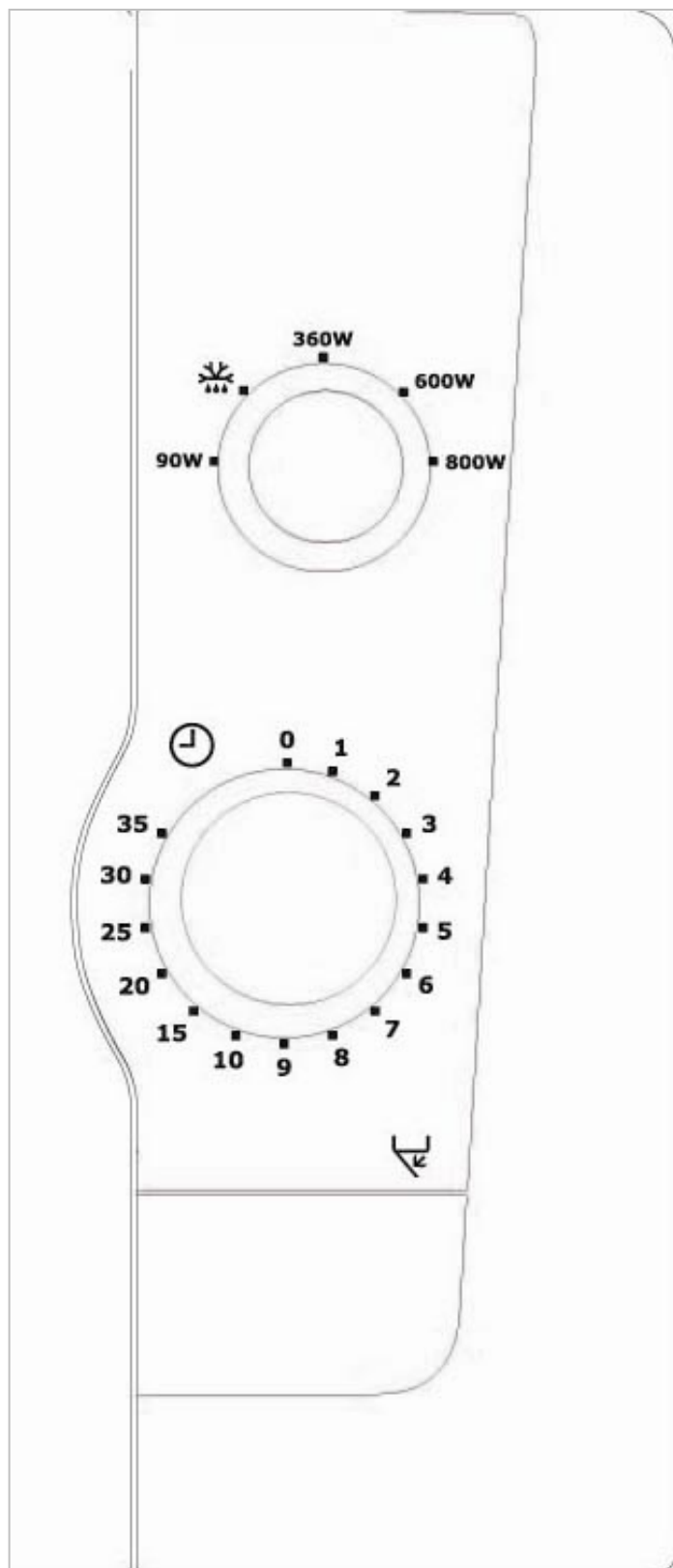
Монтиране на въртящата се стъклена чиния

1. Поставете държача на дъното на отделението.
2. Поставете стъклената чиния върху държача както е показано на схемата. Уверете се, че главината на стъклената чиния е добре наместена върху оста .

Никога не поставяйте стъклената чиния от обратната страна.

- Както въртящата се стъклена чиния, така и държачът винаги трябва да бъдат използвани при готвене.
- Всичката храна и съдове с храна винаги се поставят върху стъклената чиния при готвене. Чинията се върти и в двете посоки; това е нормално.

Контролен панел



1. Бутон за регулиране на мощността.

Нагласете ключа за да изберете точната настройка на мощността за съответното готвене.

2. Копче за регулиране на времето

За да зададете нужното време. Готвенето ще започне. Всички настройки по таймера ще работят по добре ако подминете желаното време на готвене и след това се върнете до него.

Микровълново готвене

1. Отворете вратата , сложете храната върху ъртящата се чиния. Затворете вратата.
2. Нагласете ключа за избор на мощност до желаното ниво. (Виж таблицата по долу).
3. Нагласете Таймера на желаното време.

Фурната започва да готви.
Когато готвите за по-малко от 2 минути, завъртете ключа за по-дълъг период и след това го върнете на желаното време.

За да изключите фурната по време на готвене върнете Таймера на 0.

Забележка: След приключване на работа с фурната се убедете , че сте върнали Таймера на 0 или в противен случай фурната ще продължи да работи.

Пример : За да сготвите при 600 W за 15 минути.

1. Завъртете ключа за мощност на 600 W.
2. Завъртете Таймера на 15.
3. Фурната ще започва автоматично да готви за 15 минути на 600 W.

Упътване за настройка на микровълновата мощността

Мощност	Предполагаема употреба
90 W	Поддържане на топло;Поддържане на храната топла
180 W	Размразяване; отпускане на замразени храни
360 W	Средно;Бързо размразяване и притопляне на печени меса и яхнии.
600 W	Средно;Печене на торти и пудинги Претопляне;Предварително приготвяне на храни. Печене на парчета месо и птици.
800 W	Максимална мощност;Варене или претопляне на течности. Готвене на зеленчуци. Предварително подгриване за печива.

Инструкции за размразяване при мощност 180 W

Някои храни като хляб и плодове могат да се размразят добре ръчно чрез тези позиции на мощността

Храна	Подготовка	180 W	Време на престой след размразяването (във фурната)
Хляб			
Малък хляб	Поставете я върху устойчив на микровълни съд или кухненска хартия. Обърнете по средата на времето на размразяване.	8 - 10 мин.	10 -15 мин.
Нарязан цял хляб	Поставете я върху устойчив на микровълни съд или кухненска хартия. Обърнете по средата на времето на размразяване.	10 –13 мин.	10 мин.
2 филийки	Поставете върху кухненска хартия.	45 – 60 сек.	5 мин.
1франзела	Поставете върху кухненска хартия.	45 –60 сек.	5 мин.
2франзели	Поставете върху кухненска хартия.	1 – 1 ½ мин.	5 мин.
Сладкиши и тестени изделия			
Кейк 450 гр	Извадете от опаковката, поставете върху чиния.	9 – 11 мин.	15 - 30 мин.
Солен кекс 450 гр	Извадете от опаковката, поставете върху чиния.	9 – 11 мин.	15 - 30 мин.
Пай (готвен) 450 гр	Извадете от опаковката, поставете върху чиния.	7 – 9 мин.	15 - 30 мин.
Сладкиш и 450 гр	Извадете от опаковката, поставете върху чиния	7 – 9 мин.	15 - 30 мин.
Масло			
250 гр (един пакет)	Ако е увито във фолио, отстранете фолиото и поставете в чиния.	3 – 4 мин.	5 - 10 мин.
Плодове			
225 гр меки плодове	Поставете ги в единичен слой в плитка чиния.	5 – 6 мин.	5 - 10 мин.
450 гр меки плодове	Поставете ги в единичен слой в плитка чиния.	7 – 8 мин.	5 - 10 мин.
Готови ястия			
400 гр	Покрийте с чиния или с неизолиращо фолио. За подгриване пуснете микровълнова мощност на 100 % (800W) за 3 - 4 мин.	7 – 8 мин.	5 - 10 мин.
Зеленчуци	Не необходимо зеленчуците да се размразяват преди готвене. Всички зеленчуци могат да бъдат размразявани и да бъдат готвене на мощност 100 % (800 W).		

Съвети за микровълново готвене

- Винаги поддържайте фурната чиста - избягвайте разливане на течности и не забравяйте да почистите под стъклението поднос и вътрешната страна на вратата.
- За предпочитане е да използвате кръгли или овални съдове с капак когато готвите във фурната.
- Не използвайте метални или декорирани с метал съдове. Някои пластмасови материали могат да се разтопят и да се деформират от горещата храна.
- Покривайте храната когато готвите. Използвайте стъклен капак, чиния или устойчива на мазнина хартия.
- Сладкиши, хляб и други подобни могат да бъдат размразени направо в панера за хляб или върху хартиена кърпа.
- Ако размразена храна се затопля в собствената си опаковка, опаковката трябва да се отвори. Опаковки, съдържащи метал или метална декорация не трябва да бъдат използвани, освен ако не са специално препоръчани за използване в микровълнова фурна. Отстранете металните щипки или телени връзки.
- По-малки парчета алуминиево фолио могат да се използват за покриване на места, които лесно прегарят, напр. пилешки крачета.
- Храна с кора или кожа трябва да бъде пробождена с вилица - напр. картофи и наденица. Не варете яйца в микровълновата фурна, тъй като могат да експлодират.
- Поставете големите дебели парчета близо до външната страна на съда и се опитвайте да нарежете храната на равномерни парчета. Винаги поставяйте храната в средата на фурната.
- Храната ще бъде равномерно изпечена ако я разбърквате или я обръщате няколко пъти.
- Винаги задавайте по-кратко време за готвене от указаното във Вашата рецепта, за да избегнете прекалената обработка на храната. Колкото по-голямо е количеството храна, толкова повече време отнема приготвянето ѝ.
- Използвайте малко или въобще не слагайте вода за зеленчуците.
- Използвайте по-малко сол и подправки, отколкото при "нормалното" готвене.
- Слагайте подправките по – късно по време на готвене..
- Оставете храната да престои във фурната няколко минути след като програмата е приключила, за да получите по-добри резултати.
- Винаги се уверявайте, че храната е цялостно затоплена преди да я сервирате.

Още съвети за готвене с микровълнова фурна

- Използвайте ръкохватки, когато изваждате ястията и храната от фурната.
- **Размекване на мед**
Ако имате буркан с мед, който е кристализирал, махнете капачката и поставете буркана във фурната на средна мощност за около 2 минути.
- **Разтопяване на шоколад**
Начупете 100 гр. шоколад на блокчета и ги поставете в купа ,загрейте на висока мощност за 1 – 2 минути и разбъркайте добре.
- **Размекване или разтопяване на масло**
Разтопяването отнема няколко секунди при висока мощност.Размекването става нежно при ниска мощност.
- **Освежаване или претопляне на хляб**
Използвайте средна мощност за няколко секунди.
- **По – лесно белене на чесън**
Затоплете 3 – 4 скилидки чесън на висока мощност за 15 секунди.Стиснете от едната страна докато скилидката изкочи навън.
- **Плодов сок**
Цитрусовите плодове пускат повече сок ако плодовете са предварително затоплени при висока мощност за 15 секунди.
- **Овесена каша**
Овесена каша лесно се готви в чинията за сервиране без да се налага да миете лепкави тигани при стандартното и приготвяне.Следвайте инструкциите на производителя на храната.

Грижи и почистване

Фурната винаги трябва да бъде чиста. Остатъци от храна поради разливания или пръски привличат микровълновата енергия, което може да доведе до изгарянето на остатъците. Това може да намали ефикасността на фурната и да доведе до появяването на лоши миризми. Не се опитвайте да си играете или да извършвате регулиране и ремонти на която и да е част от фурната. Ремонтите трябва да бъдат извършвани само от квалифициран сервизен техник.

Уверете се, че фурната е изключена или че щепселът е изваден от контакта преди почистване.

Почистване на принадлежностите (въртяща се стъклена чиния и аксесоари)

Почиствайте ги с мек препарат след изваждането им от отделението. Държачът на диска трябва да бъде обработен внимателно.

Предупреждение: Вътрешността на фурната и въртящата се стъклена чиния стават много горещи, за това не ги докосвайте веднага след използване.

Почистване на вътрешността

Винаги поддържайте вътрешността на фурната чиста. Избърсвайте незабавно разлети течности и пръски. Замърсявания, които остават по стените на фурната, лентата и повърхността на вратата поглъщат микровълнова енергия, намаляват ефикасността на фурната и могат да повредят вътрешните стени. Използвайте мек течен препарат за почистване, топла вода и мек чист парцал за отстраняване на замърсяванията.

Никога не използвайте абразивни почистващи вещества, почистващи вещества за фурни в промишлеността или стоманени телчета за почистване на която и да е част от фурната.

За по-лесно почистване на трудноотстраними петна поставете да заври в микровълновата фурна чаша с вода за 2 или 3 минути.

Никога не използвайте нож или други прибори за отстраняване на петна от повърхностите на фурната.

За премахване на миризми от вътрешността на фурната оставете в нея да ври чаша с вода и две лъжички лимонов сок в продължение на 5 минути.

Почистване на външната част

Отворете вратата на фурната, когато почиствате контролния панел. Това ще предотврати случайно включване на фурната. Трябва да почиствате външните повърхности на фурната с мек течен препарат за почистване. След това минете с чиста вода за отстраняване на евентуално останал препарат. Подсушете с мек парцал.

Могат да бъдат използвани почистващи препарати за стъкла или препарати за обща употреба. Никога не използвайте абразивни почистващи вещества, телчета или твърди химикали за почистване на външните повърхности на фурната. За да предотвратите повреждането на работните части не позволявайте попадането на вода във вентилационните отвори.

След – продажбен сервиз и резервни части

Ако уредът не работи добре, направете следните проверки преди да се свържете със След – продажбения сервиз.

Ако фурната не стартира:

- Проверете дали уреда е включен към електрическата мрежа.
- Проверете дали щепсела е правилно поставен.
- Ако е възможно подменете предпазителя в щепсела с друг със същия номинал и проверете дали щепсела е сглобен правилно.
- Проверете дали всички ключове по ел. веригата са във включена позиция.
- Проверете дали стенният контакт работи като включите друг уред в него ,за който знаете със сигурност, че работи.
- Проверете бушоните във таблото с бушони.

Ако фурната е захранена с електричество но не оперира:

- Устройството за детска безопасност може да е включено (опция в някои модели).
- Проверете дали фурната е правилно настроена.
- Проверете настройките/процедурите дадени в книгата с инструкции.
- Проверете дали вратата е затворена добре. (Ако чати от храна или други обекти залепнат на пътя на вратата, тя няма да се затвори добре и фурната няма да готви).
- Проверете дали бутона за старт е активиран.

Ако уреда все още не работи след горните проверки, свържете се с местният сервиз на Electrolux .Адресите могат да се намерят на следващите страници на тази книжка.

Важно:

Ако повикате техник за един от по-горните проблеми или за причинена от некоректен монтаж или експлоатация повреда, сметка ще бъде начислена дори ако уреда е все още в гаранция.

Когато търсите помощ от след-продажбеният сервиз , ще бъдете помолен за следната информация:

1. Вашето име, адрес и пощенски код
2. Вашият телефонен номер
3. Ясни и кратки детайли за повредата
4. Номера на модела
5. Серийният номер
6. Дата на закупуване

Ние Ви препоръчвам да попълните информацията по-долу, за да се улесните при евентуална нужда.

Номер на модела:.....

Сериен номер:.....

Дата на закупуване:.....

Ако уреда е все още в гаранция, трябва да сте сигурни , че съответните проверки са направени , защото сметка ще бъде начислена ако повредата не е механична или електрическа.

Моля помнете, че вашето доказателство за покупка ще бъде поискано за всякакви работи по уред в гаранция.

Резервни части

Резервни части могат да се поръчат чрез Вашият след-продажбен сервизен център.

Обслужване на клиенти

За всякакви запитвания за Вашият уред Electrolux или за друга информация за Electrolux продукти, свържете се с Центъра за работа с клиенти по пощата или телефона.

Условия на гаранцията

Electrolux предлага следните гаранции при закупуване на уреда:

1. Гаранцията е валидна за 24 месеца от момента на закупуване на уреда от новият му собственик, което се потвърждава от фактура за продажба или друг подобен документ.Гаранцията не важи за случай на уред използван за комерсиални цели.
2. Гаранцията покрива всички части и компоненти, които са се повредили вследствие на погрешен монтаж или некачествени части.Гаранцията не покрива уреди, които са се повредили или не работят добре поради злоупотреба, повреди при инциденти, занемаряване, погрешен монтаж , неоторизирана модификация или опити за поправка, комерсиална употреба, повреда възникнала от неспазване на инструкциите и препоръките от тази книжка.Тази гаранция не покрива части като крушки, подвижни стъклени и пластмасови аксесоари.
3. Ако са нужни поправки от гаранцията, купувачът трябва да информира най – близкия сервиз (Electrolux сервиз или оторизиран такъв). Electrolux си запазва правото да уговаря мястото за отстраняване на повредата (в т.ч. домът на собственика, място на инсталацията или сервиза).
4. Гаранцията или безплатната подмяна включват както работата така и частите.
5. Поправките направени по време на гаранцията не удължават срока на самата гаранция.Частии свелени по време на поправка в гаранция стават собственост на Electrolux.
6. Статута и правата на купувача не са зесегнати от тази гаранция.

Европейска гаранция

Ако се преместите в друга държава в Европа, то гаранцията продължава да важи и в новия Ви дом със следните условия:

- Гаранцията стартира от момента на закупуване на уреда.
- Гаранцията е със същата продължителност и условия на труд иподмяна на частите , които съществуват в новата страна за тази марка продукти.
- Тази гаранция се отнася до Вас и не може да се прехвърля на друг ползвател.
- Вашия нов дом е в рамките на Европейския съюз (ЕС) или Европейската зона за свободна търговия.
- Този уред е монтиран и използван според инструкциите и се ползва само в домакинството, т.е. нормална домакинска работа.
- Този продукт е монтиран според условията в новата страна.

Obsah

Pred prvým použitím	4
Bezpečnostné pokyny	4
– Vhodný kuchynský riad	4
– Testovanie kuchynského riadu	5
– Príprava pokrmov	5
Technické údaje	6
Tabuľka varných nádob a príslušenstva	6
Inštalácia	7
– Vybalenie	7
– Inštalácia	7
– Zapojenie do elektrickej siete	7
Používanie mikrovlnnej rúry	8
– Označenia a funkcia jednotlivých častí	8
– Inštalácia rotačného taniera	8
– Ovládací panel	9
– Mikrovlnná prevádzka	10
– Tabuľka výkonových stupňov	10
Tabuľky a tipy	11
– Rozmrazovanie	11
– Tipy pre mikrovlnnú prevádzku	12
Ošetrovanie a čistenie	13
– Čistenie príslušenstva	13
– Čistenie spotrebiča zvnútra	13
– Čistenie spotrebiča zvonka	13
Servis a náhradné diely	14
– Náhradné diely	14
– Záruka	14

Blahoželáme vám ku kúpe novej mikrovlnnej rúry

Ďakujeme vám, že ste si vybrali výrobok značky Electrolux. Sme presvedčení, že sa vaša nová mikrovlnná rúra stane užitočným pomocníkom vo vašej domácnosti. Tak ako pri iných domácich elektrospotrebičoch, aj pri tomto výrobku budete potrebovať určitý čas, aby ste sa naučili využívať všetky jeho funkcie a prednosti. Veríme, že sa pre vás stane vaša nová mikrovlnná rúra nepostrádateľnou.

Pred prvým použitím

Tento návod na používanie si dôkladne prečítajte. Ak ho preštudujete pozorne a budete sa riadiť uvedenými pokynmi, dosiahnete optimálne využitie vašej mikrovlnnej rúry Electrolux.

Návod na používanie je dôležitou súčasťou mikrovlnnej rúry. Ak spotrebič predáte, darujete, alebo ho necháte v starom byte, postarajte sa o to, aby sa návod na používanie dostal do rúk nového majiteľa. Ďalší užívateľ sa tak bude môcť oboznámiť s obsluhou spotrebiča a bezpečnostnými pokynmi.

Pred prvým použitím spotrebiča si pozorne prečítajte tento návod a riadte sa uvedenými pokynmi.

Bezpečnostné pokyny

- Vďaka zabudovanému bezpečnostnému spínaču sa mikrovlnná rúra nedá spustiť, keď sú jej dvierka otvorené.
- Za žiadnych okolností sa nesnažte uviesť mikrovlnnú rúru do prevádzky pri otvorených dviernach, aby ste sa nevystavili vplyvu mikrovln.
- Dbajte na to, aby sa na tesnení dviernok neusadzovali zvyšky jedál alebo čistiaceho prostriedku. Prečítajte si kapitolu o čistení a ošetrovaní mikrovlnnej rúry.
- V prípade poruchy alebo poškodenia mikrovlnnú rúru v žiadnom prípade nepoužívajte. Opravu spotrebiča prenechajte kvalifikovaným servisným technikom.
- Je dôležité, aby sa dvierka mikrovlnnej rúry zatvárali bez problémov. Dvierka nesmú byť ohnuté, spojovacie kĺby a čapy nesmú byť zlomené alebo inak poškodené a tesnenie dviernok nesmie byť narušené.
- Za žiadnych okolností sa nepokúšajte opraviť spotrebič sami. Je nebezpečné upravovať alebo pozmeňovať spotrebič a jeho vlastnosti. V prípade poruchy sa obráťte na najbližšie autorizované servisné stredisko. Zoznam autorizovaných servisných stredísk je priložený.
- Nikdy neodstraňujte vonkajší plášť, dvierka alebo ovládací panel spotrebiča. Hrozí nebezpečenstvo zásahu elektrickým prúdom.
- Pri inštalácii a zapájaní mikrovlnnej rúry do elektrickej siete sa riadte pokynmi v kapitole Inštalácia.
- Mikrovlnnú rúru používajte len na špecifické účely, popísané v tomto návode. Pri čistení mikrovlnnej rúry nepoužívajte korozívne chemikálie.
- Mikrovlnná rúra je určená predovšetkým na tepelnú úpravu, zohrievanie a rozmrazovanie jedál. Mikrovlnná rúra nie je určená na priemyselné, laboratórne a komerčné účely. Pri používaní mikrovlnnej rúry na nevhodné účely záruka stráca platnosť.
- Nikdy nezapínajte prázdnu mikrovlnnú rúru. V opačnom prípade môže dôjsť k poškodeniu vnútorného magnetrónového zariadenia.
- Mikrovlnnú rúru nikdy neumiestňujte v exteriéroch. Rovnako mikrovlnnú rúru nepoužívajte v blízkosti vody.
- Nedovoľte, aby sa do mikrovlnnej rúry dostali novinový papier alebo suché textilie. Môžu sa vznietiť.
- Deti smú obsluhovať mikrovlnnú rúru bez dohľadu dospelých, len ak sú oboznámené s bezpečnou prevádzkou a sú si vedomé nebezpečenstva, ktoré súvisí s nesprávnym používaním.
- Mikrovlnnú rúru nepoužívajte na skladovanie potravín. Ak je mikrovlnná rúra mimo prevádzky, nenechávajte v nej zvyšky papierov, obalov a kuchynské náradie.

Vhodný kuchynský riad

- Na používanie v mikrovlnnej rúre je vhodné najmä sklo, sklokeramika a predovšetkým tepluvzdorný sklenený riad. Mikrovlnná energia nepôsobí na väčšinu sklenených a porcelánových nádob, riad sa však zohreje vplyvom tepla z pokrmov. Pri vyberaní pokrmov z mikrovlnnej rúry použite ochranné rukavice, aby ste predišli popáleninám.

Testovanie kuchynského riadu

- Do mikrovlnnej rúry vložte kuchynskú nádobu spolu s pohárom plným vody a výkon nastavte na 800 W (100%). Čas ohrievania nastavte na jednu minútu. Ak je riad horúci, nemali by ste ho používať. Ak je mierne teplý, môžete ho používať na zohrievanie jedál. Ak má riad izbovú teplotu, môžete ho používať aj na tepelnú úpravu pokrmov.
- Obaly z materiálov, ako sú napr. servítky, voskový papier, papierové utierky, papierové šálky, kartónové škatule a lepenkové obaly sú vhodné pre použitie v mikrovlnnej rúre. Pred použitím sa vždy ubezpečte, že nie sú prázdne, aby ste zabránili prehriatiu.
- V mikrovlnnej rúre môžete používať veľa druhov umelohmotných riadov, šálok a obalov. Vždy sa riaďte pokynmi výrobcu. Plastové obaly nepoužívajte, ak obsahujú príliš mastné jedlá alebo jedlá s vysokým obsahom cukru. Pri ich zohriatí môže dôjsť k poškodeniu obalu.
- V mikrovlnnej rúre nikdy nepripravujte bez dozoru jedlá v plastových, papierových alebo horľavých obaloch. Ak sa objaví dym, nechajte dvierka zatvorené, rúru vypnite, odpojte ju od elektrickej siete a počkajte, kým pokrm prestane dymiť.
- Kovový riad alebo riad s kovovým lemovaním, resp. ornamentom by ste v mikrovlnnej rúre nemali používať, ak to výrobca vyslovene neodporúča.
- V mikrovlnnej rúre nezohrievajte pokrmy v obaloch s úzkym otvorom, ako sú napr. fľaše.
- Pri snímaní pokrievok a uzáverov kuchynských nádob buďte opatrní a použite rukavice, aby ste predišli popáleninám.

Príprava pokrmov

- V mikrovlnnej rúre nikdy nezohrievajte potraviny v plechoviciach. Najprv ich preložte do nádoby, ktorú je vhodné používať v mikrovlnnej rúre.
- V mikrovlnnej rúre nikdy nefritujte a nepripravujte príliš mastné jedlá. Vzhľadom na to, že sa teplota tuku nedá kontrolovať, môže dôjsť k nebezpečným situáciám.
- Pukance môžete v mikrovlnnej rúre pripravovať len v špeciálnych obaloch, určených na tento účel. Tento proces treba neustále sledovať.
- Potraviny s pevnou šupou, resp. nepórovitou kožou (napr. jablká, zemiaky, kuracie pečienky, vaječné žĺtko), vždy prepichnete, aby ste zabránili tak utajenému varu vo vnútri pokrmov a ich následnej explózií.
- Detskú výživu po zohriatí dobre premiešajte alebo pretrepte, aby sa teplo rovnomerne rozložilo. Skôr, ako výživu dieťaťu podáte, bezpodmienečne skontrolujte jej teplotu.

Upozornenie: Pri zohrievaní polievok, nápojov a omáčok v mikrovlnnej rúre sa môže stať, že pokrm vykypí bez toho, aby ste spozorovali bod varu. Aby ste sa vyhli uvedenému javu, odporúčame:

1. Nepoužívajte nádoby s úzkym hrdlom.
2. Pokrmy neprehrievajte.
3. Pokrmy pred ich zohrievaním v mikrovlnnej rúre, ako aj v polovici procesu zohrievania premiešajte.
4. Po zohriatí nechajte pokrmy ešte chvíľu v mikrovlnnej rúre, a potom ich zamiešajte.

- Niektoré potraviny ako napr. celé vajcia alebo pokrmy v uzatvorených pohároch, môžu pri zohrievaní explodovať, preto ich neodporúčame pripravovať v mikrovlnnej rúre. Ak chcete v mikrovlnnej rúre pripraviť vajíčka, žĺtok vždy prepichnete a potom vajcia zakryte. Pred odokrytím pokrievky počkajte cca jednu minútu.

Upozornenia:

- Nikdy sa nepokúšajte násilím otočiť rotačný tanier; mohli by ste ho poškodiť.
- Príčinou iskrenia v mikrovlnnej rúre býva kovová kuchynská nádoba. Iskrenie môže spotrebič vážne poškodiť, preto treba program okamžite zastaviť a použitú nádobu skontrolovať.
- Dbajte na to, aby ventilačné otvory vo vrchnej, zadnej, bočnej a spodnej časti spotrebiča zostali voľné.

Spotrebič nepoužívajte na komerčné účely.

Mikrovlnná rúra je určená na používanie v domácnosti.

Dodržiavajte vyššie uvedené pokyny.

Tabuľka varných nádob a príslušenstva

Na tepelnú úpravu pokrmov v mikrovlnnej rúre môžete používať množstvo druhov riadov a príslušenstva. V záujme bezproblémovej prevádzky, vlastnej bezpečnosti a maximálnej účinnosti si vyberte to najvhodnejšie pre daný druh tepelnej úpravy pokrmu. Ponúkame Vám stručný prehľad všeobecne používaných nádob:

MATERIÁL	Riad	Mikrovlnná tepelná úprava
keramika a sklo	porcelán bez kovovej dekorácie tepluvzdorné sklenené nádoby sklenené nádoby s kovovými ornamentami nádoby z olovnatého krištáľu	ÁNO ÁNO* NIE NIE
čínsky porcelán	bez kovových ozdôb	ÁNO
porcelán *	bez kovových ozdôb	ÁNO
plast	tepluvzdorné plastové obaly plastové obaly	ÁNO ÁNO
kov	plechy na pečenie alobal**	NIE ÁNO
papier	šálky, tanieriky	ÁNO
voskový papier		ÁNO
drevo		NIE
príslušenstvo	rotačný tanier podložka pod tanier	ÁNO ÁNO
ÁNO: vhodné používať v mikrovlnnej rúre NIE: nevhodné používať v mikrovlnnej rúre		
* Ak glazúra neobsahuje kov, alebo ak nádoby nemajú kovovú dekoráciu. ** POZNÁMKA: Alobal sa používa na zakrytie a ochranu potravín; môže spôsobovať iskrenie.		

Technické údaje

Vonkajšie rozmery	šírka 489 mm
	hĺbka 422 mm
	výška 287 mm
Vnútorné rozmery dutiny	šírka 335,8 mm
	hĺbka 314 mm
	výška 206 mm
Objem	21 litrov
Hmotnosť	14,4 kg
Zapojenie	230 V, 50 Hz
Poistka	10 A
Spotreba energie mikrovlnnej rúry	1250 W

Inštalácia

Vybalenie

Po vybalení skontrolujte, či spotrebič počas prepravy neutrpel škody. A zistíte, že je rúra poškodená alebo nejaká jej časť chýba, bezodkladne sa obráťte na vášho dodávateľa. Rúra a jej príslušenstvo môže byť zabalené do ochrannej fólie. Pred prvým použitím spotrebiča treba fóliu bezpodmienečne odstrániť.

Obalový materiál odstráňte z dosahu detí.

Inštalácia

1. Z dvierok spotrebiča odstráňte všetky reklamné nálepky.
2. Spotrebič umiestnite na rovný a hladký povrch. Miesto umiestnenia spotrebiča musí byť dostatočne pevné, aby udržalo hmotnosť spotrebiča (13,5 kg) a jeho obsah, a stabilné, aby nedošlo k vzniku vibrácií.
3. Mikrovlnnú rúru umiestnite v dostatočnej vzdialenosti od vody a zdrojov tepla, ako sú napr. radiátor a boiler, aby ste sa vyhli zníženiu výkonu a poškodeniu spotrebiča.
4. Ventilačné otvory v dolnej a bočných častiach spotrebiča nechajte voľné. Na hornú stranu spotrebiča nedávajte žiadne predmety. Pri zablokovaní ventilačných otvorov počas prevádzky sa môže rúra prehriať a následne poškodiť. Z ventilačných otvorov prúdi horúci vzduch. Dbajte na to, aby boli otvory vždy voľné, a aby sa medzi rúrou a zadnú stenu nedostali napr. záclony.
5. Mikrovlnnú rúru umiestnite čo najďalej od rádia alebo televízie. Tento spotrebič zodpovedá požiadavkám pre potlačenie rušenia príjmu *, ak ho však položíte príliš blízko rádia alebo televízie, môže sa príjem narušiť.
6. Ak rúru umiestnite do rohu, v záujme dostatočnej ventilácie zachovajte odstup od stien aspoň 10 cm.

* Tento spotrebič zodpovedá smernici 87/308/EWG, ktorá sa týka opatrení proti rušeniu príjmu.

Dôležité upozornenie!

Rúru môžete umiestniť kdekoľvek v kuchyni. Položte ju na rovnú a pevnú podložku. Ventilačné otvory a dolná časť spotrebiča musia zostať bezpodmienečne voľné (dostatočná ventilácia).

Zapojenie do elektrickej siete

SPOTREBIČ MUSÍ BYŤ BEZPODMIENEČNE UZEMNENÝ!

Výrobca nezodpovedá za škody spôsobené nerešpektovaním tohto bezpečnostného pokynu.

Spotrebič je dodávaný s prípojným káblom a štandardnou euro-zástrčkou pre zapojenie do elektrickej siete s parametrami 230 V, 50 Hz prostredníctvom uzemnenej elektrickej zásuvky.

Uzemnenie minimalizuje nebezpečenstvo skratu. Skontrolujte či nominálne napätie spotrebiča zodpovedá prípojnému napätiu na mieste inštalácie.

Ak hodláte rúru zapojiť do elektrickej siete prostredníctvom predlžovacieho kábla, skontrolujte, či je kábel uzemnený.

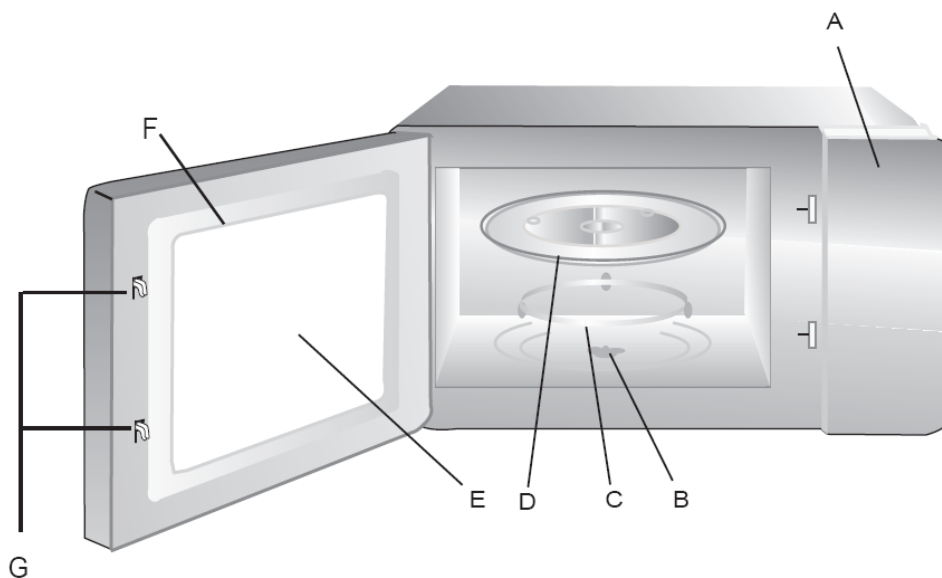
V prípade problémov alebo pochybností ohľadne zapojenia spotrebiča do elektrickej siete a uzemnenia sa obráťte na kvalifikovaného elektrikára.

Spotrebič musí byť bezpodmienečne uzemnený. Ak zástrčka spotrebiča nie je kompatibilná so zásuvkou na mieste umiestnenia, môžete zástrčku odstrihnúť a nahradiť ju novou. Z oddelenej zástrčky odstráňte poistku a zástrčku zlikvidujte, aby nedošlo k jej zapojeniu v inej zásuvke, čo by mohlo mať za následok úraz elektrickým napätím. Ak treba v dodávanej zásuvke vymeniť poistku, musíte nahradiť aj kryt poistky. Ak je kryt poistky poškodený alebo sa stratil, nesmiete zástrčku používať dovtedy, kým vám autorizovaný servisný technik nenainštaluje nový kryt poistky.

Pri výmene zástrčky spotrebiča postupujte takto:

1. Z odstrihutej zástrčky odstráňte poistku.
2. Odstrihnutú zástrčku potom odstráňte, aby ste predišli nebezpečenstvu, ktoré hrozí pri zapojení zástrčky do niektorej zásuvky elektrickej inštalácie.

Používanie mikrovlnnej rúry



Označenie a funkcia jednotlivých častí

- A. Ovládací panel
- B. Hriadeľ rotačného taniera
- C. Podložka pod rotačný tanier
- D. Podložku umiestnite na dno dutiny rúry pod rotačný tanier.
- E. Rotačný tanier
- F. Je vyrobený zo špeciálneho tepluvzdorného skla. Pokrm vo vhodnej nádobe treba položiť na rotačný tanier. Rúru nepoužívajte bez rotačného taniera.
- G. Priehľadné okienko dverí

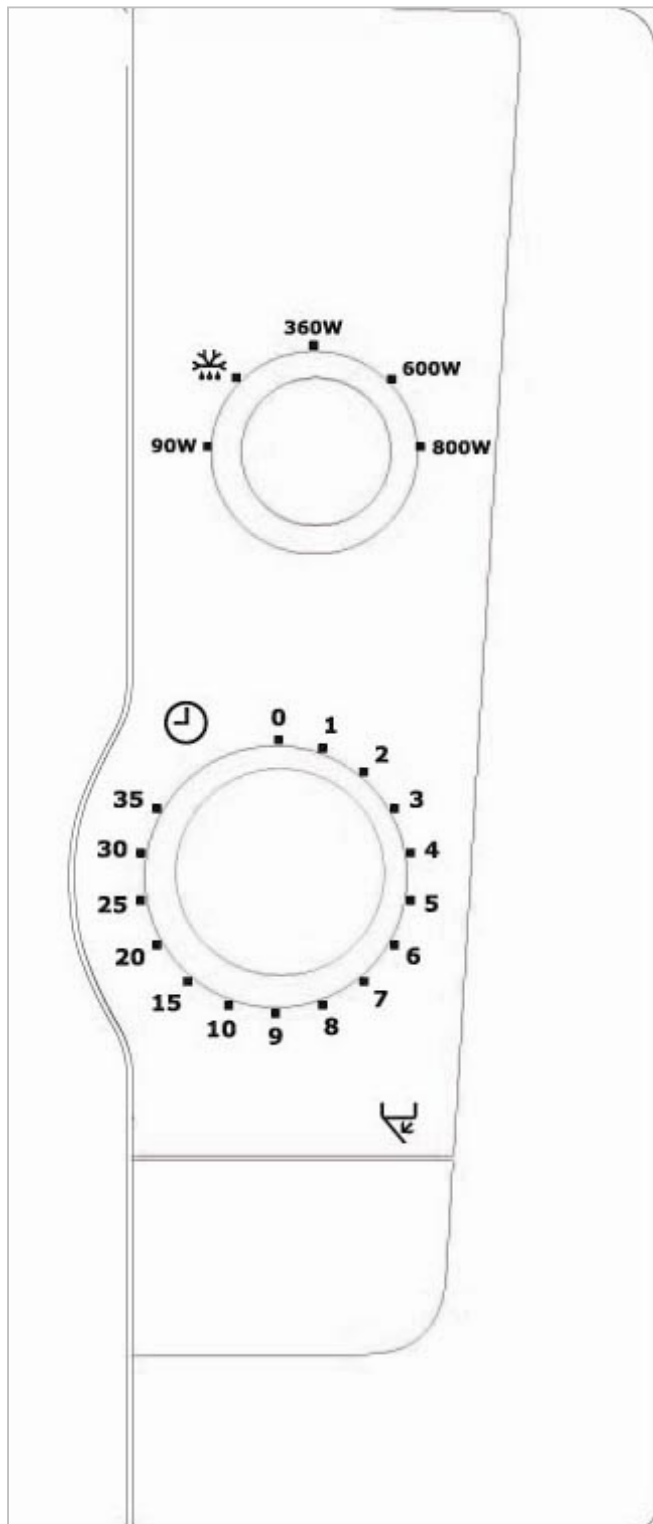
Inštalácia rotačného taniera

1. Podložku rotačného taniera položte na dno dutiny rúry.
2. Na podložku umiestnite rotačný tanier podľa pokynov na obrázku. Dbajte na to, aby bol rotačný tanier pevne prichytený v hriadelí.

Rotačný tanier nikdy nedávajte obrátene.

- Rúru nikdy nepoužívajte bez podložky a rotačného taniera.
- Pri tepelnej úprave musí byť pokrm vo vhodnej nádobe položený na rotačnom tanieri.
- Rotačný tanier sa otáča v smere aj proti smeru hodinových ručičiek.

Ovládací panel



Ovládač výkonu

Slúži na nastavenie požadovaného výkonu v škále od 90 do 800 W.

Ovládač času

Slúži na nastavenie požadovaného času. Po nastavení času sa rúra spustí. Ovládač času bude pracovať presnejšie, ak najprv nastavíte vyššiu hodnotu, a potom hneď vrátite ovládač na požadovanú hodnotu.

Mikrovlnná prevádzka

1. Otvorte dvierka, pokrm vo hodnej nádobe položte na rotačný tanier a dvierka zatvorte.
2. Ovládačom výkonu nastavte zvolte požadovaný výkon (pozri nasledujúcu tabuľku).
3. Otočením ovládača času nastavte požadovaný čas tepelnej úpravy pokrmu.
4. Rúra začne pracovať.

Ak si želáte, aby tepelná úprava pokrmu trvala kratšie ako 2 minúty, nastavte najprv vyššiu hodnotu, a potom hneď vráťte ovládač na požadovanú hodnotu.
Ak chcete tepelnú úpravu pokrmu skončiť, otočte ovládač času do polohy 0.

Upozornenie: Po každom použití rúry nastavte ovládač času do polohy 0, inak bude rúra pokračovať v prevádzke.

Príklad: 20-minútová tepelná úprava pri výkone 600W

1. Otočný ovládač výkonu nastavte na hodnotu 600 W.
2. Otočný ovládač času nastavte na hodnotu 20.
3. Rúra bude automaticky pracovať 20 minút pri výkone 600 W.

Zohrievanie hotových chladených pokrmov

- Pokyny výrobcov hotových pokrmov ohľadne času zohrievania, uvedené na obale výrobku, slúžia len pre orientáciu. Ak po uplynutí odporúčaného času zohrievanie pokrmu nie je teplý, vráťte ho do mikrovlnnej rúry a zohrievajte ho dlhšie. Postupujte podobne ako pri zohrievaní v bežnej rúre na pečenie.
- Pokrmu pravidelne premiešavajte, predovšetkým omáčky a polievky.
- Veľmi dôležitý je aj čas odstavenia pokrmu, ktorý je súčasťou procesu tepelnej úpravy pokrmu a zabezpečuje rovnomerné rozdelenie teploty v celom pokrme.

Tabuľka výkonových stupňov

Výkon	Využitie
90 W	Udržiavanie teploty pokrmov.
180 W	Rozmrazovanie mrazených pokrmov
360 W	Mierny výkon dokončovanie niektorých pokrmov, hustých polievok a gulášov, pečenie pudingov a syrových koláčov
600 W	Stredný výkon rýchlejšie rozmrazovanie a zohrievanie hustých polievok a gulášov Stredný výkon pečenie koláčov a pudingov
800 W	Zohrievanie zohrievanie hotových pokrmov, pečenie mäsa a hydiny Max. výkon zohrievanie vody alebo tekutín, tepelná úprava zeleniny, prehrievanie a zapekanie pokrmov

Rozmrazovanie

Niektoré pokrmy, ako sú napr. ovocie a chlieb, môžete účinne rozmrazovať pri výkonovom stupni 180W

Pokrm	Príprava	Čas	Odstátie
Chlieb			
Menší bochník	Položte na vhodný podstavec alebo špeciálny kuchynský papier. V polovici rozmrazovania obráťte.	8-10 min	10-15 min
Krájaný väčší bochník	Položte na vhodný podstavec alebo špeciálny kuchynský papier. V polovici rozmrazovania obráťte.	10-13 min	10 min
2 krajce	Položte na špeciálny kuchynský papier.	45-60 s	5 min
1 žemľa	Položte na špeciálny kuchynský papier.	45-60 s	5 min
2 žemle	Položte na špeciálny kuchynský papier.	1-1,5 min	5 min
Koláče a cestoviny			
Torta 450 g	Odbaľte a položte na tanier.	9-11 min	15-30 min
Syrový koláč 450 g	Odbaľte a položte na tanier.	9-11 min	15-30 min
Koláč 450 g	Odbaľte a položte na tanier.	7-9 min	15-30 min
Múčne jedlo 450 g	Odbaľte a položte na tanier.	7-9 min	15-30 min
Maslo			
250 g (1 balenie)	Odbaľte a položte na tanier.	3-4 min	5-10 min
Ovocie			
Mäkké bobuľovité ovocie 225 g	Položte v jednej vrstve na plytký tanier.	5-6 min	5-10 min
Mäkké bobuľovité ovocie 450 g	Položte v jednej vrstve na plytký tanier.	7-8 min	5-10 min
Krájaný pokrm			
400 g	Prikryte tanierom alebo vhodnou fóliou (nie PVC). Ak chcete pokrm aj zohriať, zvolte 100% výkon (800 W) a nastavte čas 3-4 minúty.	7-8 min	5-10 min
Zelenina			
	Zeleninu pred tepelnou úpravou nemusíte rozmrazovať. Ak chcete zeleninu rozmraziť aj zohriať, zvolte maximálny výkon (100%).		

Tipy pre mikrovlnnú prevádzku

- Rúru udrzte vždy čistú. Dbajte na to, aby pokrmy nevykypeli a nezabudnite vyčistiť plochu pod skleneným rotačným tanierom a vnútornú stranu dvierok.
 - Pri tepelnej úprave v mikrovlnnej rúre používajte okrúhle a oválne nádoby.
 - Nepoužívajte kovový riad alebo riad s kovovou dekoráciou. Niektoré druhy plastu sa môžu vplyvom tepla z pokrmu roztopiť a zdeformovať.
 - Jedlo pripravujte vždy zakryté. Použite sklenenú pokrievku, tanier alebo špeciálny papier.
 - Pečivo, chlieb a iné múčniky môžete rozmrazovať priamo v košíku alebo na kuchynskom papieri.
 - Ak rozmrazujete jedlo v pôvodnom obale, otvorte ho. Odstráňte kovové spoje a spinky. Obaly s obsahom kovu nikdy nedávajte do mikrovlnnej rúry, iba ak to výrobca výslovne odporúča.
 - Na ochranu tenkých a chústovitých kúskov (nohy kurčaťa) použite alobal.
 - Jedlá v šupke alebo potiahnuté kožou (zemiaky, klobásky) pred tepelnou prípravou prepichnete. V rúre nepripravujte vajcia, pretože môžu explodovať.
 - Pri tepelnej úprave väčších kusov dbajte na to, aby boli najhrubšie kusy na okrajoch nádoby. Pokrm sa snažte rozporciovať rovnomerne. Pokrm umiestnite vždy do stredu nádoby.
 - Jedlo sa pripraví rovnomerne, ak ho počas tepelnej úpravy občas premiešate.
 - Pri príprave pokrmu zvolte najskôr kratšiu dobu prípravy, aby ste sa vyhli prevareniu. Čím je jedla viac, tým dlhší čas je potrebný na jeho prípravu.
 - Pri príprave zeleniny používajte len minimálne množstvo vody.
 - Používajte menej dochucovadiel ako pri normálnej tepelnej úprave. Pokrm okoreňte až po skončení tepelnej úpravy.
 - V záujme rovnomernej tepelnej úpravy nechajte jedlo v mikrovlnnej rúre vždy pár minút odstáť.
 - Pred servírovaním skontrolujte, či je jedlo dostatočne teplé.
 - Pri vyberaní pokrmu z rúry používajte rukavice.
- **Zjemnenie medu**
Ak chcete vrátiť skryštalizovaný med od pôvodného stavu, odnítte veko nádoby, nádobu vložte do mikrovlnnej rúry, nastavte stredný výkon a rúru nechajte pracovať 2 minúty
 - **Roztopenie čokolády**
100 g čokolády rozlámte na kúsky, vložte do vhodnej nádoby, zohrievajte 1-2 minúty pri najvyššom výkone a potom dobre premiešajte.
 - **Zmäkčenie alebo roztopenie masla**
Maslo sa roztopí za niekoľko sekúnd pri maximálnom výkone. Na zmäkčenie postačí nižší výkonový stupeň.
 - **Zohrievanie chleba**
Na niekoľko sekúnd zvolte stredný výkonový stupeň.
 - **Jednoduché šúpanie cesnaku**
3 alebo 4 strúčiky cesnaku zohrievajte 15 sekúnd pri vysokom výkone. Na konci strúčik stlačte a cesnak sa ľahko zbaví šupy.
 - **Ovocná šťava**
Citrusové plody dajú viac šťavy, ak ich najprv na 15 sekúnd zohrejete pri vysokom výkone.
 - **Príprava obilnej kaše**
Kašu môžete pripraviť jednoducho v mikrovlnnej rúre priamo v servírovacom tanieri bez ulepených hrncov. Riadte sa pokynmi výrobcu pokrmu.

Ošetrovanie a čistenie

Spotrebič udržiajte v čistote. Zvyšky jedál priťahujú energiu mikrovln a pripaľujú sa. To môže mať za následok nižšiu výkonnosť spotrebiča a vznik nepríjemného zápachu.

Nikdy sa nepokúšajte spotrebič opravovať sami. Opravy spotrebiča smie vykonávať výlučne kvalifikovaný servisný technik.

Pred čistením spotrebič odpojte od elektrickej siete.

Čistenie príslušenstva

(rotačného taniera a podložky)

Po odmontovaní umyte príslušenstvo šetrným čistiacim prostriedkom. S príslušenstvom manipulujte opatrne.

Pozor: Vnútro rúry a rotačný tanier sa počas prevádzky rúry značne zahrejú, preto sa ich bezprostredne po použití nedotýkajte.

Čistenie spotrebiča zvnútra

Vnútro rúry udržiajte čisté. Zvyšky jedál a prskance okamžite utrite. Nečistoty na stenách rúry, povrchu dvierok a tesnení pohlcujú mikrovlnnú energiu, redukujú výkon rúry a v krajnom prípade môžu poškodiť jej vnútro.

Na čistenie používajte šetrný tekutý čistiaci prostriedok, teplú vodu a mäkkú, čistú handričku.

ZÁSADNE NEPOUŽÍVAJTE ABRAZÍVNE, AGRESÍVNE A KOMERČNÉ ČISTIACE PROSTRIEDKY A DRÔTENKY.

Odolných nečistôt sa zbavíte jednoduchým spôsobom: v mikrovlnnej rúre nechajte zovrieť pohár vody po dobu cca 2-3 minúty.

NA ODSTRÁNENIE NEČISTÔT Z VNÚTORNEHO POVRCHU MIKROVLNNEJ RÚRY NEPOUŽÍVAJTE NŮŽ A INÉ PREDMETY.

Nepříjemný zápach po jedle odstránite týmto spôsobom: v mikrovlnnej rúre nechajte zovrieť po dobu 5 minút pohár s roztokom vlažnej vody a 2 polievkových lyžíc citrónovej šťavy.

Čistenie spotrebiča zvonka

Pri čistení ovládacieho panelu spotrebiča, nechajte pootvorené dvierka. Zabráňte tým neúmyselnému spusteniu spotrebiča.

Vonkajší plášť vyčistite roztokom šetrného čistiaceho prostriedku, potom čistou vodou odstráňte zvyšky čistiaceho prostriedku a následne vytrite dosucha mäkkou handričkou.

Na čistenie okna dvierok môžete použiť bežný univerzálny prostriedok s rozprašovačom. Na čistenie vonkajšej časti spotrebiča nepoužívajte abrazívne a agresívne čistiace prostriedky a drôtenky. Dbajte na to, aby sa pri čistení do ventilačných otvorov nedostala voda.

Servis a náhradné diely

Ak spotrebič nepracuje tak, ako by mal, prečítajte si nasledujúcu kapitolu a riadte sa uvedenými pokynmi.

Spotrebič vôbec nefunguje?

Skontrolujte, či

- je spotrebič zapojený do elektrickej siete;
- je zástrčka zasunutá v zásuvke;
- v prípade potreby vymeňte poistku v zástrčke za novú s rovnakými parametrami a skontrolujte, či je zástrčka správne pripojená ku káblu;
- je zapnutý spínač zásuvky alebo elektrického obvodu;
- sú v poriadku poistky domácej elektrickej inštalácie;
- neide o prerušenie dodávky elektrického prúdu;

Ak sa poistky vypália viackrát za sebou, obráťte sa na kvalifikovaného elektroinštalátora.

Mikrovlnná rúra nepracuje?

Skontrolujte, či

- sú dvierka dobre zatvorené;
- na dvierkach nie sú zachytené zvyšky pokrmov alebo iné predmety;
- sú tesnenia dvierok dokonale čisté;
- ste správne nastavili všetky ovládače;

Ak vám uvedené pokyny nepomôžu a porucha pretrváva aj naďalej, obráťte sa na autorizované servisné stredisko. Zoznam autorizovaných servisných stredísk je priložený.

Kompetentný servisný technik bude od vás požadovať nasledujúce údaje:

1. Meno, adresu a PSČ
2. Telefónne číslo
3. Stručný popis poruchy
4. Model a sériové číslo
5. Dátum kúpy

Tieto údaje umožnia pracovníkom servisu pripraviť správne náhradné diely. Vyhnete sa tak opakovanej návšteve servisných technikov a ušetríte.

Model a výrobné číslo nájdete na typovom štítku spotrebiča. Doporučujeme zapísať si ich do nasledujúceho zoznamu, aby ste ich mali vždy poruke:

Model:

Výrobné číslo: _____

Dátum kúpy: . _____

Ak sa závada vyskytla počas záručnej doby, treba si prichystať aj doklad o kúpe spotrebiča.

Služby servisného strediska počas záručnej doby nebudú bezplatné, ak sa jedná o neopodstatnenú reklamáciu alebo poruchu, spôsobenú nesprávnym použitím spotrebiča. Preto sa dôsledne riadte pokynmi v tejto príručke.

Náhradné diely

Náhradné diely majú k dispozícii výlučne autorizované servisné strediská a zákaznícke centrum. V prípade poruchy sa preto vždy obráťte na autorizované servisné stredisko. Príslušný zoznam je priložený.

Záruka

Electrolux Slovakia, divízia Domáce spotrebiče, poskytuje na výrobky 2-ročnú záruku. Viac informácií o záruke nájdete na priloženom záručnom liste.

Conținut


Inainte de a utiliza cuptorul cu microunde Siguranța în utilizare - Instrucțiuni

– Siguranță în utilizarea grătarului - Instrucțiuni	4
– Testarea compatibilității vaselor	5
– Siguranța mâncării	5
– Ghidul ustensilelor și accesoriilor cuptorului	6

Date tehnice	6
---------------------	----------

Punerea în funcțiune	7
– Despachetarea	7

Instalare	7
– Conectarea la rețea	7
– Conexiuni electrice	7

Cum să utilizezi cuptorul tău cu microunde	8
– Numele și rolul părților componente	8
– Instalarea platanului	8
– Tabloul de comandă	9
– Gătitul cu microunde	10
– Ghidul setării energiei electrice pentru cuptorul cu microunde	10
– Instrucțiuni de decongelare utilizând 	11
– Sugestii pentru utilizarea cuptorului cu microunde	12
– Ingrijire și curățare	13
– Curățarea accesoriilor (platan și suport)	13
– Curățirea interiorului	13
– Curățirea exteriorului	13

Service și piese de rezervă	14
------------------------------------	-----------

Condiții de garanție	15
-----------------------------	-----------

Stimați Clienți

Vă mulțumim că ați ales un produs Electrolux. Suntem convingși că veți ajunge la concluzia că noul d-voastră cuptor cu microunde vă este extrem de util și de mare ajutor. Ca și în cazul altor aparate de bucătărie, veți avea nevoie de timp pentru a vă familiariza cu toate funcțiunile și caracteristicile lui dar, treptat, cuptorul va deveni un accesoriu indispensabil pentru bucătăria d-voastră.

Înainte de a utiliza Cuptorul cu Microunde

Citiți cu atenție instrucțiunile și urmați toate recomandările date; ele au fost concepute pentru a vă da posibilitatea să obțineți un randament maxim de la cuptorul cu microunde Electrolux recent achiziționat. Este important să păstrați manualul cu instrucțiuni pentru a putea fi consultat și în viitor. Dacă vindeți sau înstrăinați aparatul, sau dacă vă mutați lasându-l la vechea locuință, asigurați-vă că noul proprietar primește manualul odată cu cuptorul, având astfel posibilitatea să cunoască modul lui de funcționare și principalele precauții care trebuie urmate pe perioada utilizării sale.

!Siguranța utilizării- instrucțiuni

- Intrerupătoarele de siguranță cuplate și încorporate împiedică cuptorul cu microunde să funcționeze când ușa este deschisă.
- Nu vă atingeți de întrerupătoare, sau nu încercați să puneți în funcțiune cuptorul când ușa este deschisă întrucât operarea lui cu ușa deschisă vă poate expune energiei microundelor.
- Nu lăsați ca stropii de mâncare imprăștiati sau scamele lăsate de lavetă să se acumuleze pe suprafețele izolatoare ale ușii. Vezi secțiunea Curățire și Ingrijire pentru instrucțiunile de curățire.
- Nu puneți în funcțiune cuptorul dacă este defect până când nu este reparat de un personal calificat
- Este deosebit de important ca ușa cuptorului să se închidă complet și ca 1) ușa (ondulări), 2) balamalele și zăvoarele (stricate sau nesigure), 3) etanșările ușilor și suprafețele de etanșare să nu prezinte defectiuni.
- Sub nici un pretext să nu încercați să reparați cuptorul prin forțe proprii. Reparațiile efectuate de persoane fără experiență pot provoca accidente sau funcționarea necorespunzătoare a aparatului. Contactați Atelierul de Service din localitate.
- Nu dislocați carcasa exterioară, ușa sau tabloul de comandă întrucât vă expuneți unui voltaj extrem de înalt.
- Instalați sau poziționați acest cuptor în conformitate cu "INSTRUCIUNILE DE INSTALARE" pe care le găsiți în manual.
- Utilizați aparatul pentru destinația lui așa cum este ea descrisă în manual. Nu utilizați chimicale corozive în acest cuptor conceput pentru a încălzi, găti sau decongela preparatele culinare. El nu a fost proiectat pentru utilizare industrială sau în laborator și nici pentru una comercială întrucât acest lucru ar invalida garanția.
- Nu puneți cuptorul în funcțiune când este gol. Dacă el nu conține alimente sau apă care să absoarbă energia microundelor, tubul magnetronului se poate deteriora.
- Este nevoie de o supraveghere atentă a cuptorului când este utilizat de copii.
- Nu păstrați acest aparat în exterior. Nu-l folosiți în apropierea apei.
- Nu încercați să uscați haine sau ziare în cuptor. Aceste articole se pot aprinde.
- Nu utilizați spațiul gol din interiorul cuptorului pentru a stoca produse. Nu lăsați bucăți de hârtie, ustensile de bucătărie sau alimente în interiorul cuptorului când acesta nu este utilizat.

Testarea compatibilității vasei utilizate la gătit

- Puneți un vas de gătit în cavitate împreună cu un pahar pe jumătate plin cu apă. Acționați cuptorul la 800W (100%) timp de un minut. Dacă vasul s-a înfierbântat, nu trebuie folosit. Dacă s-a încălzit ușor, poate fi utilizat la reîncălzirea mâncării dar nu și la gătit. Dacă a rămas la temperatura încăperii, poate fi folosit la gătitul cu microunde.
- Servetelele de hârtie, hârtia de parafină, farfuriile, ceștile cartoanele, ambalajele de produse congelate sunt ustensile extrem de utile. Asigurați-vă întotdeauna că recipientele sunt pline cu alimente care să absoarbă energia, evitând astfel posibilitatea supraîncălzirii. Multe tipuri de farfurii de plastic, cești, recipiente pentru produse congelate și ambalaje din plastic pot fi utilizate în cuptorul cu microunde.
- Nu lăsați cuptorul nesupravegheat, și uitați-vă la el din timp în timp atunci când încălziți sau gătiți mâncare în plastic, hârtie sau alte recipiente combustibile. Dacă observați fum, țineți ușa închisă și opriți sau deconectați cuptorul până la oprirea fumului.
- Ustensilele metalice și ustensilele cu margini metalice nu ar trebui introduse în cuptorul cu microunde, dacă nu sunt recomandate special în acest sens.
- Recipientele cu deschideri mici, de exemplu sticlele, nu trebuie utilizate la gătitul cu microunde. Fiți precauți când îndepărtați capacul unei farfurii pentru a evita arsurile provocate de aburi.

Siguranța alimentelor

- Nu încălziți mâncare în căni. Transferați întotdeauna alimentele în recipiente potrivite.
- Nu prăjiți carne foarte grasă în cuptorul cu microunde întrucât temperatura grăsimilor nu poate fi controlată, existând riscul apariției unor situații neprevăzute.
- Puteți pregăti popcorn în cuptorul cu microunde, însă doar în pachete sau ustensile special desemnate în acest scop. Această operație de preparate nu trebuie lăsată nesupravegheată.
- Înțepați alimentele cu suprafețe sau membrane neporoase pentru a împiedica acumularea de abur și crăparea lor. Merele, cartofii, ficăței de pui și gălbenușurile de ou sunt exemple de produse care trebuie înțepate..

ATENȚIE: Când încălziți lichide, ex. supe, sau băuturi în cuptorul cu microunde, supraîncălzirea lichidului dincolo de punctul de fierbere poate avea loc fără barbotare, ceea ce poate duce la darea în clocot a lichidului fierbinte. Pentru a împiedica această posibilitate este bine să urmați pașii următori:

1. Evitați folosirea recipientelor cu pereții drepți și gâtul subțire.
 2. Nu supraîncălziți.
 3. Agitați lichidul înainte de a introduce recipientul în cuptor și încă odată la jumătatea timpului afectat încălzirii.
 4. După încălzire, lăsați lichidul în cuptor o perioadă scurtă de timp, amestecându-l cu grijă înainte de a scoate recipientul.
- Unele produse cum ar fi ouăle întregi sau recipientele sigilate – de exemplu borcanele de sticlă cu capac – pot exploda și nu ar trebui încălzite în cuptorul cu microunde. Ocazional, ochiurile pot exploda în timpul gătirii. Înțepați întotdeauna gălbenușul, apoi acoperiți-le și lăsați-le așa un minut înainte de a îndepărta capacul.

NOTĂ:

- Nu forțați rotirea manuală a platanului. Acest lucru poate duce la funcționarea necorespunzătoare a aparatului.
- Formarea unui arc electric în cuptor atunci când microundele sunt în stare de funcțiune se datorează utilizării ustensilelor metalice. Totuși, formarea continuă a acestor arcuri poate deteriora aparatul. Opriți programul și verificați ustensila.
 - Trebuie să evitați obturarea orificiilor de aerisire plasate în părțile de sus, din spate, laterale și de jos ale cuptorului.

Nu folosiți acest cuptor în scopuri comerciale.

Acest cuptor a fost proiectat doar pentru uz casnic.

Păstrați aceste instrucțiuni

Ghidul ustensilelor și accesoriilor cuptorului

Pentru a găti în cuptorul cu microunde pot fi utilizate mai multe tipuri de ustensile și materiale. Pentru siguranța d-voastră și pentru a preveni deteriorarea ustensilelor și a cuptorului alegeți ustensile și materiale potrivite pentru fiecare metodă de gătit.

Lista de mai jos este un ghid general.

Materiale	Ustensile	Mod de operare
		Microunde
Ceramică & Sticlă	Corning ware	DA
	Sticlă rezistentă la căldură	DA*1
	Vase de sticlă cu decorații de metal	NU
	Sticla de cristal plumbuit	NU
Portelan	Porțelanuri fără decorații de metal	DA
Ceramică*2		DA
Materiale plastice	Cuptorul de microunde	DA
	Ambalaje din materiale plastice	DA
Metal	Tigaie metalică pentru copt	NU
	Folie de aluminiu*3	DA
Hârtie	Cești, farfurii, șervete	DA
	Hârtie ceruită	DA
Lemn		NU
Accesorii	Grilaj grătar	NU
	Platan	DA
	Suport platan	DA

DA: Ustensile și accesorii utilizabile

NU: Ustensile și accesorii de evitat

*1 Doar dacă nu au margine metalică.

*2 Doar dacă nu are email care conține metal.

*3 NOTA: Utilizați folie de aluminiu doar în scopuri de protecție, suprautilizarea poate crea arcuri electrice.

Date tehnice

Dimensiuni generale	Greutate 14.4 kg
	Volum 21 Litri
Lățime 485 mm	Sursă de energie 230V, 50 Hz
Adâncime 422 mm	Siguranță 10A
Înălțime 287 mm	
	Consum energie
Dimensiunea Cavității	Microunde 1250W
Lățime 335.8 mm	Energie furnizată
Adâncime 314 mm	Microunde 800W
Înălțime 206 mm	

Punerea în funcțiune

Despachetare

N.B. Când despachetați cuptorul, verificați dacă aparatul nu este deteriorat. Deteriorările sau orice părți lipsă trebuie imediat raportate detailistului. Cuptorul, părți componente ale cuptorului sau accesoriile ar putea fi protejate de o folie ce trebuie îndepărtată înainte de a utiliza cuptorul. Nu abandonați ambalajele care ar putea cădea în mâna copiilor. Acest lucru poate provoca accidente.

Instalare

1. Îndepărtați orice etichetă promoțională de pe ușă.
 2. Instalați cuptorul pe o suprafață plată. Suprafața trebuie să fie suficient de rezistentă pentru a suporta fără probleme greutatea cuptorului (13.5 kg.) și conținutul ulterior al acestuia. Pentru a evita posibilitatea producerii de vibrații sau zgomote, cuptorul trebuie să fie într-o poziție stabilă.
 3. Așezați cuptorul departe de surse de căldură și apă. Expunerea la căldură și umezeală poate reduce eficiența și randamentul, așa că instalați cuptorul departe de sursele menționate.
 4. Nu blocați orificiile de ventilație din părțile de sus și laterale ale cuptorului și nu puneți obiecte pe cuptor. Dacă orificiile de aerisire sunt blocate în timpul funcționării, cuptorul se poate supraîncălzi, ceea ce poate duce la un randament necorespunzător al aparatului. Aerul fierbinte iese prin aceste orificii și în consecință, asigurați-vă că nu le obturați sau că nu există ecranări între cuptor și peretele din spate. Așezați cuptorul cât mai departe posibil de aparate de radio și televizoare. Acest aparat se conformează cerințelor CEE* referitoare la suprimarea interferențelor radio, dar unele interferențe pot apărea dacă aparatul este plasat prea aproape de radio sau televizor.
 6. Dacă așezați cuptorul într-un colț, lăsați un spațiu de cel puțin 10 cm. Între aparat și perete din motive de ventilație.
- Important! Cuptorul poate fi plasat aproape oriunde în bucătărie. Asigurați-vă că este așezat pe o suprafață plată și că orificiile de ventilație și suprafața de sub cuptor nu sunt blocate (pentru a se obține o ventilație suficientă).

*Acest aparat se conformează cerințelor Directivei 87/308/CEE referitoare la Interferențele Radio.

Conectarea la rețea

Cuptorul este livrat împreună cu un cablu electric și o fisă de contact pentru o priză cu împământare de 230V, 50Hz. Protecția oferită de împământare minimizează riscurile în cazul unui scurt-circuit. Verificați dacă voltajul corespunde alimentării. N.B. Dacă cuptorul este conectat la priză printr-un prelungitor, verificați dacă cablul de prelungire este împământat.

ATENȚIE! Acest aparat nu trebuie alimentat de la o sursă de energie neîmpământată. Apelați la un electrician pentru orice problemă referitoare la conectarea electrică a cuptorului sau la asigurarea protecției prin împământare a furnizării de curent.

Acest aparat trebuie împământat. Dacă el este prevăzut cu o fisă de contact ne-recablabilă pentru care priză d-voastră este nepotrivită, fisă trebuie tăiată și cuptorul prevăzut cu o fisă corespunzătoare. Dacă siguranța dintr-o fisă ne-recablabilă trebuie schimbată, învelișul siguranței trebuie reajustat. Dacă învelișul este pierdut sau deteriorat, fisă nu trebuie utilizată până când acest înveliș nu este înlocuit.

Conexiuni electrice

Acest aparat este livrat echipat cu o fisă euro standard cu 2 știfturi !!!!

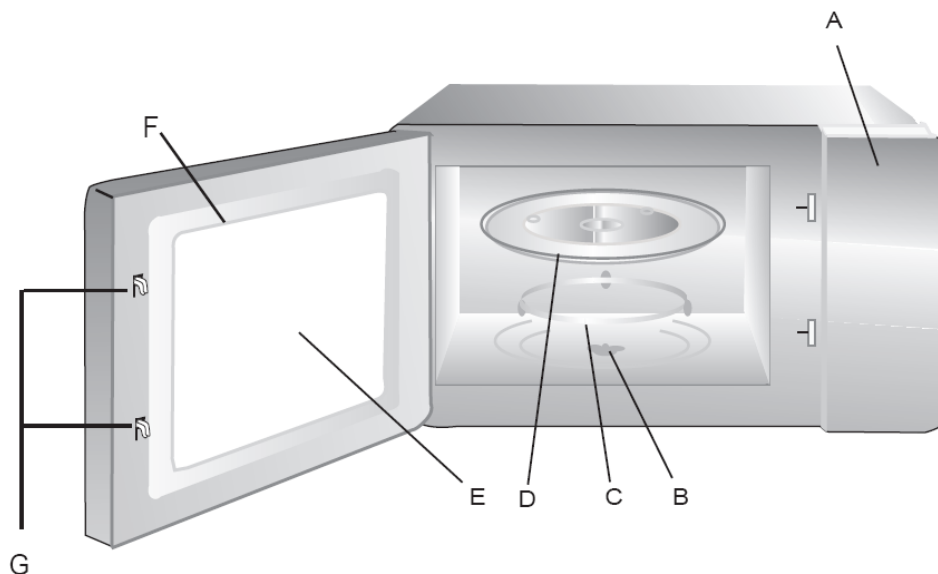
ATENȚIE! ACEST APARAT TREBUIE ÎMPĂMÂNTAT.

Producătorul își declină orice responsabilitate dacă această măsură de siguranță nu este luată în considerare.

- Dacă fisă cu care este echipat aparatul nu este potrivită pentru priză de care dispuneți, ea trebuie tăiată și înlocuită cu una potrivită.

Îndepărtați siguranța din fisă înlocuită. Fisă înlocuită trebuie aruncată pentru a preveni curentările care s-ar produce dacă din întâmplare ar fi introdusă într-o priză în altă parte a casei.

Gătitul la microunde



Numele și funcția părților componente ale platanului

- A. Tabloul de comandă.
- B. Axul de transmisie pentru platan
- C. Suport platan. Puneți suportul în camera de gătit și așezați platanul pe el.
- D. Platanul. Realizat dintr-o sticlă specială rezistentă la căldură. Mâncarea aflată într-un recipient este pusă pe această tavă pentru a fi gătită. Nu folosiți cuptorul fără platan.
- E. Fereastra spre interior. Mâncarea poate fi observată în timp ce cuptorul este în funcțiune.
- F. Ușa cuptorului. Ușa trebuie întotdeauna închisă bine în timpul gătitului.
- G. Cârligul zăvorului și sistemul de blocare de siguranță.

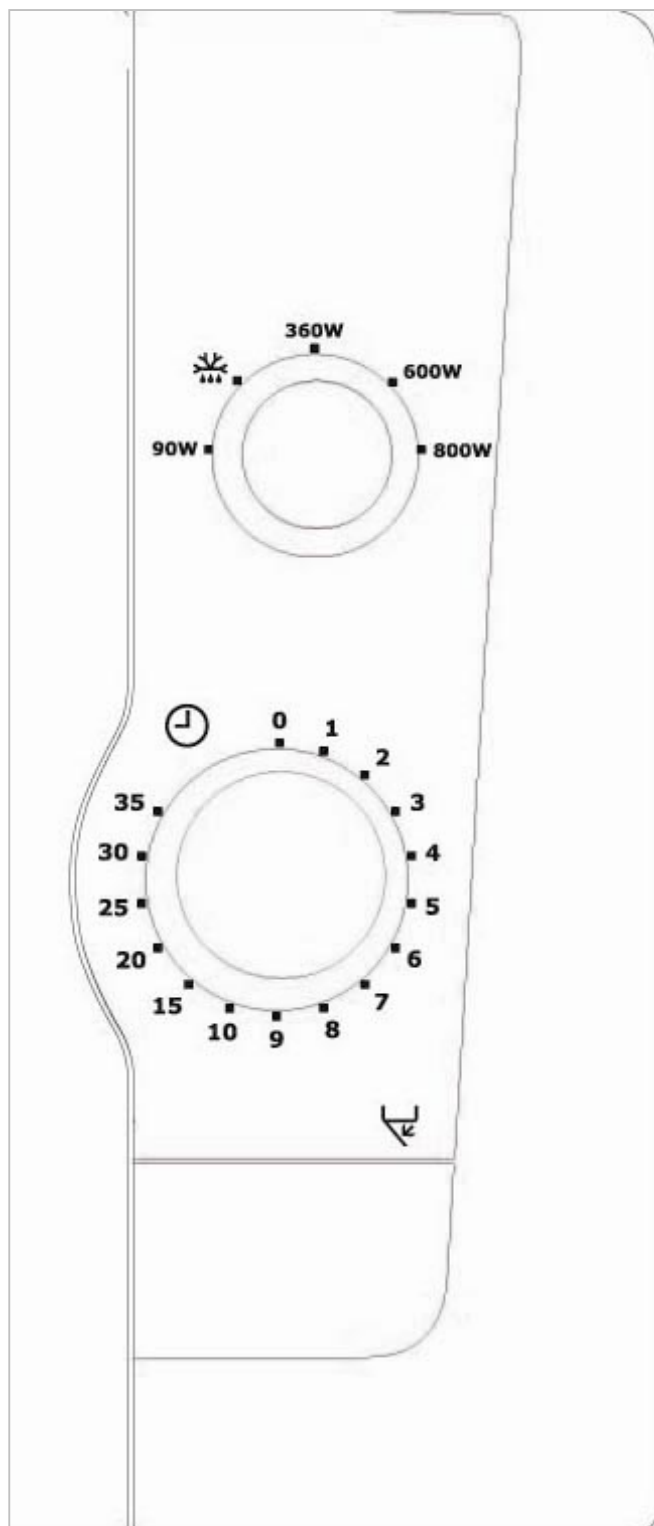
Cum să utilizați cuptorul cu microunde

1. Puneți suportul platanului în cavitate.
2. Puneți platanul pe suport așa cum este arătat în diagramă. Asigurați-vă că butucul este bine fixat în axul platanului.

Nu așezați niciodată platanul cu fața în jos.

- Atât platanul cât și suportul trebuie folosite în permanență în timpul gătitului.
- Atât mâncarea cât și recipientele vor fi puse pe platan în timpul gătitului.
- Platanul se rotește atât în sensul acelor de ceasornic cât și invers. Acest lucru este normal.

Tabloul de comandă



1. Selectorul de putere

Aționați acest buton pentru a alege nivelul de putere corect pentru mâncarea dorită.

2. Cronometrul

Fixați-l la timpul dorit pentru gătit. Operația de gătit începe. Toate cronometroarele cu mecanism de ceasornic acționează mai precis dacă sunt fixate la mai mult decât timpul dorit, și apoi reveniți la cel inițial stabilit

Gătitul la microunde

1. Deschideți ușa, puneți mâncarea pe platan.
Inchideți ușa.
2. Fixați selectorul de putere la puterea dorită (Vezi tabelul de mai jos)
3. Fixați cronometrul la timpul dorit.

Cuptorul începe să gătească.

Cand perioada de gătit este fixată la mai puțin de 2 minute, fixați cronometrul la mai mult de 2 minute și apoi reveniți la timpul dorit.

Pentru a opri cuptorul în timpul gătitului, pur și simplu întoarceți cronometrul la poziția 0.

Notă: După utilizare, verificați dacă ați întors cronometrul la 0, pentru că, în caz contrar, cuptorul va continua să funcționeze.

Exemplu: Pentru a găti la 600W timp de 20 de minute

1. Fixați selectorul de putere la 600W.
2. Fixați cronometrul la 20'
3. Cuptorul va începe automat să gătească timp de 20 minute la 600W

Reîncălzirea mâncărilor gătite insuficient de fierbinți

- Timpul propus de producător pentru gătitul unui fel de mâncare este doar orientativ. Dacă după expirarea timpului propus mâncarea nu este extrem de fierbinte, introduceți-o înapoi în cuptor și lăsați-o acolo până va ajunge la temperatura corespunzătoare. Acest mod de a proceda nu diferă de gătitul în cuptoarele clasice.
- Amestecați mâncarea în mod regulat, mai ales sosurile.
- Timpul de staționare (când mâncarea este lăsată în cuptor încă o perioadă după oprirea acestuia) este foarte important; este parte integrantă a gătitului și permite atingerea unei temperaturi egale în întreaga mâncare.

Ghid pentru setarea puterii microundelor

Fixarea Puterii	Recomandări de utilizare
90W	Încălzire; Încălzirea mâncării
180W	Decongelare; Dezghețarea mâncărilor congelate.
360W	Atingerea punctului de fierbere; Completarea ciclului de gătit a unor mâncăruri prăjite. Musacale și ghiveciuri Crème de ouă coapte sau prăjituri cu brânză.
600W	Mediu; Decongelare mai rapidă și reîncălzire pentru musacale și ghiveciuri. Mediu; La 600 w :se coc prăjituri și pudding-ri biscuit; se reîncălzesc alimente gătite în prealabil; se prăjește carnea de porc, vită și pui.
800W	Se fierb sau se reîncălzesc lichide. Se Prepară legume. Se preîncălzesc mâncărurile rumenite.

Recomandări pentru utilizarea decongelării 180W

Unele alimente, de exemplu pâinea și fructele, pot fi decongelate manual utilizând setările de putere.

ALIMENTE	PREPARARE	180W	TIMP de STATIONARE
Pâine			
Franzelă mică	Puneți franzela pe suportul de siguranță al cuptorului sau pe un șervețel de bucătărie. Intoarceți franzela la jumătatea timpului de decongelare.	8-10 min.	10-15 min.
Franzelă mare feliată	Puneți franzela pe suportul de siguranță sau pe un șervețel de bucătărie. Intoarceți franzela la jumătatea timpului de decongelare.	10-13 min.	10 min.
2 felii	Puneți-le pe un șervețel de bucătărie.	45-60 sec.	5 min.
1 chiflă de pâine	Puneți chifla pe un șervețel de bucătărie.	45-60 sec.	5 min.
2 chifle de pâine	Puneți chiflele pe șervețele de bucătărie.	1-11/2 min.	5 min.
Prăjituri și produse de patiserie			
Prăjitură 450g/1 lb	Scoateți prăjitura din ambalaj și puneți-o pe farfurie	9-11 min.	15-30 min.
Prăjitură cu brânză 450g/1 lb	Scoateți prăjitura din ambalaj și puneți-o pe farfurie.	9-11 min.	15-30 min.
Plăcintă (gata preparată) 450g/1 lb	Scoateți plăcinta din ambalaj și puneți-o pe farfurie.	7-9 min.	15-30 min.
Produse de patiserie 450g/1 lb	Scoateți produsele din ambalaj și puneți-le pe farfurie.	7-9 min.	15-30 min.
Unt			
250g/8.8 oz (1 pachet)	Dacă este ambalat, scoateți untul din ambalaj și puneți-l pe o farfurie	3-4 min.	5-10 min.
Fructe			
225g/8 oz Fructe boabe moi.	Puneți-le pe un singur strat într-o farfurie întinsă.	5-6 min.	5-10 min.
450g/1 lb Fructe boabe moi	Puneți-le pe un singur strat într-o farfurie întinsă.	7-8 min.	5-10 min.
Mâncare acoperită			
400g/14 oz	Acoperiți mâncarea cu o farfurie sau cu o peliculă adezivă non-CPV. Pentru a o reîncălzi, folosiți microundele 100% (800W) timp de 3-4 minute	7-8 min	5-10 min.
Legume			
	Nu este necesar să dezghețați legumele înainte de a fi gătite. Toate legumele pot fi dezghețate și gătite 100% la (800W)		

Sugestii pentru utilizarea microundelor

- Păstrați întotdeauna cuptorul curat – evitați împrăștierea stropilor de mâncare și nu uitați să curățați sub tava de sticlă și interiorul ușii.
- Este de preferat să folosiți caserole rotunde sau ovale cu capac când gătiți în cuptorul cu microunde.
- Nu folosiți caserole de metal sau cu decorații de metal. Anumite materiale de plastic se pot topi și deforma din cauza mâncărilor fierbinți.
- Acoperiți mâncarea când gătiți. Folosiți un capac de sticlă, o farfurie sau un carton rezistent la grăsime.
- Produsele de patiserie, pâinea și alte produse asemănătoare pot fi decongelate direct într-un coș de pâine sau pe un șervet de hârtie.
- Dacă alimentele înghețate sunt încălzite în propriul ambalaj, ambalajul trebuie desfăcut. Ambalajele conținând metal sau decorații metalice nu trebuie utilizate dacă nu există recomandări speciale în acest sens.. Îndepărtați agrafele metalice și legăturile de sârmă.
- Foliile de aluminiu de dimensiuni mai mici pot fi utilizate pentru a acoperi tipuri de carne care se pot arde ușor cum ar fi piciorușele de pui.
- Alimentele cu coajă sau piele, e.g. cartofii sau cărnații, trebuie înțepate cu o furculiță. Nu fierbeți ouă în cuptorul cu microunde deoarece pot exploda.
- Puneți bucățile mari și groase aproape de marginea caserolei și încercați să tăiați mâncarea în bucăți egale . Puneți alimentele întotdeauna în centrul cuptorului.
- Mâncarea va fi gătită egal dacă o amestecați sau o întoarceți de câteva ori.
- Fixați întotdeauna un timp de gătit mai scurt decât cel indicat în rețeta d-voastră pentru a evita arderea mâncării. Cu cât cantitatea de mâncare este mai mare cu atât este nevoie de mai mult timp de gătit.
- Folosiți apă puțină (sau chiar deloc) pentru legume.
- Folosiți mai puține condimente și sare decât pentru un gătit "normal".
- Asezonați ulterior.
- Acordați mâncării câteva minute ca timp de "staționare" după ce cuptorul a fost oprit pentru a asigura un gătit complet și egal.
- Verificați întotdeauna dacă toată mâncarea este foarte fierbinte înainte de a fi servită.
- Folosiți suporturi de vase sau mânuși pentru a scoate mâncarea din cuptor.

Sfaturi pentru utilizarea microundelor

• Fluidizarea mierii

Dacă aveți un borcan de miere care s-a cristalizat, scoateți capacul, introduceți borcanul în cuptor și acționați microundele la putere medie timp de 2 minute.

• Topirea ciocolatei

Rupeți un baton de ciocolată de 100g în bucăți pătrate, puneți-le într-o cupă și încălziți-le la putere mare 1-2 minute amestecând bine.

• Fluidizarea sau topirea untului

Topirea ia doar câteva secunde la putere mare. Pentru fluidizare este mai bine să folosim o putere mică a microundelor.

• Improspătarea sau încălzirea pâinii

Folosiți o putere medie timp de câteva secunde.

• Decojirea facilă a usturoiului

Încălziți 3 sau 4 căței de usturoi la putere mare timp de 15 secunde. Strângeți căpățâna la un capăt până iese din teacă.

• Sucul de fructe

Fructele citrice vor da mai mult suc dacă sunt încălzite 15 secunde la putere mare înainte de a le stoarce.

• Cum se gătește porridge

Porridge-ul poate fi gătit ușor în farfuria în care este servit fără a mai fi nevoie să spălați tigăi unsoase. Urmați recomandările producătorilor de alimente.

Ingrijire și Curățire

Cuptorul trebuie menținut întotdeauna curat. Resturile de mâncare vărsate sau împrășcate atrag energia microundelor care le vor arde. Acest lucru reduce eficiența cuptorului și poate produce mirosuri neplăcute. Nu încercați să reparați sau să aduceți ajustări unor părți componente ale . Reparațiile trebuie făcute doar de un tehnician calificat.

Asigurați-vă că aparatul este deconectat de la sursa de electricitate înainte de curățire.

Curățirea accesoriilor (platan și suport)

Curățiți-le cu un detergent slab după ce le-ați scos din cavitate. Suportul platanului trebuie manipulat cu grijă.

ATENȚIE: Interiorul cuptorului și platanul devin foarte fierbinți, așa că nu le atingeți imediat după utilizare.

Curățirea interiorului

Mențineți interiorul cuptorului întotdeauna curat. Stergeți depunerile de mâncare vărsate sau împrășcate imediat. Resturile lăsate pe pereții cuptorului, pe izolația ușii și pe suprafețele de etanșare vor absorbi energia microundelor, reduce eficiența cuptorului și, posibil, deteriorează interiorul cuptorului. Folosiți un detergent slab, lichid, apă caldă și o cârpă moale și uscată pentru a îndepărta depunerile..

NU FOLOSITI NICIODATĂ CURĂȚITOARE ABRAZIVE, CURĂȚITOARE DE CUPTOR DIN COMERȚ SAU PERNIȚE DIN VATA DE STICLA PENTRU A CURĂȚI ORICE PARTE A CUPTORULUI CU MICROUND.

Pentru a facilita îndepărtarea depunerilor dificile, fierbeți o ceașcă de apă în cuptor timp de 2-3 minute.

NU UTILIZATI NICIODATĂ CUȚITE SAU ORICE ALTE USTENSILE PENTRU A INDEPĂRTA DEPUNERILE DE PE SUPRAFAȚA CUPTORULUI.

Pentru a îndepărta mirosurile neplăcute din interiorul cuptorului, fierbeți o ceașcă de apă cu 2 linguri de suc de lămâie timp de 5 minute.

Curățirea exteriorului

Deschideți ușa cuptorului când controlați tabloul de comandă. Acest lucru va împiedica întoarcerea accidentală a cuptorului. Suprafețele exterioare ale cuptorului ar trebui curățate cu un detergent lichid ușor și cu apă și apoi clătite cu apă curată pentru a îndepărta excesul de detergent. Uscarea trebuie făcută cu o cârpă moale. Spray-urile pentru curățirea ferestrelor sau a bucătărilor pot fi de asemenea utilizate. Nu folosiți niciodată curățitoare abrazive sau chimicale dure pentru a curăța suprafețele exterioare ale cuptorului. Pentru a preveni deteriorarea părților lucrătoare nu lăsați să intre apă în orificiile de ventilație.

Service și piese de rezervă

Dacă aparatul nu funcționează corect, efectuați următoarele verificări înainte de a contacta Service-ul local

Dacă cuptorul nu pornește:

- Verificați dacă aparatul este conectat la rețea.
- Verificați dacă fișa de contact este introdusă complet.
- Dacă e cazul, înlocuiți rezistența din fișă cu o alta de același tip și verificați dacă fișa este conectată corect.
- Verificați dacă orice comutator, la priza din perete sau în altă parte în circuit, este DESCHIS.
- Verificați dacă priza din perete funcționează punând în priză un aparat care știți că funcționează.
- Verificați rezistența din cutia de rezistențe

Dacă microundele nu funcționează:

- S-ar putea ca Dispozitivul pentru securitatea copilului cu care este prevăzut aparatul să fi fost setat (lucru posibil la unele modele).
- Verificați dacă comenzile au fost setate corect.
- Verificați ajustările/procedurile consultând manualul cu instrucțiuni.
- Verificați dacă ușa este închisă corect (Dacă particulele de mâncare sau alte lucruri rămân în cadrul ușii, ușa nu se va închide corect și cuptorul nu va funcționa.)
- Verificați dacă butonul START este activat.

Dacă cuptorul totuși nu funcționează corect după verificările de mai sus, contactați Service-ul Electrolux local. Adresele pot fi găsite în următoarele pagini ale acestui ghid.

IMPORTANT :

Dacă chemați un tehnician pentru una din defecțiunile de mai sus sau pentru a repara o defecțiune cauzată de o instalare incorectă, veți fi obligați să plătiți reparația chiar dacă aparatul mai eate în garanție.

Când apeleți Service-ul, vi se vor cere următoarele informații:

1. Numele, adresa și codul poștal
2. Numărul de telefon
3. Detalii clare și concise despre defecțiune
4. Numărul modelului
5. Numărul seriei
6. Data de cumpărare

Vă sfătuim să vă notați informațiile de mai jos pentru a avea la îndemână informațiile

Numărul modelului:

Numărul seriei:

Data cumpărării:

Dacă aparatul este încă în garanție, trebuie să fiți siguri că verificările necesare au fost efectuate pentru că chemarea unui tehnician vă costă dacă problema nu este de natură mecanică sau electrică.

Vă rugăm să notați că trebuie să prezentați dovada cumpărării aparatului când chemați un tehnician în perioada de garanție.

Piese de rezervă

Piesele de rezervă pot fi cumpărate prin Service-ul Electrolux din localitatea d-voastră.

Serviciul Clienți

Pentru toate întrebările generale legate de aparatul Electrolux achiziționat sau pentru alte informații despre alte produse Electrolux, contactați Serviciul nostru Clienți prin e-mail sau telefon.

Condiții de garanție

1. Garanția este valabilă 12 de luni începând din momentul în care aparatul este înmănat primului cumpărător detailist, lucru care trebuie verificat prin factura de cumpărare sau printr-un document similar. Garanția nu acoperă utilizarea comercială.
2. Garanția acoperă toate părțile sau componentele care se defectează datorită execuției defectuoase sau materialului de proastă calitate. Garanția nu acoperă aparatele ale căror performanțe necorespunzătoare se datorează utilizării greșite, neglijenței, instalării defectuoase, modificărilor sau încercărilor de reparații neautorizate, avariilor accidentale, utilizării comerciale sau neobservării recomandărilor sau cerințelor stipulate în manualul de instrucțiuni. Această garanție nu acoperă părți componente precum becuri, articole din sticlă sau din materiale plastice.
3. Dacă aparatul necesită reparații acoperite de garanție cumpărătorul trebuie să informeze cel mai apropiat birou de serviciu clienți(Serviciu **ELECTROLUX** sau un agent autorizat). **ELECTROLUX** își rezervă dreptul de a stipula locul reparației (i.e. locuința clientului, locul de instalare sau un atelier **ELECTROLUX**).
4. Garanția sau înlocuirea gratuită include atât manopera cât și materialele.
5. Reparațiile efectuate în perioada de garanție nu extind această perioadă. Părțile înlocuite în perioada de garanție devin proprietatea **ELECTROLUX**-ului.
6. Drepturile statutare ale cumpărătorului nu sunt afectate de această garanție..

Spis treści

Przed rozpoczęciem korzystania z kuchni mikrofalowej	4
Wskazówki bezpieczeństwa	4
– Naczynia	5
– Sprawdzenie przydatności naczyń	5
– Żywność	5
– Tabela naczyń	7
Dane techniczne	7
Przed włączeniem	8
– Rozpakowanie	8
Instalacja	8
– Podłączenie do zasilania	8
– Podłączenie elektryczne	8
Obsługa kuchni mikrofalowej	9
– Elementy	9
– Podstawa obrotowa / talerz	9
– Panel sterujący	10
– Gotowanie mikrofalowe	11
– Tabela ustawień	11
– Wskazówki dotyczące rozmrażania 180W	12
– Praktyczne wskazówki	13
– Konserwacja i czyszczenie	14
– Czyszczenie akcesoriów (talerz / podstawa)	14
– Czyszczenie wnętrza kuchni	14
– Czyszczenie elementów zewnętrznych	14
Serwis i części zamienne	15
Gwarancja	16

Gratulujemy zakupu nowej kuchni mikrofalowej

Gratulujemy Państwu trafnego wyboru i dziękujemy za zakup produktu firmy Electrolux. Jesteśmy przekonani, że nowa kuchnia mikrofalowa będzie Państwu bardzo przydatna i ułatwi przygotowywanie potraw.

Przed rozpoczęciem korzystania z kuchni mikrofalowej

Prosimy o dokładne zapoznanie się z niniejszą instrukcją obsługi. W celu efektywnego wykorzystania Państwa nowej kuchni mikrofalowej w instrukcji obsługi zawarto wiele cennych wskazówek i porad. Zalecamy dokładne przeczytanie niniejszej instrukcji obsługi przed rozpoczęciem używania kuchni. Instrukcję należy zachować, aby podczas użytkowania móc w każdej chwili z niej skorzystać. W przypadku sprzedaży urządzenia prosimy o przekazanie instrukcji nowemu użytkownikowi.

Wskazówki bezpieczeństwa

- Wbudowany przełącznik blokujący zabezpiecza kuchnię mikrofalową przed uruchomieniem przy otwartych drzwiach.
- Nie należy manipulować przy drzwiach ani włączać kuchni, kiedy drzwi są otwarte. Może to narazić obsługującego na oddziaływanie energii mikrofalowej.
- Nie należy dopuszczać, aby na powierzchniach uszczelniających drzwi pozostawały resztki produktów żywnościowych lub środków czyszczących (patrz rozdział „Czyszczenie i konserwacja”).
- W przypadku usterek nie używać kuchni do czasu usunięcia ich przez autoryzowany zakład serwisowy.
- Prosimy zwracać szczególną uwagę na prawidłowe zamykanie się drzwi oraz na ewentualne usterki, tj.: (1) drzwi nie mogą być zwichrowane, (2) zawiasy i zatrzaski nie mogą być pęknięte i powinny działać niezawodnie, (3) uszczelki oraz powierzchnie uszczelniające nie mogą być uszkodzone.
- W przypadku wystąpienia usterki (opisanej powyżej), bądź konieczności wymiany części należy skontaktować się z lokalnym autoryzowanym zakładem serwisowym. Wszelkie prace o charakterze naprawczym i regulacyjnym muszą być wykonywane wyłącznie przez personel autoryzowanych zakładów serwisowych.
- W żadnym przypadku nie wolno demontować zewnętrznej obudowy drzwi oraz panelu sterującego, gdyż może to spowodować zagrożenie porażenia prądem elektrycznym o wysokim napięciu.
- Kuchnię należy zainstalować i umieścić zgodnie ze wskazówkami zawartymi w instrukcji obsługi.
- Kuchnię należy użytkować zgodnie z przeznaczeniem - jak podano w niniejszej instrukcji. Nie należy w tym urządzeniu stosować chemikaliów korozyjnych. Ten typ kuchni służy wyłącznie do podgrzewania, gotowania i rozmrażania produktów żywnościowych. Nie jest ona przeznaczona do celów przemysłowych, czy laboratoryjnych, jak również nie może być używana w celach komercyjnych. Użytkowanie niezgodne z przeznaczeniem powoduje anulowanie gwarancji.
- Nie włączać pustej kuchni mikrofalowej. Jeżeli nie ma w niej produktów żywnościowych lub wody, które mogłyby pochłonąć energię mikrofalową, może wystąpić uszkodzenie magnetronu.
- Kuchnia mikrofalowa może być obsługiwana wyłącznie przez osoby dorosłe.
- Kuchni nie należy przechowywać na zewnątrz pomieszczeń oraz w pobliżu wody.
- Nie suszyć w kuchni mokrych przedmiotów lub gazet, gdyż może dojść do ich zapalenia.
- Kuchnia nie służy do przechowywania produktów żywnościowych i innych przedmiotów. Nie należy pozostawiać w niej przedmiotów papierowych, sprzętu do gotowania lub produktów żywnościowych, gdy kuchnia nie jest używana.

Naczynia

Większość naczyń ze szkła, tworzyw szklano - ceramicznych i szkła żaroodpornego nadaje się do stosowania w kuchni mikrofalowej. Mimo, że energia mikrofalowa nie przegrzewa większości naczyń szklanych i ceramicznych, mogą one ulec nagrzananiu w wyniku przenoszenia się ciepła z produktu na pojemnik. Dlatego zalecamy

używanie rękawic przy wyjmowaniu z kuchni naczyń.

Sprawdzenie przydatności naczyń

- Umieścić w kuchni mikrofalowej naczynie wraz ze szklanką wypełnioną do połowy wodą. Podgrzać przy ustawieniu na 800 W (100 %) przez jedną minutę. Jeżeli naczynie jest gorące nie należy stosować go w kuchni mikrofalowej. Jeżeli jest ono lekko ciepłe - może być używane do podgrzewania (ale nie do gotowania). Jeżeli naczynie utrzymało normalną temperaturę (otoczenia) oznacza to, że nadaje się do gotowania w kuchni mikrofalowej.
- Papierowe serwetki, papier woskowany, ręczniki papierowe, tacki, kubki, kartony, opakowania mrożonek i tektura są bardzo wygodne w użyciu. Zawsze należy jednak upewnić się, czy pojemnik wypełniony jest produktem żywnościowym, który będzie pochłaniał energię mikrofalową (i będzie można uniknąć przegrzania naczynia). Stosować się do wskazówek producenta żywności.
- Wiele naczyń z tworzyw sztucznych (kubki, talerze, opakowania mrożonek i inne) nadaje się do stosowania w kuchniach mikrofalowych. Jeżeli chcecie Państwo z nich korzystać radzimy zapoznać się z informacją producenta. Należy unikać stosowania opakowań z tworzyw sztucznych wraz z produktami zawierającymi duże ilości cukru lub tłuszczu. Produkty te osiągają w kuchni mikrofalowej wysoką temperaturę, co może spowodować topienie się niektórych gatunków tworzyw sztucznych.
- Nie pozostawiać włączonej kuchni mikrofalowej bez nadzoru, kontrolować jej pracę podczas podgrzewania i gotowania z użyciem pojemników wykonanych ze

- szucznych, papierowych bądź łatwopalnych materiałów. Jeżeli zauważą Państwo dym prosimy nie otwierać drzwi, lecz natychmiast wyłączyć kuchnię, odłączyć od zasilania elektrycznego i odczekać, aż dym przestanie się wydobywać z wnętrza urządzenia.
- Sprzęt metalowy lub z elementami metalowymi nie powinien być stosowany w kuchni mikrofalowej, z wyjątkiem, jeżeli producent wyraźnie określi i zaleci możliwość używania w kuchniach mikrofalowych.
- Pojemniki z ograniczonymi możliwościami otwierania (np. butelki) nie powinny być używane do przyrządzania potraw w kuchniach mikrofalowych.
- Prosimy o szczególną uwagę przy zdejmowaniu pokrywek bądź przykrywek z naczyń, aby nie poparzyć się parą.

Żywność

- Nie podgrzewać w kuchni potraw w puszkach. Produkt należy wyjąć z puszki i umieścić w odpowiednim naczyniu.
- Nie należy smażyć potraw na tłuszczu. Jego temperatura nie jest kontrolowana, co może doprowadzić do sytuacji stwarzającej zagrożenie.
- Prażona kukurydza może być przyrządzana tylko w specjalnych opakowaniach lub przystosowanych naczyniach (czynność ta wymaga nadzoru obsługującego).
- Produkty posiadające nieporowatą skórę bądź powłokę (takie jak: jabłka, ziemniaki,

EMM21000

wątróbki drobiowe, żółtka jaj) wymagają wcześniejszego nakłucia zewnętrznej warstwy, aby zapobiec tworzeniu się pary lub ewentualnemu poparzeniu.

UWAGA: Podczas podgrzewania płynów (tj. zup, sosów, napojów) doprowadzenie ich do temperatury wrzenia może nastąpić bez pojawienia się charakterystycznych pęcherzyków. Aby tego uniknąć należy przyjąć poniższe wskazówki:

1. unikać używania pojemników o prostych ściankach z wąskimi szyjkami;
 2. nie doprowadzać do nadmiernego przegrzewania;
 3. przed umieszczeniem płynu w kuchni należy go uprzednio zamieszać (czynność powtórzyć w połowie cyklu podgrzewania);
- po podgrzaniu naczynie z płynem pozostawić jeszcze przez chwilę w kuchni, ponownie zamieszać, a następnie wyjąć pojemnik przy zachowaniu szczególnej ostrożności.
 - Niektóre produkty, np. jaja oraz szczelnie zamknięte pojemniki, szklane słoiki mogą ulec eksplozji i dlatego nie powinny być

PL

poddawane działaniu energii mikrofalowej. Czasami jaja mogą eksplodować podczas gotowania. Zawsze należy przekłuwać żółtka, przykryć je pokrywką i po zakończeniu gotowania odczekać jeszcze minutę przed jej zdjęciem.

ZAPAMIĘTAJ:

- Postawy obrotowej nie wolno obracać ręcznie z użyciem siły, gdyż może to spowodować jej uszkodzenie.
- Kiedy używamy w kuchni mikrofalowej naczyń metalowych może wystąpić iskrzenie. Ciągłe iskrzenie może uszkodzić urządzenie. W takim przypadku należy przerwać program i sprawdzić naczynie, z którego korzystamy.
- Otwory wentylacyjne kuchni nie mogą być zasłonięte (górne, boczne oraz dolne).

Nie używać kuchni do celów komercyjnych.

Kuchnia jest przeznaczona do użytku w warunkach gospodarstwa domowego.

Zachowaj instrukcję obsługi.

Tabela naczyń

Do gotowania w kuchni mikrofalowej możecie Państwo stosować różnorodne naczynia. Dla Waszego bezpieczeństwa oraz dla zapobiegania zniszczeniu naczyń i kuchni należy wybrać odpowiednie pojemniki i materiały.

Poniższa lista pozwoli Państwu zapoznać się z ogólnymi zasadami doboru naczyń do stosowania w kuchni mikrofalowej.

Material	Naczynie	Gotowanie mikrofalowe
Ceramika i szkło	Naczynia ze szkła żaroodpornego	TAK
	Szkło z metalowymi dekoracjami	NIE
	Szkło ołowiane	NIE
Porcelana	Bez dekoracji metalowych	TAK
Wyroby garncarskie		TAK
Tworzywa sztuczne	Wyroby z tworzyw odpornych na oddziaływanie mikrofal; opakowania z tworzyw sztucznych	TAK
		TAK
Naczynia metalowe	Metalowe rondle do pieczenia; folia aluminiowa*	NIE TAK
Naczynia papierowe	Kubki, tacki, ręczniki	TAK
Papier woskowany		TAK
Drewno		NIE
Akcesoria	Talerz obrotowy	TAK
	Podstawa talerza obrotowego	TAK

TAK: można używać;

NIE: nie wolno używać

* folii aluminiowej używać tylko do przykrywania (np. kości udek kurczaka, skrzydełek); folia może iskrzyć!

Dane techniczne

Wymiary zewnętrzne	Waga 14.4 kg
Szerokość 485 mm	Pojemność 21 litrów
Głębokość 422 mm	
Wysokość 287 mm	Zasilanie elektryczne 230V, 50 Hz
Wymiary komory	Bezpiecznik 10 A
Szerokość 335.8 mm	Pobór mocy 1250W
Głębokość 314 mm	
Wysokość 206 mm	Moc użyteczna 800W

PRZED WŁĄCZENIEM

Rozpakowanie

Podczas rozpakowywania kuchni należy sprawdzić, czy nie jest ona uszkodzona. Uszkodzenia lub braki w wyposażeniu należy natychmiast zgłosić w jednostce handlowej, gdzie dokonaliście Państwo zakupu. Kuchnia, jej wyposażenie lub akcesoria mogą być opakowane w folię zabezpieczającą. Jeśli tak, należy usunąć ją przed pierwszym użyciem kuchni mikrofalowej. Nie należy pozostawiać elementów opakowania w miejscach dostępnych dla dzieci. Materiał, z którego wykonane są elementy opakowania może być zagrożeniem dla dzieci.

Instalacja

1. Usunąć z drzwi naklejki reklamowe, jeżeli znajdują się na urządzeniu.
2. Kuchnię należy umieścić i zainstalować na płaskiej, wypoziomowanej powierzchni, która będzie w stanie utrzymać ciężar kucharki (13,5 kg) wraz z jej zawartością. Aby uniknąć wibracji lub hałasu podczas pracy zalecamy ustawienie urządzenia w pozycji stabilnej.
3. Kuchnia nie powinna stać w pobliżu źródeł ciepła i wody. Jeżeli urządzenie będzie narażone na oddziaływanie ciepła lub wody, może to obniżyć jego efektywność, a nawet spowodować awarię.
4. Prosimy zwrócić uwagę na swobodny przepływ powietrza wokół otworów wentylacyjnych. Nie stawiać żadnych przedmiotów na górnym blacie urządzenia. Zablokowanie otworów wentylacyjnych może prowadzić do przegrzania kuchni, a to z kolei do niewłaściwego funkcjonowania bądź uszkodzenia urządzenia. Otwory wentylacyjne odprowadzają gorące powietrze, dlatego należy umożliwić jego swobodny przepływ (np. między kuchnią, a ścianą pomieszczenia nie mogą znajdować się zasłony itp.).
5. Kuchnię należy umieścić z dala od odbiorników radiowych i telewizyjnych. Urządzenie to odpowiada normom UE dotyczącym eliminacji zakłóceń radiowych, lecz mogą one się pojawić, jeżeli ustawicie Państwo kucharkę zbyt blisko radioodbiornika lub telewizora.
6. Jeżeli kuchnia będzie usytuowana w rogu pomieszczenia, należy pozostawić szczelinę o szerokości przynajmniej 10 cm przy ścianie z prawej strony.

UWAGA: Kuchnia może być ustawiona w prawie każdym miejscu kuchni. Musi ona mieć jednak zapewnioną płaską, równą powierzchnię i odpowiednią wentylację. W tym celu należy upewnić się, że otwory wentylacyjne nie są zablokowane bądź przysłonięte (także w części spodniej).

*** To urządzenie odpowiada normom EWG odnośnie eliminacji zakłóceń radiowych - rozporządzenie 87/308/EEC**

Podłączenie do zasilania

Kuchnia jest wyposażona w przewód zasilający z wtyczką dla 220-230 V, 50 Hz. Należy ją podłączyć do gniazdka ze stykiem uziemiającym i sprawdzić, czy napięcie dla którego urządzenie jest zaprojektowane odpowiada napięciu w sieci elektrycznej.

Nie używać przedłużaczy do podłączenia kuchni.

UWAGA! Kuchnia musi być podłączona do gniazdka z uziemieniem.

Jeżeli mają Państwo wątpliwości dotyczące podłączenia kuchni do sieci elektrycznej bądź zabezpieczenia uziemiającego, proszę skontaktować się z uprawnionym elektrykiem.

Podłączenie elektryczne

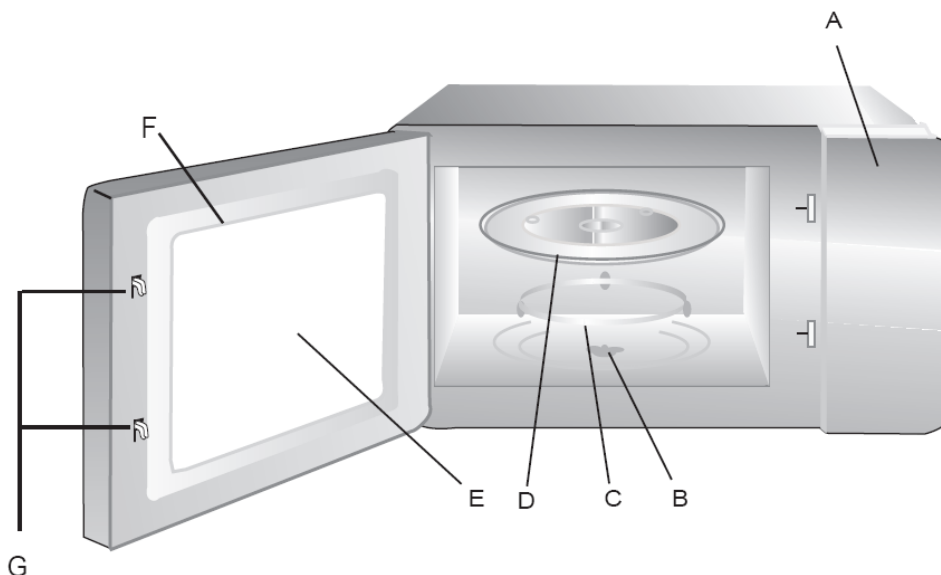
Urządzenie jest wyposażone w standardową wtyczkę przewodu zasilającego

UWAGA! URZĄDZENIE MUSI BYĆ UZIEMIONE.

Producent nie ponosi odpowiedzialności w przypadku usterek spowodowanych nieprzestrzeganiem przepisów bezpieczeństwa.

Urządzenie podłączyć do gniazdka z uziemieniem (zabezpieczenie 13 A).

Obsługa kuchni mikrofalowej



Elementy

- A. Panel sterujący.
- B. Zaczep dla talerza obrotowego
- C. Podstawa obrotowa talerza; umieszczana w dolnej części kuchni pod talerzem.
- D. Talerz obrotowy wykonany ze specjalnego szkła żaroodpornego. Na talerz należy postawić odpowiednie naczynie z potrawą. Nie używać kuchni bez talerza obrotowego.
- E. Okno, przez które można sprawdzać stan przygotowania potrawy.
- F. Drzwi. Należy je dokładnie zamykać.
- G. Zaczepy zatrzaskowe i blokada drzwi.

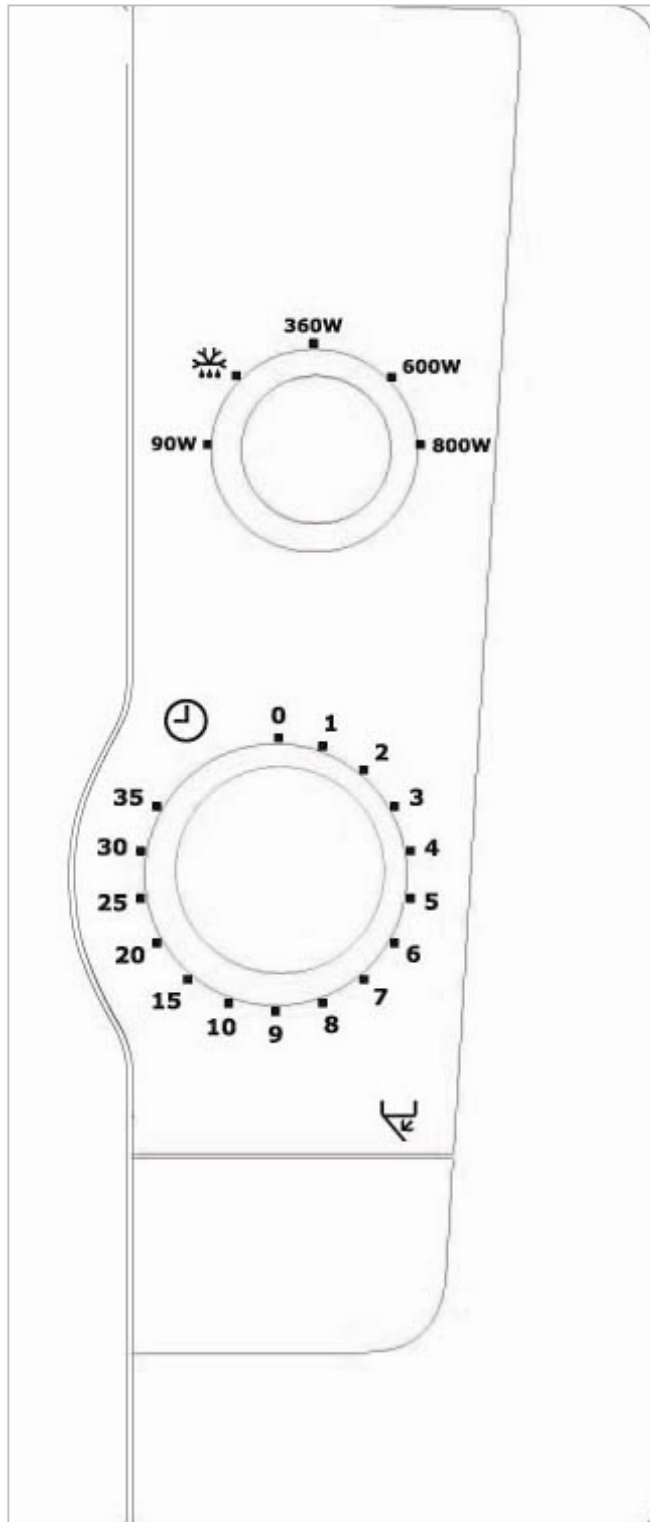
Podstawa obrotowa / talerz

1. Podstawę obrotową umieścić w dolnej części kuchni.
2. Talerz obrotowy położyć na podstawie, w sposób pokazany na rysunku. Należy upewnić się, że talerz został odpowiednio zamocowany w wypustce.

Nie wolno kłaść talerza w położeniu odwrotnym.

- Zarówno talerz, jak i jego podstawa muszą znajdować się w kuchni podczas jej pracy.
- Produkty oraz pojemniki umieszczamy zawsze na talerzu obrotowym.
- Talerz obraca się w prawą i w lewą stronę; jest to zjawisko normalne. Nie obracać talerza ręcznie, gdyż można uszkodzić mechanizm obrotowy.

PANEL STERUJĄCY



1. Pokrętło wyboru mocy

Służy do wyboru poziomu mocy mikrofal.

2. Pokrętło zegara

Służy do ustawienia czasu gotowania. Najpierw należy ustawić nieco dłuższy czas, po czym powrócić do prawidłowej wartości.

GOTOWANIE MIKROFALOWE

1. Otworzyć drzwi, na talerzu obrotowym położyć potrawę w naczyniu. Zamknąć drzwi.
2. Pokrętkiem wyboru mocy ustawić wymagany poziom (patrz poniższa tabela).
3. Pokrętkiem zegara ustawić czas gotowania.

Rozpocznie się gotowanie.

Jeżeli czas gotowania jest krótszy niż 2 minuty, należy ustawić dłuższy czas, a następnie powrócić do prawidłowej wartości.

Aby wyłączyć urządzenie w trakcie pracy, należy obrócić pokrętko zegara do położenia 0.

Uwaga: Po zakończeniu gotowania należy upewnić się, że pokrętko zegara znajduje się w położeniu 0. W przeciwnym razie kuchnia będzie nadal pracowała.

Przykład: Gotowanie - 600W przez 15 minut

1. Pokrętko wyboru mocy ustawić na 600W.
 2. Pokrętko zegara ustawić na 15.
 3. Kuchnia będzie pracowała przez 15 minut z mocą na poziomie 600W.
-

Tabela ustawień

Poziom mocy	Proponowane użycie
90W	Utrzymywanie w ciepłe
180W	Rozmrażanie
360W	gotowanie i podgrzewanie delikatnych potraw, zapiekanek pieczenie ciast z serem
600W	szybsze rozmrażanie i podgrzewanie produktów pieczenie ciast Pieczenie ciast; przyrządzanie budyniu
800W	Odgrzewanie gotowych dań. Pieczenie mięsa I drobiu. Gotowanie lub podgrzewanie płynów. Gotowanie warzyw.

Wskazówki dotyczące rozmrażania 180W

Niektóre produkty (pieczywo i owoce) można rozmrażać przy ręcznym ustawieniu mocy.

PRODUKT	PRZYGOTOWANIE	180W	CZAS "ODCZEKANIA"
Pieczywo			
Mały bochenek	Położyć na papierze kuchennym lub naczyniu do mikrofalówki; obrócić w połowie czasu odmrażania.	8–10 min.	10–15 min.
Duży bochenek (krojony)	Położyć na papierze kuchennym lub naczyniu do mikrofalówki; obrócić w połowie czasu odmrażania.	10–13 min.	10 min
2 kromki	Położyć na papierze kuchennym.	45–60 sek.	5 min.
1 bułka	Położyć na papierze kuchennym.	45–60 sek.	5 min.
2 bułki	Położyć na papierze kuchennym.	1–1 1/2 min.	5 min.
Ciasta i wyroby cukiernicze			
Sernik (450 g)	Zdjąć opakowanie, ułożyć na talerzu.	9–11 min.	15–30 min.
Ciasto (upieczone) (450 g)	Zdjąć opakowanie, ułożyć na talerzu.	7– 9 min.	15–30 min.
Płacek (450 g)	Zdjąć opakowanie, ułożyć na talerzu.	7– 9 min.	15–30 min.
Masło			
250 g (1 kostka)	Jeżeli opakowane w folię – zdjąć i położyć na talerzu	3– 4 min.	5–10 min.
Owoce			
Drobne owoce (225 g)	Ułożyć jedną warstwę na płytkim talerzu	5– 6 min.	5–10 min.
Drobne owoce (450 g)	Ułożyć jedną warstwę na płytkim talerzu	7– 8 min.	5–10 min.
Dania gotowe			
400 g	Przykryć talerzem lub specjalną folią do mikrofalówek; aby podgrzać – włączyć mikrofałe na 100% (800W) na 3-4 minuty	7– 8 min	5–10 min.
Warzywa			
	Nie ma konieczności odmrażania warzyw przed gotowaniem. Wszystkie warzywa można ugotować przy ustawieniu 100% (800W)		

Praktyczne wskazówki

- Kuchnię należy utrzymywać w czystości – wycierać po każdym użyciu (także podstawę obrotową i wewnętrzną stronę drzwi).
- Do gotowania mikrofalowego używać okrągłych lub owalnych naczyń z pokrywkami.
- Nie używać naczyń metalowych lub z metalowymi elementami. Niektóre rodzaje naczyń lub opakowań plastikowych mogą się stopić podczas gotowania w kuchni mikrofalowej.
- Produkty należy przykryć podczas gotowania. Użyć szklanej pokrywki lub talerza.
- Chleb można rozmrażać na papierowym ręczniku.
- Jeżeli mrożonki są podgrzewane w swoich oryginalnych opakowaniach, należy je otworzyć. Opakowania z elementami metalowymi mogą być umieszczane w kuchni mikrofalowej tylko wtedy, gdy ich producent żywności to zalecił. Zdjąć metalowe klipsy.
- Delikatne kawałki np. skrzydełka lub nóżki kurczaka należy okryć kawałkami folii aluminiowej, aby uniknąć przegrzania lub spalenia.
- Produkty posiadające nieporowatą skórę bądź powłokę (takie jak: jabłka, ziemniaki, wątróbki drobiowe, żółtka jaj, kiełbaski) wymagają wcześniejszego nakłucia zewnętrznej warstwy, aby zapobiec tworzeniu się pary lub ewentualnemu poparzeniu.
- Nie gotować jaj, gdyż mogą eksplodować!
- Większe kawałki żywności umieszczać po zewnętrznej stronie naczynia. Starać się gotować żywność porcjowaną w mniejsze kawałki. Żywność układać na środku talerza obrotowego.
- Żywność będzie ugotowana równomiernie, jeżeli będzie obracana lub mieszana podczas gotowania.
- Należy nieco skracać czas przygotowania potrawy wskazany przez producenta, aby uniknąć rozgotowania. Im większe kawałki żywności, tym dłuższy czas jest czas ich gotowania.
- Do gotowania warzyw należy dodawać jak najmniejsze ilości wody (lub gotować bez wody).
- Używać mniej soli i innych przypraw, niż w przypadku gotowania tradycyjnego.
- Żywność przyprawiać po wyjęciu z kuchni mikrofalowej.
- Po zakończeniu gotowania należy zachować „czas oczekania”, aby potrawy były równomiernie ugotowane.
- Po wyjęciu z kuchni potrawy sprawdzić, czy jest już wystarczająco gorąca (ugotowana równomiernie).
- Przy wyjmowaniu naczyń i potraw z kuchni należy zawsze używać rękawic ochronnych.

- **Miód**

Porady

Jeżeli miód w słoiku uległ krystalizacji należy zdjąć pokrywkę i włożyć słoik do kuchni, podgrzewać falami mikrofalowymi przy średnim ustawieniu przez 2 minuty.

- **Topienie czekolady**

Podzielić tabliczkę 100 g na kostki, włożyć do miski i podgrzewać na najwyższej mocy przez 1-2 minuty, mieszać.

- **Topienie lub zmiękczenie masła**

Stopienie masła na najwyższym poziomie mocy; zmiękczenie – przy najniższym poziomie mocy.

- **Odświeżanie lub podgrzewanie pieczywa**

Średni poziom mocy przez kilka sekund.

- **Obieranie czosnku**

3 lub 4 ząbki czosnku ogrzewać na najwyższym poziomie mocy przez 15 sekund.

- **Sok owocowy**

Owoce będą bardziej soczyste po podgrzaniu na najwyższym poziomie mocy przez 15 sekund, przed wyciśnięciem

Konserwacja i czyszczenie

Kuchnia mikrofalowa musi być utrzymywana w czystości. Nieusunięte resztki produktów niepotrzebnie pochłaniają energię mikrofalową oraz ulegają przypaleniu.

To przyczynia się do zmniejszenia wydajności urządzenia oraz powstawania nieprzyjemnych zapachów. Żadne czynności naprawcze czy regulacyjne nie powinny być dokonywane we własnym zakresie. Naprawy mogą być przeprowadzane wyłącznie przez techników autoryzowanych zakładów serwisowych.

Przed przystąpieniem do czyszczenia należy upewnić się, czy kuchnia jest wyłączona i/lub odłączona od zasilania.

Czyszczenie akcesoriów (talerz i podstawa)

Czyścić delikatnymi środkami po wyjęciu z kuchni; należy ostrożnie obchodzić się z podstawą talerza obrotowego.

UWAGA: Wnętrze kuchni oraz talerz są bardzo gorące, więc nie należy ich dotykać bezpośrednio po zakończeniu cyklu gotowania.

Czyszczenie wnętrza kuchni

Kuchnię należy utrzymywać w czystości. Natychmiast usuwać pozostałości produktów żywnościowych ze ścianek, uszczelek, powierzchni uszczelniających, gdyż powodują one nadmierną absorpcję energii mikrofalowej, przyczyniając się do zmniejszenia jej efektywności, a nawet powstania poważnej usterki. Do czyszczenia stosować delikatne detergenty płynne, ciepłą wodę oraz miękkie i czyste ściereczki.

NIE NALEŻY UŻYWAĆ ŚRODKÓW ŚCIERNYCH, PRZEMYSŁOWYCH, STALOWYCH ZMYWAKÓW DO ŻADNEGO Z ELEMENTÓW KUCHNI MIKROFALOWEJ.

W celu usunięcia mocnych zabrudzeń można gotować w kuchni szklankę wody przez 2 - 3 minuty.

DO USUWANIA ZANIECZYSZCZEŃ NIE UŻYWAĆ NOŻY I INNYCH OSTRYCH NARZĘDZI.

W celu usunięcia nieprzyjemnego zapachu należy gotować w kuchni szklankę wody z 2 łyżkami soku z cytryny przez 5 minut.

Czyszczenie elementów zewnętrznych

Podczas czyszczenia elementów panelu sterującego należy otworzyć drzwi, co zapobiegnie przypadkowemu włączeniu kuchni. Elementy zewnętrzne należy czyścić łagodnymi środkami (także uniwersalnymi środkami w sprayu), ciepłą wodą i osuszać miękką szmatką.

Nie wolno stosować środków ściernych, szorstkich zmywaków do naczyń, czy też szorstkich środków chemicznych. Podczas czyszczenia prosimy zwrócić uwagę, aby do otworów wentylacyjnych nie dostała się woda.

Serwis i części zamienne

Jeżeli kuchnia nie działa prawidłowo przed wezwaniem serwisu proszę sprawdzić, czy usterki nie można usunąć samodzielnie.

Nie można uruchomić kuchni:

- Sprawdzić, czy urządzenie jest prawidłowo podłączone do zasilania elektrycznego.
- Sprawdzić, czy wtyczka jest prawidłowo włożona do gniazdka.
- Jeśli to konieczne, wymienić bezpiecznik (na sprawny, o tych samych parametrach).
- Sprawdzić, czy przełącznik (gniazdko ścienne lub inny punkt obwodu) znajduje się w pozycji ON (włączony).
- Sprawdzić, czy w gniazdku jest napięcie (poprzez podłączenie innego, sprawnego urządzenia).
- Sprawdzić bezpiecznik w skrzynce.

Kuchnia nie podejmuje pracy:

- Sprawdzić, czy włączono zabezpieczenie przed przypadkowym uruchomieniem przez dzieci (dostępne w niektórych modelach).
- Sprawdzić wykonane ustawienia.
- Sprawdzić, czy ustawienia zostały dokonane zgodnie z opisem w instrukcji obsługi.
- Sprawdzić, czy prawidłowo zamknięto drzwi (oraz czy zamknięciu nie przeszkadzają resztki produktów).
- Sprawdzić, czy przycisk Start został wciśnięty.

Jeżeli wykonanie powyższych czynności nie przyniosło efektu i kuchnia nadal nie funkcjonuje, należy skontaktować się z najbliższym autoryzowanym zakładem serwisowym Electrolux.

UWAGA: Koszt wezwanie technika z powodu usterki wymienionej powyżej lub nieprawidłowej obsługi / instalacji urządzenia pokrywa klient, nawet w czasie trwania gwarancji.

Jeżeli będą Państwo zamawiali usługi serwisowe lub części zamienne, prosimy o podanie następujących informacji:

1. objawy usterki
2. oznaczenie modelu
3. numer seryjny/produktu
4. data zakupu

Zalecamy zapisanie tych informacji poniżej:

Model :

Numer seryjny:

Data zakupu:

Jeżeli urządzenie podlega gwarancji, przed wezwaniem serwisu należy sprawdzić, czy usterki nie można usunąć samodzielnie. Wizyta będzie odpłatna, gdy usterka nie będzie miała charakteru mechanicznego lub elektrycznego.

W razie naprawy w czasie gwarancji należy udostępnić dowód zakupu urządzenia.

Części zamienne

Części zamienne można nabyć w autoryzowanych zakładach serwisowych.

Serwis

Informacji o produktach udziela producent. W przypadku wątpliwości dotyczących działania urządzenia, należy zwrócić się do autoryzowanego serwisu.

WARUNKI GWARANCJI

Warunki udzielonej gwarancji znajdują się w karcie gwarancyjnej, którą otrzymali Państwo przy zakupie urządzenia.

Sadržaj

Prije uporabe vaše mikrovalne pećnice.....	4
Sigurnosne upute	4
- Sigurnost pribora	4
- Provjera prikladnosti posuđa	5
- Sigurnost namirnica	5
- Vodič kroz pribor i opremu pećnice	6
Tehnički podaci.....	6
Priprema za uključivanje mikrovalne pećnice.....	7
- Skidanje ambalaže	7
Postavljanje	7
- Priključak na mrežno napajanje	7
- Električki priključak	7
Kako se koristi vaša mikrovalna pećnica	8
- Naziv i funkcija dijelova	8
- Postavljanje okretnog tanjura	8
- Upravljačka ploča	9
- Kuhanje s mikrovalovima	10
- Vodič za podešavanje snage mikrovalova	10
- Upute za odmrzavanje.....	11
- Natuknice o mikrovalnoj pećnici	12
- Održavanje i čišćenje	13
- Čišćenje opreme (okretni tanjur i podupirač)	13
- Čišćenje unutrašnjosti	13
- Čišćenje vanjskog dijela pećnice	13
Servis i nadomjesni dijelovi	14

Čestitamo na kupovini vaše nove mikrovalne pećnice

Hvala vam na odabiru Electrolux proizvoda. Sigurni smo da će vam nova mikrovalna pećnica biti vrlo korisna i od velike pomoći. Kao što je slučaj i s ostalim novim kuhinjskim uređajima, potrebno je određeno vrijeme da naučite sve nove funkcije i mogućnosti, ali s vremenom, ova pećnica će vam postati nezamjenjiva.

Prije uporabe vaše mikrovalne pećnice

Pažljivo pročitajte upute za uporabu. Upute koje slijede pripremljene su kako bi vam omogućile optimalno korištenje vaše nove mikrovalne pećnice. Molimo vas da ih pročitate pažljivo. Vrlo je važno da ove upute sačuvate uz uređaj za daljnje korištenje. Ako uređaj prodate ili posudite drugoj osobi, ili ako se preselite i ostavite uređaj, uvijek provjerite da li su upute pohranjene uz uređaj kako bi se novi vlasnik mogao upoznati s načinom rada i odgovarajućim upozorenjima. Molimo vas da prije korištenja uređaja pročitate ove upute u potpunosti i potom slijedite dane preporuke.

Sigurnosne upute

- Ugrađeni sigurnosni prekidač za blokadu onemogućava korištenje mikrovalne pećnice dok su otvorena vrata.
- Ne "prčkajte" oko vrata i ne pokušavajte uključiti pećnicu ako su vrata otvorena, jer se na taj način možete izložiti energiji mikrovalova.
- Ne dopustite prosipanje hrane ili nakupljanje ostataka sredstva za čišćenje na površini brtve vrata. Pogledajte poglavlje Čišćenje i održavanje za upute u vezi čišćenja.
- Ne koristite oštećen uređaj dok ga ne popravi stručna i ovlaštena servisna osoba.
- Posebno je važno da vrata pećnice budu pravilno zatvorena i da nema oštećenja na: (1) vratima (svinuta), (2) šarkama i zasunima (slomljeni ili nesigurni), (3) brtve na vratima i površini brtve vrata.
- Nikad ne pokušavajte sami popravljati pećnicu, nestručni popravci mogu uzrokovati ozljede i ugroziti funkcioniranje pećnice. Ako trebate servisnu uslugu potražite je u najbližem ovlaštenom servisu.
- Nikada ne skidajte vanjsko kućište, vrata ili upravljačku ploču. Ako to učinite postoji opasnost od izlaganja iznimno visokom naponu.
- Postavljanje i smještanje ove pećnice izvršite samo u skladu s poglavljem "**UPUTE ZA POSTAVLJANJE**" ovih uputa.
- Ovaj uređaj koristite samo u svrhe za koje je proizveden, kao što je opisano u ovom uputstvu. Ne koristite korozivna kemijska sredstva u uređaju. Ovaj tip pećnice posebno je dizajniran za zagrijavanje, kuhanje ili odmrzavanje hrane. Uređaj nije namijenjen za industrijsku, laboratorijsku ili komercijalnu uporabu i u tom slučaju gubite pravo na jamstvo.
- Ne koristite pećnicu ako je prazna. Ako nema hrane ili vode za apsorpciju mikrovalne energije, može doći do oštećenja cijevi magnetrona.
- Djeca smiju koristiti pećnicu samo uz strogi nadzor.
- Ne spremajte uređaj izvan kuće. Ne koristite ovaj proizvod u blizini vode.
- Ne pokušavajte sušiti odjeću ili novine u mikrovalnoj pećnici. Može doći do požara.
- Ne koristite unutrašnjost pećnice kao spremnik. Ne ostavljajte papirnate proizvode, pribor za kuhanje, ili hranu u unutrašnjosti pećnice kada ju ne koristite.

Sigurnost pribora

Većina staklenog, staklo-keramičkog i vatrostalnog kuhinjskog pribora izvrsna je za uporabu u mikrovalnoj pećnici. Premda mikrovalna energija neće zagrijati većinu staklenih i keramičkih predmeta, ovaj pribor može postati vruć zbog prijenosa topline sa hrane na spremnik. Preporučujemo stoga uporabu zaštitnih termo-rukavica pri vađenju posuđa.

Provjera prikladnosti posuđa

- Postavite posudu u mikrovalnu pećnicu zajedno sa čašom napunjenom do polovice vodom. Zagrijavajte je na 800 W (100%) jednu minutu. Ako je nakon toga posuda vruća, ne bi je trebali koristiti. Ako je lagano zagrijana, možete je koristiti za prigrijavanje ali ne i za kuhanje. Ako je posuda sobne temperature, prikladna je za mikrovalno kuhanje.
- Papirnati ubrusi, voštani papir, papirnati ručnici, tanjuri, čaše, omoti za zamrzivač i kartoni su pribor velike prikladnosti. Uvijek budite sigurni da je spremnik napunjen hranom koja će apsorbirati energiju i ukloniti mogućnost pregrijavanja.
- Razno plastično posuđe, čaše, spremnici za zamrzivač i plastični omoti mogu se koristiti u mikrovalnoj pećnici. Slijedite upute proizvođača kada koristite plastiku u pećnici. Izbjegavajte korištenje plastičnog pribora s hranom koja sadrži visoki postotak masnoća ili šećera, ta hrana postiže visoke temperature i može rastopiti neke plastike.
- Ne ostavljajte pećnicu bez nadzora, pogledajte je s vremena na vrijeme kada podgrijavate ili kuhate hranu u plastičnim, papirnatim ili ostalim zapaljivim spremnicima. Ako ste zapazili dim, zadržite vrata zatvorenima, isključite pećnicu ili izvucite mrežni utikač dok dim ne nestane.
- Metalni pribor i pribor s metalnim ukrasima ne bi trebali koristiti u mikrovalnoj pećnici, osim ako nije posebno preporučen za uporabu u mikrovalnoj pećnici.
- Spremnici sa malim otvorima, kao što su boce, ne bi trebali biti korišteni za mikrovalno kuhanje.
- Budite oprezni pri skidanju poklopaca ili pokrova s posuđa kako bi izbjegli opekline parom.

Sigurnost namirnica

- Ne zagrijavajte hranu u konzervama u mikrovalnoj pećnici. Uvijek prebacite hranu u prikladan spremnik.
- Prženje u ulju ("fritiranje") ne možete vršiti u mikrovalnoj pećnici, jer se temperatura masti ne može kontrolirati što može dovesti do opasnih situacija.
- Kokice možete pripremati u mikrovalnoj pećnici, ali samo u posebnim pakiranjima ili priboru dizajniranom posebno za ovu namjenu. Ova operacija kuhanja se nikada ne bi trebala izvoditi bez nadzora.
- Namirnice s neporoznom kožicom ili ljuškom probušite kako bi izbjegli stvaranje pare i rasprskavanje. Jabuke, krumpiri, pileća jetra i žumanjci su primjer namirnica koje treba probušiti.

UPOZORENJE: Kada zagrijavate tekućine, kao što su npr. juhe, umaci i napitci u vašoj mikrovalnoj pećnici, može se dogoditi pregrijavanje tekućine iznad točke vrenja bez vidljivih mjehurića. To može rezultirati iznenadnim ključanjem vruće tekućine. Kako bi spriječili ovu mogućnost učinite sljedeće:

1. Izbjegavajte korištenje spremnika s pravilnim stranicama i uskim grlima.
 2. Ne pregrijavajte tekućinu.
 3. Promiješajte tekućinu prije stavljanja spremnika u pećnicu i ponovite to na pola puta kroz vrijeme zagrijavanja.
 4. Nakon zagrijavanja, ostavite spremnik u pećnici kratko vrijeme, promiješajte ponovno prije pažljivog uklanjanja spremnika.
- Neki proizvodi kao što su cijela jaja i zabrtvljeni spremnici - kao što su npr. zatvorene staklenke - mogu eksplodirati i ne smiju se zagrijavati u ovoj pećnici. Povremeno, jaja mogu eksplodirati i za vrijeme dok se peku. Zato uvijek probušite žumanjak, zatim pokrijte i pustite da odstoji jednu minutu prije skidanja pokrova.

NAPOMENA:

- Ne okrećite rukom okretni tanjur. To može dovesti do kvara.
- Iskrenje u pećnici za vrijeme korištenja mikrovalova najčešće je posljedica korištenja metalnog pribora. Kontinuirano iskrenje, može oštetiti uređaj. Zaustavite program i provjerite pribor.
- Pazite da ne začepite bilo koji od otvora za provjetranje smještenih na gornjoj, stražnjoj, bočnoj i donjoj stranici pećnice.

Ne koristite ovu pećnicu u komercijalne svrhe. Ova pećnica načinjena je samo za korištenje u domaćinstvima.

Čuvajte ove upute.

Vodič kroz pribor i opremu pećnice

Razni pribor i materijali mogu se koristiti za kuhanje u vašoj mikrovalnoj pećnici. Za vašu sigurnost, kako bi spriječili oštećenja pribora i vaše pećnice, odaberite odgovarajući pribor i materijale za svaku vrstu kuhanja.

Tabela ispod teksta je općeniti vodič.

Materijal	Pribor	Kuhanje u mikrovalnoj pećnici
Keramika i staklo	Jednostavno posuđe	DA
	Vatrostalno stakleno posuđe	DA
	Stakleno posuđe s metalnim ukrasima	NE
	Olovo-kristal staklo	NE
Porculan	Bez metalnih ukrasa	DA
Lončarski proizvodi		DA
Plastika	Posuđe za mikrovalnu pećnicu otporno na toplinu	DA
	Plastični omot	DA
Metal	Posude za pečenje	NE
	Aluminijska folija*	DA
Papir	Čaše, tanjuri, ručnici	DA
Drvo		NE
Oprema	Okretni tanjur	DA
	Podupirač okretnog tanjura	DA

DA: Pribor i oprema za uporabu

NE: Pribor i oprema koju treba izbjegavati

*NAPOMENA: Aluminijsku foliju koristite samo kao zaštitu, pretjerano korištenje može uzrokovati iskretnje.

Tehnički podaci

Ukupne dimenzije	Težina 14.4 kg
Širina 485 mm	Volumen 21 litara
Dubina 422 mm	Priključak 230V, 50 Hz
Visina 287 mm	Osigurač 10 A
Dimenzije unutrašnjosti	Potrošnja energije 1250W
Širina 335.8 mm	Snaga 800W
Dubina 314 mm	
Visina 206 mm	

Priprema za uključivanje mikrovalne pećnice

Uklanjanje ambalaže

Kada otpakirate pećnicu, provjerite da li je proizvod bez oštećenja. Eventualna oštećenja, ili ako nedostaje neki dio, odmah morate javiti isporučitelju. Pećnica, dijelovi pećnice ili oprema mogu biti omotani zaštitnom folijom. Ako je to tako, morate ukloniti foliju prije korištenja pećnice. Ne ostavljajte uklonjeni materijal za pakiranje na dohvatu maloj djeci. To može biti vrlo opasna igra.

Postavljanje

1. Uklonite sve reklamne naljepnice s vrata.
2. Postavite pećnicu na ravnu, uravnoteženu podlogu. Površina mora biti dovoljno jaka da izdrži težinu (13.5 kg) pećnice i sadržaja. Kako bi izbjegli mogućnost stvaranja vibracija ili buke, pećnica mora biti u stabilnom položaju.
3. Držite pećnicu podalje od izvora topline i vode. Izlaganje toplini i vodi može smanjiti efikasnost pećnice i dovesti do kvarova, tako da obvezno provjerite da je pećnica postavljena dalje od izvora topline i vode.
4. Ne pokrivajte otvore za provjetranje na gornjoj i bočnim stranicama kućišta, te isto tako ne stavljajte nikakve predmete na gornju stranicu pećnice. Ako su otvori za provjetranje pokriveni za vrijeme rada, pećnica se može pregrijati što može dovesti do kvara. Vrući zrak izlazi kroz otvore, zato budite sigurni da nisu začepljeni ili da nije pala zavjesa između pećnice i stražnjeg zida.
5. Postavite pećnicu što je dalje moguće od radio i TV prijemnika. Ova pećnica odgovara EEC zahtjevima* u vezi potiskivanja radio-smetnji, ali neke smetnje se ipak mogu pojaviti ako je smještena preblizu radio ili TV prijemniku, tako da je držite što je dalje moguće.
6. Ako je smještena u kutu, ostavite razmak od najmanje 10 cm od zidova, kako bi se osiguralo pravilno provjetranje.

Važno! Pećnica može biti smještena gotovo na bilo kojem mjestu u kuhinji. Provjerite da li je pećnica smještena na glatku, vodoravnu površinu i da otvori za provjetranje kao i površina ispod pećnice nisu blokirani (za efikasno provjetranje).

* Ovaj uređaj odgovara zahtjevima danim u EEC odredbi o radio-smetnjama 87/308/EEC.

Priključak na mrežno napajanje

Pećnica se isporučuje s mrežnim kabelom i utikačem za 230 V, 50 Hz sa zaštitnim uzemljenjem. Uzemljenje umanjuje rizik kod pojave kratkog spoja. Provjerite odgovara li napon pećnice naponu napajanja.

Ako je pećnica priključena na mrežni napon putem produžnog kabela, on isto tako mora biti uzemljen.

Upozorenje! Ovaj uređaj ne smije biti spojen na izvor napajanja bez uzemljenja.

Kontaktirajte ovlaštenog električara ako imate nedoumica, vezano uz električki priključak pećnice ili osiguranja zaštitnog uzemljenja.

Ovaj uređaj mora biti uzemljen. Ako je ovaj uređaj opskrbljen mrežnim utikačem koji ne odgovara vašoj utičnici, utikač treba odrezati i postaviti odgovarajući. Ako je nužna izmjena osigurača u utikaču, poklopac osigurača mora se vratiti na mjesto. Ako je poklopac izgubljen ili oštećen, utikač se ne smije koristiti dok se ne izvrši zamjena.

Električki priključak

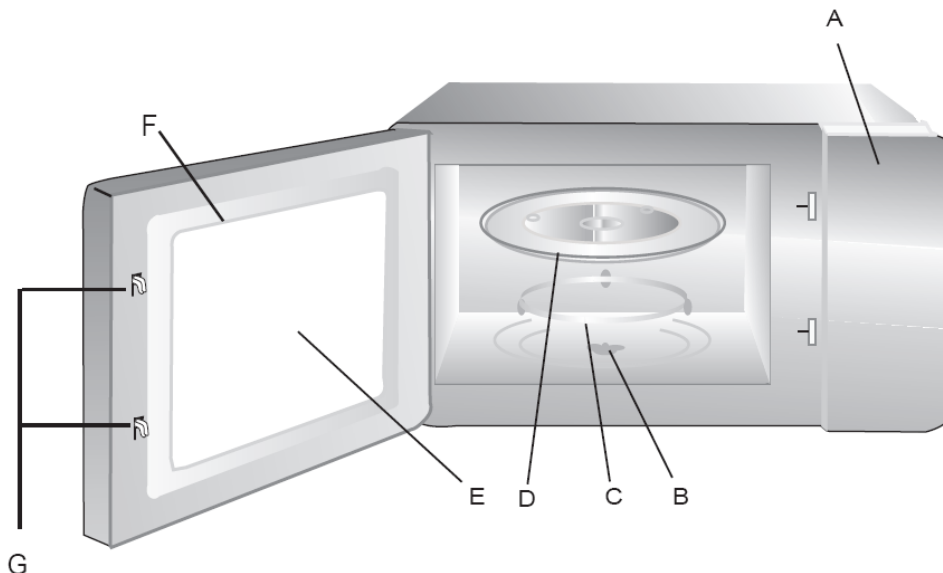
UPOZORENJE! OVAJ UREĐAJ MORA BITI UZEMLJEN.

Proizvođač odbija svaku odgovornost ako se ne pridržavate ovih sigurnosnih mjera.

- Ako utikač na vašem uređaju ne odgovara utičnici treba ga odrezati i zamijeniti odgovarajućim utikačem.

Uklonite osigurač iz odstranjenog utikača. Utikač tada treba odložiti na sigurno kako bi spriječili mogući strujni udar ukoliko bi utikač uključili u utičnicu od 13 Amp u nekom drugom djelu kućanstva.

Kako se koristi vaša mikrovalna pećnica



Naziv i funkcija dijelova

- A. Upravljačka ploča.
- B. Pogonska osovina okretnog tanjura.
- C. Podupirač okretnog tanjura. Postavite podupirač na dno odjeljka za kuhanje kako bi poduprili okretni tanjur.
- D. Okretni tanjur. Napravljen je od posebnog vatrostalnog stakla. Hranu za kuhanje postavite na njega u prikladnom spremniku. Ne koristite pećnicu bez okretnog tanjura.
- E. Prozor. Hranu možete kontrolirati za vrijeme rada mikrovalne pećnice.
- F. Vrata pećnice. Za vrijeme pripreme hrane vrata moraju uvijek biti dobro zatvorena.
- G. Kuke zasuna i sigurnosni sistem zavravljivanja.

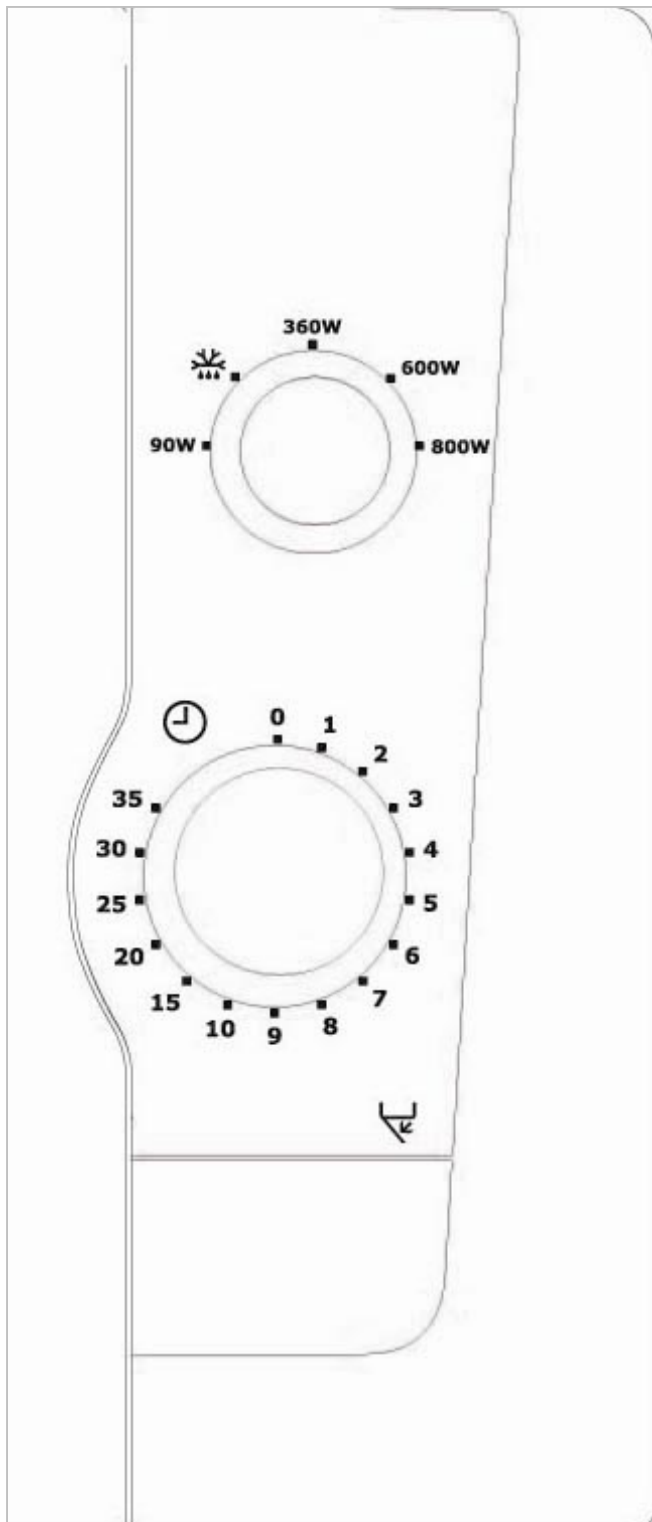
Postavljanje okretnog tanjura

1. Postavite podupirač okretnog tanjura na dno unutrašnjosti pećnice.
2. Postavite okretni tanjur na vrh podupirača okretnog tanjura kao što je prikazano na slici. Provjerite da li je središte okretnog tanjura sigurno uglavljeno u pogonsku osovinu okretnog tanjura.

Nikada ne postavljajte okretni tanjur naopako.

- Za vrijeme kuhanja obavezno morate koristiti i okretni tanjur i podupirač okretnog tanjura.
- Sva hrana i spremnici hrane moraju se uvijek postaviti na ovaj tanjur za vrijeme kuhanja.
- Ovaj tanjur se vrti u smjeru kazaljki na satu i u smjeru suprotnom od kazaljki na satu; to je normalno.

Upravljačka ploča



- 1. Kontrola za odabir snage**
Namjestite kontrolu tako da odredite ispravnu snagu za vašu hranu.
- 2. Vremenski sklop**
Namjestite željeno vrijeme kuhanja. Kuhanje će započeti. **Svi satni vremenski sklopovi radit će točnije ako pri namještanju malo prekoračite željeno vrijeme i potom ih vratite.**

Kuhanje s mikrovalovima

1. Otvorite vrata, smjestite hranu na okretni tanjur. Zatvorite vrata.
2. Namjestite kontrolu za odabir snage do željene razine snage (vidi tablicu).
3. Namjestite vremenski sklop do željenog vremena.

Pećnica započne s kuhanjem.

Kad kuhate manje od 2 minute, okrenite kontrolu vremenskog sklopa na dulje trajanje i potom je vratite na željeno vrijeme.
Ako želite isključiti pećnicu tijekom kuhanja, jednostavno okrenite kontrolu vremenskog sklopa na 0.

Napomena: Nakon uporabe, provjerite da je kontrola vremenskog sklopa vraćena na 0, u suprotnom će pećnica nastaviti s radom.

Primjer: Kuhanje na 600 W u trajanju 15 minuta

1. Okrenite kontrolu za odabir snage na 600 W.
 2. Okrenite vremenski sklop na 15.
 3. Pećnica će automatski započeti kuhati 15 minuta na 600 W.
-

Vodič za podešavanje snage mikrovalova

Podešena snaga	Preporuka za korištenje
90W	Održavanje topline; Održava hranu toplom
180W	Odleđivanje; Otapanje zamrznute hrane.
360W	Ključanje: Dovršenje ciklusa kuhanja nekih pečenki. Složenci i paprikaš. Zapečena krema od jaja i kolač od sira.
600W	Srednje: Brže odleđivanje i podgrijavanje složenaca i paprikaša. Srednje; Pečenje kolača
800W	Podgrijavanje: Podgrijavanje već spravljene hrane. Pečenje većih komada mesa i peradi. Ključanje ili podgrijavanje tekućina. Kuhanje povrća.

Upute za odmrzavanje korištenjem snage 180W

Neka hrana kao što su kruh i voće može se uspješno ručno odmrznuti koristeći ovu snagu.

HRANA	PRIPREMA	180 W	VRIJEME STAJANJA
Kruh			
Mali kruh	Postavite ga na rešetku otpornu na mikrovalove ili na kuhinjski papir. Okrenite na polovici vremena odmrzavanja.	8–10 min.	10–15 min.
Narezan veliki kruh	Postavite ga na rešetku otpornu na mikrovalove ili na kuhinjski papir. Okrenite na polovici vremena odmrzavanja.	10–13 min.	10 min
2 kriške	Postavite na kuhinjski papir.	45–60 sek.	5 min.
1 kruh	Postavite na kuhinjski papir.	45–60 sek.	5 min.
2 kruha	Postavite na kuhinjski papir.	1–1 1/2 min.	5 min.
Keksi i kolači			
Gateau 450g	Izvadite iz omota, stavite na tanjur.	9–11 min.	15–30 min.
Kolač od sira 450g	Izvadite iz omota, stavite na tanjur.	9–11 min.	15–30 min.
Pita (spravljena) 450g	Izvadite iz omota, stavite na tanjur.	7– 9 min.	15–30 min.
Kolači 450g	Izvadite iz omota, stavite na tanjur.	7– 9 min.	15–30 min.
Maslac			
250g (1 pakiranje)	Ako je omotan folijom, uklonite ju i postavite ga na tanjur.	3– 4 min.	5–10 min.
Voće			
225g Voće s mekim bobicama	Postaviti u jednom sloju u plitku posudu.	5– 6 min.	5–10 min.
450g Voće s mekim bobicama	Postaviti u jednom sloju u plitku posudu.	7– 8 min.	5–10 min.
Obrok			
400g	Pokriti tanjurom ili prijanjajućom folijom bez PVC-a. Za podgrijavanje, mikrovalovi na 100% (800 W) u trajanju 3-4 minute.	7– 8 min	5–10 min.
Povrće			
	Odmrzavanje povrća prije kuhanja nije nužno. Svo povrće može se odmrzavati i kuhati na 100% (800 W).		

Natuknice o mikrovalnoj pećnici

- Pećnicu uvijek držite čistom – izbjegavajte proljevanje namirnica i ne zaboravite počistiti ispod staklene plitice i unutrašnju stranu vrata.
- Po mogućnosti koristite okruglo ili ovalno posuđe s poklopcem kada kuhate u svojoj mikrovalnoj pećnici.
- Ne koristite metalno posuđe ili posuđe s metalnim dekoracijama. Određeni plastični materijali se mogu rastopiti i iskriviti od vruće hrane.
- Pokrijte hranu kada kuhate. Koristite staklene poklopce, tanjure ili papir otporan na masoću.
- Kolači, kruh i slično mogu se odmrzavati direktno u košari za kruh ili na papirnatom ručniku.
- Ako se smrznuta hrana zagrijava u svom omotu, potrebno ga je otvoriti. Omote koji sadrže metal ili metalne dekoracije ne smijete koristiti osim ako nisu preporučeni za uporabu u mikrovalnoj pećnici. Uklonite metalne kopče i žičane vezice.
- Sitne komadiće aluminijske folije možete koristiti za pokrivanje dijelova koji se lako prekuhaju kao što su pileći bataci.
- Hranu sa ljuskama ili kožom trebate probušiti vilicom - npr. krumpiri i kobasice. Ne kuhajte jaja u mikrovalnoj pećnici jer mogu eksplodirati.
- Velike, debele komade postavite blizu ruba posude i pokušajte narezati hranu na nekoliko jednakih komada. Hranu uvijek postavite u sredinu pećnice.
- Hrana će biti ujednačeno kuhana ako je promiješate ili okrenete nekoliko puta.
- Uvijek podesite kraće vrijeme kuhanja nego što je dano u vašem receptu kako bi izbjegli da se hrana prekuha. Veća količina hrane zahtijeva duže vrijeme.
- Koristite malo ili ništa vode za povrće.
- Koristite manje soli i začina nego za "normalno" kuhanje.
- Začine dodajte na kraju.
- Dopustite nekoliko minuta "stajanja" nakon što se pećnica isključila, kako bi osigurali potpune i ujednačene rezultate kuhanja.
- Uvijek servirajte vruću hranu.
- Koristite držače posuda ili rukavice kada vadite posuđe i hranu iz pećnice.

Savjeti o mikrovalnoj pećnici

- **Omekšavanje meda**
Ako imate teglu kristaliziranog meda, otklopite ju i stavite u pećnicu, uključite mikrovalove srednje snage na 2 minute.
- **Otapanje čokolade**
Izlomite 100 g čokolade na četvrtaste komade, stavite ih u posudu i zagrijavajte na velikoj snazi 1-2 minute. Dobro miješajte.
- **Omekšavanje ili otapanje maslaca**
Na velikoj snazi za otapanje je potrebno nekoliko sekundi. Maslac ćete najbolje omekšati nježnije, na niskoj snazi.
- **Osvježavanje ili zagrijavanje kruha**
Nekoliko sekundi koristite srednju snagu.
- **Lagano guljenje češnjaka**
Zagrijte 3 do 4 čena češnjaka na jakoj snazi 15 sekundi. Stisnite s jedne strane, dok čenovi ne ispadnu.
- **Voćni sok**
Agrumi će dati više soka ako ih prije cijedenja 15 sekundi zagrijete na jakoj snazi.
- **Kuhanje kaše**
Kašu ćete lako skuhati u tanjurima/posuđu za posluživanje, bez ljepljivih posuda za pranje. Držite se uputa proizvođača hrane.

Održavanje i čišćenje

Pećnica uvijek mora biti čista. Ostaci prolivene hrane ili prskanja će privlačiti energiju mikrovalova što će dovesti do zagaranja. To može smanjiti efikasnost pećnice i stvoriti loš miris. Ne dirajte i ne pokušavajte izmijeniti ili popraviti bilo koji dio pećnice. Popravak mora obaviti stručna i ovlaštena osoba.

Provjerite da li je pećnica isključena i mrežni utikač izvučen iz utičnice prije čišćenja.

Čišćenje opreme (okretni tanjur i podupirač)

Očistite ih blagim sredstvom za čišćenje nakon vađenja iz unutrašnjosti pećnice. Pažljivo rukujte s podupiračem.

PAŽNJA: Unutrašnjost pećnice i okretni tanjur postaju vrlo vrući, pa ih nemojte dodirivati odmah po uporabi.

Čišćenje unutrašnjosti

Uvijek držite unutrašnjost pećnice čistom. Odmah počistite pećnicu ako dođe do prolijevanja ili prskanja hrane. Ostaci na stjenkama pećnice, brtvi vrata i površini vrata apsorbirat će energiju mikrovalova, smanjiti efikasnost pećnice i mogu dovesti do oštećenja unutrašnjosti pećnice. Za uklanjanje ostataka koristite blaga, tekuća sredstva za čišćenje, toplu vodu i meku čistu krpu.

NIKADA NE KORISTITE ABRAZIVNA SREDSTVA ZA ČIŠĆENJE, SREDSTVA ZA ČIŠĆENJE KLASIČNIH PEĆNICA ILI JASTUČIĆE OD ČELIČNE VUNE ZA ČIŠĆENJE BILO KOJEG DIJELA MIKROVALNE PEĆNICE.

Za omekšavanje težih mrlja, zagrijte čašu vode u mikrovalnoj pećnici u trajanju 2-3 minute.

NIKADA NE KORISTITE NOŽ ILI KAKAV DRUGI ALAT ZA UKLANJANJE MRLJA S POVRŠINE PEĆNICE.

Za uklanjanje mirisa iz unutrašnjosti pećnice, zagrijte čašu vode sa dvije žlice limunovog soka u trajanju od 5 minuta.

Čišćenje vanjskog dijela pećnice

Otvorite vrata pećnice kada čistite upravljačku ploču. Na taj način ne može doći do slučajnog neželjenog uključivanja pećnice. Vanjsku površinu pećnice čistite blagim tekućim sredstvom za čišćenje i vodom, nakon čega obrišite čistom vodom ostatke deterdženta. Osušite mekom krpom.

Sredstva za čišćenje prozora u spreju ili višenamjenska kuhinjska sredstva za čišćenje u spreju mogu se isto tako koristiti. Nikada ne koristite abrazivna sredstva za čišćenje, žičane jastučice za ribanje ili jake kemikalije na vanjskim površinama vaše pećnice. Kako bi se izbjegla oštećenja radnih dijelova, ne dopustite ulijevanje vode u ventilacione otvore.

Servis i nadomjesni dijelovi

Ako mikrovalna pećnica ne radi, molimo da provjerite sljedeće prije nego pozovete ovlaštenu servis.

Ako mikrovalna pećnica ne započinje s radom:

- Provjerite da je aparat pravilno spojen.
- Provjerite da je utikač pravilno uključen u utičnicu.
- Ako je potrebno, zamijenite osigurač u kabelu, sa novim istovjetnim po snazi.
- Provjerite da u utičnici ima napona tako da uključite neki drugi uređaj.
- Provjerite ispravnost osigurača u domaćinstvu.

Ako mikrovalovi ne rade:

- Možda je namještena sigurnosna zaštita (dostupna na nekim modelima).
- Provjerite da su kontrole pravilno podešene.
- Provjerite podešenje/postupak koristeći uputu za uporabu.
- Provjerite da su vrata pravilno zatvorena. (Ako su dijelovi hrane ili nešto drugo ostali zaglavljani u otvoru vrata, vrata se neće pravilno zatvoriti i mikrovalna pećnica neće raditi).

Ako nakon ovih provjera mikrovalna pećnica i dalje ne radi pravilno, stupite u kontakt sa najbližim ovlaštenim servisnim centrom.

VAŽNO: Ako pozovete servisera radi jedne od ovdje navedenih smetnji ili zbog pogrešnog rukovanja ili postavljanja mikrovalne pećnice, dolazak neće biti besplatan čak i unutar jamstvenog roka.

Servisne usluge i nadomjesne dijelove nude ovlašteni Electrolux servisi.

Kada naručujete servisnu uslugu ili dijelove, molimo vas da pripremite točan naziv i model mikrovalne pećnice.

Te podatke ćete naći na natpisnoj pločici.

Zapišite ih tako da su vam uvijek pri ruci kada ih trebate.

Model:

Serijski broj:

Datum kupnje:

Napomena: Pospremite vaše upute i jamčevni list.

Tartalomjegyzék

A mikrohullámú sütő használata előtt	4
Biztonsági tudnivalók	4
Edények biztonsága	4
A főzőedények alkalmasságának vizsgálata	5
Az ételek biztonsága	5
Sütőedények és tartozékok	6
Műszaki adatok	6
Előkészületek az üzembe helyezéshez	7
Kicsomagolás	7
Elhelyezés	7
Csatlakoztatás a hálózatra	7
Hogyan működik a mikrohullámú sütő?	8
Fő részek megnevezése és funkciói	8
Forgótányér behelyezése	8
Kezelőpanel	9
Mikrohullámú főzés	10
Mikrohullámú teljesítmény táblázat	10
Felolvasztási tudnivalók 180 W beállításnál	11
Mikrózási tanácsok	12
Tisztítás és ápolás	13
Tartozékok tisztítása (forgótányér és támasz)	13
Belső tisztítás	13
Külső tisztítás	13
Üzemzavarok - pótalkatrészek	14
Jótállás	14

Gratulálunk az új mikrohullámú sütő megvásárlásához

Köszönjük, hogy Electrolux terméket választott. Meggyőződésünk, hogy nagyon hasznosnak találja majd az új mikrohullámú sütőt, amely nagyszerű segítőtársa lesz. Mint minden konyhai készülék, ez is megköveteli, hogy megismerje a fő részeket és azok funkcióit, mivel a készülék nélkülözhetetlen lesz majd az Ön számára.

A mikrohullámú sütő használata előtt

Mielőtt a készülékét használatba venné, feltétlenül olvassa el ezt a Használati útmutatót. Az Electrolux mikrohullámú sütő használatakor a legjobb eredmény elérése érdekében tartsa be a Használati útmutatóban leírtakat. Figyelmesen olvassa el a tudnivalókat. Ügyeljen arra, hogy a Használati útmutató mindig a rendelkezésére álljon.

Ha a készüléket eladja, vagy elajándékozza, akkor ezt a Használati útmutatót is adja át az új tulajdonosnak, hogy Ő is tisztában legyen a készülék működésével és megismerje a vonatkozó biztonsági útmutatásokat is. A használatba vétel előtt jól ismerje meg a kezelőelemeket, a különböző funkciókat és kövesse az ajánlásokban leírtakat is.

Biztonsági tudnivalók

- A beépített biztonsági kapcsoló megakadályozza, hogy nyitott ajtónál működjön a mikrohullámú sütő.
- Ne próbálja meg "bűtykölni" a kapcsolót és ne próbálkozzon a sütő nyitott ajtóval történő működtetésével sem, mert az a mikrohullámú energia veszélyes kijutását eredményezheti.
- Ne hagyja a kifróccsant étel- és tisztítószer maradványokat rárakódni az ajtót tömítő felületekre. Vegye figyelembe a tisztításra vonatkozó fejezet előírásait.
- Különösen fontos, hogy a sütőajtó tökéletesen zárjon, ne legyen sérült, vagy deformálódott (1). A zsanéroknak (2) és a zárszerkezetnek biztonságosnak, az ajtó tömítésének (3) és a tömítő felületeknek kifogástalan állapotban kell lenni.
- Soha ne próbálkozzon saját maga a készülék javításával. A meghibásodott készülék javítását, beleértve a csatlakozó vezeték cseréjét is, csak a jótállási jegyben megjelölt szerviz végezheti. Hiba esetén forduljon a kijelölt szervizhez.
- Soha ne távolítsa el a készülék külső burkolatát, az ajtót, vagy a kezelőpanelt. A nagyfeszültség rendkívül veszélyes.
- A készülék elhelyezésénél vegye figyelembe az „**Elhelyezési tudnivalók**” című fejezet előírásait.
- A készüléket kizárólag az Útmutatóban leírtak figyelembe vételével használja. Ne használjon maró vegyi anyagokat a készülékben. Ezt a típusú sütőt kifejezetten háztartási ételek melegítésére, főzésére és felolvasztására tervezték. Nem alkalmas ipari, laboratóriumi, vagy kereskedelmi használatra, amely rendeltetésellenes használatnak minősül és nem vonatkozik rá a jótállás.
- Ne működtesse a sütőt a forgótányér és ételek behelyezése nélkül. Amennyiben a sütőben nincs étel, vagy víz, amelyek képesek a mikrohullámú energia elnyelésére, akkor károsodhat a magnetron.
- Ha gyerekek tartózkodnak a készülék közelében, akkor az csak felügyelet mellett üzemeltethető.
- Ne tárolja a készüléket a szabadban. Ne használja víz közelében sem.
- Ne próbáljon ruhaneműt, vagy újságpapírt szárítani a mikróban, mert azok meggyulladhatnak.
- Ne használja a sütőteret tárolási célra. Ne hagyjon benne papírtermékeket, főzőedényeket, vagy ételeket, amikor nem használja.

Edények biztonsága

A legtöbb üveg, üvegkerámia és hőálló üvegedény tökéletesen alkalmas a mikrohullámú sütőben történő használatra. A mikrohullámú energia nem melegíti fel a legtöbb edényt, azok azonban mégis felmelegsznek a benne lévő étel hőjétől. Az edények kivételéhez használjon védőkesztyűt.

A főzőedények alkalmasságának vizsgálata

- Helyezze a főzőedényt a mikróba egy fél pohár vízzel együtt. Melegítse egy percig 800 W-os (100%) teljesítményen. Ha a főzőedény felforrósodik, akkor az nem alkalmas mikrózásra. Ha csak éppen meleg, akkor melegítésre használható, de főzésre nem. Ha az edény szobahőmérsékletű maradt, akkor alkalmas a mikróban történő főzésre.
- A papírtálcák, zsírpapírok, papírtörölközők, tányérok, csészék, fagyasztó tálcák és kartonpapírok nagyon kényelmes edények. Mindig töltsé őket tele étellel, hogy elnyeljék az energiát, mert így elkerülheti az edények túlmelegedését.
- Sokfajta műanyag edény, pl. tálca, tányér, doboz, stb. alkalmas a mikrohullámú sütőben történő használatra. Mindig kövesse a gyártó ajánlását. A túl zsíros, vagy magas cukortartalmú ételek esetében azonban kerülje el ezeknek az edényeknek a használatát, mivel a magas hőmérséklet miatt ezek könnyen megolvadhatnak.
- Ne hagyja a sütőt felügyelet nélkül, amikor műanyag, papír, vagy más könnyen éghető edényben melegít, vagy főz. Ha füstöt észlel, kapcsolja ki a készüléket, húzza ki a dugót és hagyja az ajtót zárva, amíg a füst megszűnik.
- Fém- és fémdíszítésű edények nem használhatók a mikróban, kivéve a speciálisan erre a célra tervezett edényeket.
- Szűk nyílású edények (üvegek) nem használhatók a mikrohullámú főzésre.
- Az égési sérülések elkerülése érdekében óvatosan vegye le a fedőt, vagy távolítsa el az edényt.

Az ételek biztonsága

- Az ételeket mindig alkalmas tárolóedényben melegítse.
- Ne használja a készüléket fritőzésre, mert az olaj/zsír hőfoka nem szabályozható és könnyen meggyulladhat.
- A mikróban csak olyan kukorica pattogatása végezhető, amelyet kifejezetten mikróban történő elkészítésre gyártottak. Ezt a műveletet tilos felügyelet nélkül végezni.
- A nem porózusos, héjas ételek bőrét szurkálja meg, hogy a keletkező gőzök kijuthassanak. Néhány ételkészítésnél gondoskodni kell a külső burok kiszúrásáról (alma, burgonya, csirkebőr, tojáshéj), hogy a keletkező gőzöktől az ételkészítés ne "robbanjon" szét.

Vigyázat! Amikor folyadékot melegít, pl. levest, szószt, italt, akkor a forráspont feletti túlfűtés miatt a folyadék kifuthat. Hogy ezt elkerülhesse, tartsa be a következőket:

1. Ne használjon egyenes oldalú, szűk szájú edényt.
2. Kerülje el a túlfűtést.
3. Kavarja fel a folyadékot, mielőtt beteszi a készülékbe, majd a melegítés félidejében a kavarást ismétlje meg.
4. A melegítés után rövid ideig hagyja a folyadékot állni a készülékben, majd keverje meg és óvatosan vegye ki az edényt.

- Néhány ételkészítés, mint pl. egész tojás, valamint néhány edény, pl. zárt lekvárosüveg széttörhetnek. Rántotta sütésénél szűrje ki a tojás sárgáját, majd takarja le és hagyja 1 percig állni, mielőtt eltávolítja a tetőt.

FIGYELEM:

- Ne erőltesse a forgótányér forgását kézzel. Meghibásodást okozhat.
- Amennyiben a mikró működése közben szikrázás fordul elő, akkor azt fém, vagy fémtartalmú edény okozza. A folyamatos szikrázás károsíthatja a készüléket. Ilyenkor azonnal kapcsolja ki és ellenőrizze az edényt.
- Ha az edény deformálódik, akkor hagyja abba a sütést és válasszon másik edényt.
- Ügyeljen arra, hogy semmi ne zárja el a sütő szellőző nyílásait.

Ne használja a sütőt kereskedelmi célra.

Ez a sütő kizárólag háztartási használatra készült.

Mindig tartsa be az előzőekben leírtakat!

Sütőedények és tartozékok

A mikrózáshoz számos eszköz és anyag használható. Egy adott főzési / sütési módhoz biztonsági okok miatt mindig a legalkalmasabb eszközöket és anyagokat válassza ki. Vegye figyelembe az alábbi táblázatot.

Anyag	Edény	Mikrohullámú főzés
Kerámia és üveg	Főzőedény	IGEN
	Hőálló üvegáru	IGEN
	Üvegáru fémdíszítéssel	NEM
	Ólomkristály	NEM
Porcelán	Fémdíszítés nélkül	IGEN
Agyagedény		IGEN
Műanyag	Hőálló edény mikrohullámú sütőbe	IGEN
	Műanyag csomagoló anyag	IGEN
Fém	Fém sütőserpenyő	NEM
	Alumínium fólia*	IGEN
Papír	Csésze, tányér, papírtörölköző	IGEN
	Zsírpapír	IGEN
Fa		NEM
Tartozékok	Forgótányér	IGEN
	Forgótányér támasz	IGEN

IGEN

NEM

* MEGJEGYZÉS

Használható edények és tartozékok

Nem használható edények és tartozékok

Alumínium fóliát csak árnyékolásra használjon, a túl sok fólia szikrázást okoz

Műszaki adatok

Külső méretek	Szélesség	485 mm
	Mélység	422 mm
	Magasság	287 mm
Sütőtéri méretek	Szélesség	335.8 mm
	Mélység	314 mm
	Magasság	206 mm
	Úrtartalom	21 liter
Teljesítmény-felvétel		1250 W
Mikrohullámú teljesítmény		800 W
Tömeg		14,4 kg
Feszültség		230V/50Hz
Biztosíték igény		10 A
Zajkibocsátás		60 dB(A)



Ez a készülék megfelel az alábbi irányelveknek:

- 73/23/EWG - 1973.02.19 (kisfeszültségű irányelv a változásokkal bezárólag)
- 89/336/EWG - 1989.05.03. (EMC-irányelv a 92/31/EWG változásokkal bezárólag)

Előkészületek az üzembe helyezéshez

Kicsomagolás

Figyelem: Amikor kicsomagolta a sütőt, feltétlenül ellenőrizze, hogy a szállítás közben nem érte-e valamilyen sérülés a készüléket. A sérült, vagy hiányzó részekkel rendelkező sütőt tilos üzembe helyezni, azt azonnal vissza kell vinni az eladás helyére. A sütőt is és a tartozékokat is védőfólia boríthatja. A sütő használata előtt ezt a védőfóliát (amennyiben van) el kell távolítani. Ne engedje, hogy a gyermekek játsszanak a csomagoló anyagokkal. A csomagoló anyagok veszélyesek lehetnek a gyerekek számára.

Elhelyezés

1. Minden reklámcímkét távolítson el a sütő ajtajáról.
2. A sütőt stabil, sima felületre helyezze. A felületnek olyan erősnek kell lennie, hogy a készüléket is (13,5 kg) és a tartalmát is biztonsággal megtartsa. A vízszintes felületre a rendellenes zaj és vibráció elkerülése érdekében van szükség.
3. A sütőt tartsa távol hőtől és víztől. Mindkettő csökkenti a sütő hatásfokát, sőt meghibásodáshoz vezethet. Az elhelyezésnél ezért ügyeljen arra, hogy hőforrástól és víztől megfelelő távolságban legyen a sütő.
4. Ne zárja el a burkolat felső és oldalsó szellőző nyílásait és semmivel ne takarja le őket. Ne tegyen semmilyen tárgyat a sütő tetejére. Ha a szellőző nyílások a működés során takarva vannak, akkor a fellépő túlmelegedés meghibásodáshoz vezet. Arra is ügyeljen, hogy a szellőző nyílásokon távozó forró levegő eltávozását sem függöny, sem más tárgy ne akadályozhassa a készülék hátoldalán.
5. A készüléket rádiótól és TV-től a lehető legtávolabb helyezze el. A sütő megfelel az EMC (elektromágneses kompatibilitásra vonatkozó) irányelveknek, azonban ha túl közel üzemel a rádióhoz, vagy a TV-hez, akkor zavarokat okozhat.
6. Ha a készüléket sarokban helyezi el, akkor hagyjon legalább 10 cm-es távolságot a faltól, hogy a megfelelő szellőzés biztosítható legyen.

Fontos! A sütő a konyhában bárhol elhelyezhető. Ügyeljen azonban arra, hogy sík felületre állítsa a készüléket és a szellőzőnyílások ne legyenek eltakarva és a szellőzés alulról is biztosítva legyen.

Csatlakoztatás a hálózatra

A sütőt a gyártó bekötött csatlakozó vezetékkel és dugóval szállítja, amelyet 230 V 50 Hz-es földelt konnektorba kell csatlakoztatni. A földelés minimálisra csökkenti a rövidzárlat kockázatát. Csatlakoztatás előtt ellenőrizze, hogy a lakás elektromos hálózatának adatai megegyeznek-e a fent leírtakkal.

Megjegyzés: Ha a sütőt hosszabbítón keresztül csatlakoztatja a hálózatra, akkor annak is földelt kivitelűnek kell lennie.

FIGYELEM! Tilos a készüléket földetlen konnektorból üzemeltetni.

Ha a megfelelő földelt konnektor nem áll a rendelkezésére, akkor arra illetékes szakemberrel kell a megfelelő kiépítetéről gondoskodnia.

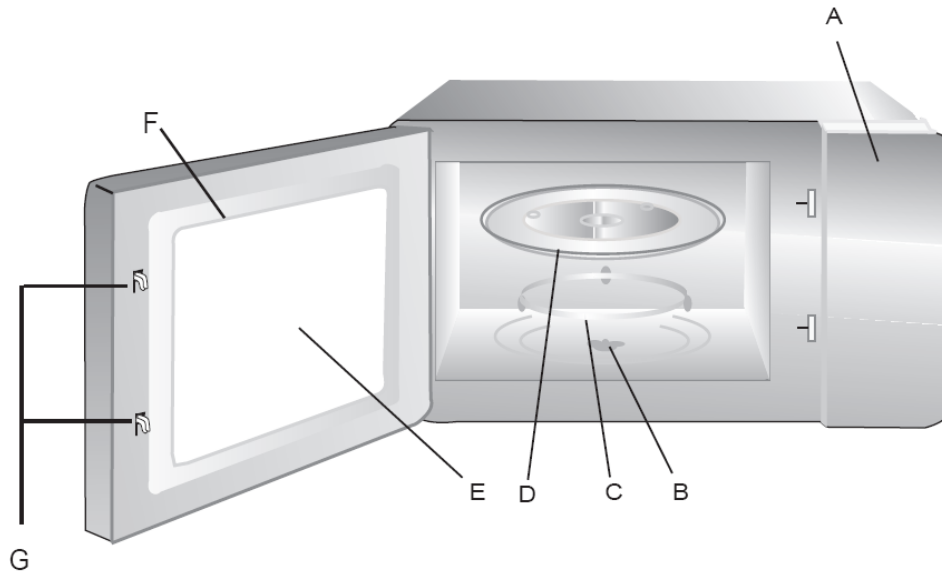
Elektromos csatlakoztatás

Ez a készülék egy az európai szabványnak megfelelő kétcsapos csatlakozó dugóval van felszerelve.

FIGYELEM! A KÉSZÜLÉKET FÖLDELNI KELL.

A gyártó minden felelősséget elhárít magától, ha a meghibásodás, illetve kár a biztonsági előírások be nem tartása miatt következik be.

Hogyan működik a mikrohullámú sütő?



Fő részek megnevezése és funkciói

- A. Kezelőpanel
- B. Forgótányért meghajtó tengely
- C. Forgótányér támasz – úgy helyezze be a sütő aljára, hogy jól megtartsa a forgótányért.
- D. Forgótányér – speciális hőálló üvegből készült. Sütés-főzéskor erre a tányérra kell a tartóba elhelyezett ételt rakni. Ne használja a sütőt forgótányér nélkül.
- E. Átlátszó ablak – a sütő működése közben figyelemmel kísérheti a készülő ételt.
- F. Sütőajtó – sütés közben az ajtónak szilárdan záródnia kell.
- G. Kampós zárnyelv – ez a biztonsági ajtózárs rendszer része.

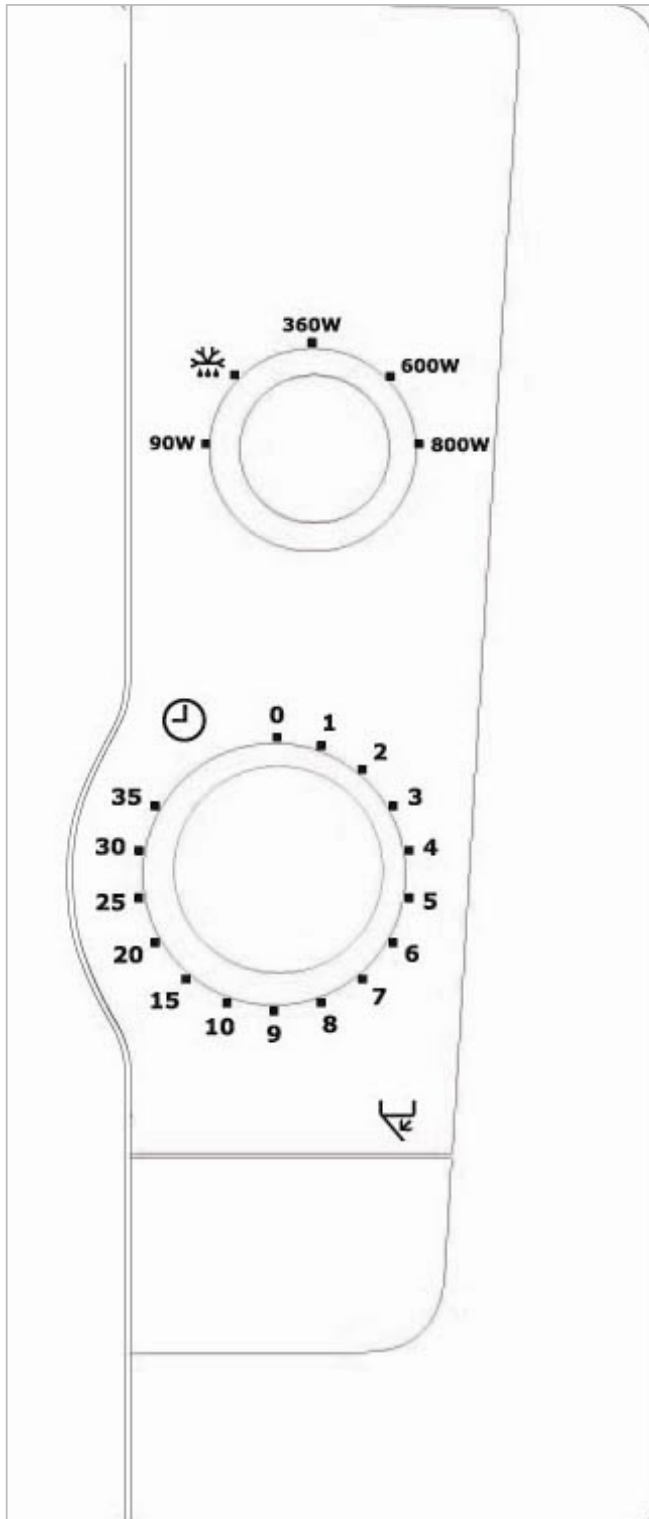
Forgótányér behelyezése

1. Helyezze a forgótányér támaszt a sütő aljára.
2. Helyezze a forgótányért a meghajtó tengelyre a képen látható módon. Ügyeljen arra, hogy a forgótányér megfelelően illeszkedjen a meghajtó tengelyre.

Soha ne tegye be a forgótányért lefelé fordítva.

- Sütés-főzéskor a forgótányér támaszt és a forgótányért is használni kell.
- Az edénybe helyezett ételt mindig a forgótányérra kell betenni.
- A forgótányér az óramutató járásával azonos és ellentétes irányba is foroghat. Ez teljesen normális.

Kezelőpanel



1. Mikrohullámú teljesítményt beállító gomb

A gomb segítségével lehet a szükséges mikrohullámú teljesítményt beállítani.

2. Beállító gomb

Állítsa be a kívánt főzési időt. A főzés automatikusan megkezdődik. Minden időkapcsoló pontosabban működik, ha a szükséges főzési időn túl elforgatja a gombot, majd visszafelé forgatva állítja be a pontos időt, ameddig a főzést végezni akarja.

Mikrohullámú főzés

1. Nyissa ki az ajtót, helyezze be az ételt a forgótányérra és zárja be az ajtót.
2. Állítsa be a szükséges főzési teljesítményt. Vegye figyelembe az alábbi táblázatot.
3. A beállító gomb óramutató járásával megegyező irányba történő elforgatásával állítsa be a szükséges főzési időt.

A készülék működése megkezdődik.

Ha a főzési idő 2 percnél kevesebb, akkor mindenképpen forgassa el az időbeállító gombot egy a 2-nél nagyobb számra, majd vissza a kívánt időre.

A sütő kikapcsolásához egyszerűen forgassa el az időbeállító gombot a „0” pozícióba.

Vigyázat: Minden használat után ellenőrizze, hogy az időbeállító a „0” pozícióban van-e, vagy ha folytatni akarja a sütést, akkor állítson be egy új időt.

Példa: Sütés 450 W teljesítményen, 15 percig

1. Forgassa el a teljesítmény beállító gombot a 600 W-os beállításba.
2. Forgassa el az idő beállító gombot a 15-ös számhoz.
3. A sütő működése megkezdődik és 15 percig automatikusan 600 W-os teljesítményen üzemel.

Mikrohullámú teljesítmény táblázat

Teljesítmény beállítás	Felhasználási javaslat
90 W	Melegentartó funkció: Ételek melegen tartásához
180 W	Felolvasztó funkció: Fagyasztott élelmiszerek felolvasztásához
360 W	Gyenge fokozat: Néhány fajta sült befejező főzéséhez, tejsodó vagy sajtos keksz sütéséhez
600 W	Közepes fokozat: Gyorsabb felolvasztáshoz, casserole és ragu felmelegítéséhez Közepes fokozat: Kekszek sütéséhez, puddingok készítéséhez
800 W	Felmelegítő fokozat: Előfőzött ételek felmelegítéséhez, baromfi és húspecsenye sütéséhez Levesek felmelegítéséhez, főzéséhez, zöldségek főzéséhez, barnító táliban készült ételek felmelegítéséhez

Felolvasztási tudnivalók 180 W beállításnál

Néhány ételfajta (kenyér, gyümölcs) felolvasztása jobb eredményt ad ezen a 180 W teljesítményen való felolvasztáskor.

Étel	Előkészítés	Időszükséglet 80 W-on	Állásidő
Kenyér			
Kis méretű egész kenyér	Mikrohullámálló rácsra vagy papírtörölközőre tegye. A felolvasztás félidejében fordítsa meg.	8-10 perc	10-15 perc
Nagy méretű szeletelt kenyér	Mikrohullámálló rácsra vagy papírtörölközőre tegye. A felolvasztás félidejében fordítsa meg.	10-13 perc	10 perc
2 szelet	Tegye papírtörölközőre.	45-60 mp	5 perc
1 zsemlye	Tegye papírtörölközőre.	45-60 mp	5 perc
2 zsemlye	Tegye papírtörölközőre.	1-1,5 perc	5 perc
Sütemények és tészták			
Torta (450 g)	Távolítsa el a csomagolást és tegye tányérra.	9-11 perc	15-30 perc
Sajtos sütemény (450 g)	Távolítsa el a csomagolást és tegye tányérra.	9-11 perc	15-30 perc
Pite (450 g)	Távolítsa el a csomagolást és tegye tányérra.	7-9 perc	15-30 perc
Tészta (450 g)	Távolítsa el a csomagolást és tegye tányérra.	7-9 perc	15-30 perc
Vaj			
250 g (1 csomag)	Távolítsa el róla a fóliát és tegye tányérra.	3-4 perc	5-10 perc
Gyümölcs			
Puha bogyós gyümölcs (225 g)	Egy rétegben helyezze lapos tányérra.	5-6 perc	5-10 perc
Puha bogyós gyümölcs (450 g)	Egy rétegben helyezze lapos tányérra.	7-8 perc	5-10 perc
Tányéros készétel			
450 g	Takarja le tányérral. Melegítse elő 100%-is mikrohullámú teljesítményen 3-4 percig.	7-8 perc	5-10 perc
Zöldségek			
	Főzés előtt nem szükséges a zöldségeket felolvasztani. Indokolt esetben minden zöldség felolvasztható 100 %-on (800 W-on).		

Mikrózási tanácsok

- Mindig tartsa a mikró tisztn, lehetőleg kerülje el az ételek kifröccsenését és ne felejtkezzen el megtisztítani a forgótányért, valamint a sütő belsejét.
- Mikrózásnál részesítse előnyben a fedővel rendelkező kerek, vagy ovális edényeket.
- Ne használjon fém, vagy fémdíszítésű edényeket. Bizonyos műanyag edények az étel forróságától megolvadhatnak.
- Főzéskor takarja le az ételeket. Használjon erre a célra üvegfedőt, tányért, vagy zsírálló papírt.
- Tésztát, kenyeret és hasonlókat közvetlenül a kenyértartó kosárban is, vagy szalvétán is felolvaszthat.
- Ha a fagyasztott ételt a csomagolásában melegíti fel, akkor a csomagolást először ki kell nyitni. Ha a csomagolás fémet, vagy fémdekorációt is tartalmaz, akkor azt csak akkor nem kell eltávolítani, ha a gyártó kifejezetten erre a célra ajánlja. Távolítsa el a fém zárókapcsot is.
- Kisebb darab alumínium fólia használható a mikróban olyan részek burkolására, ahol a túlfűzés elkerülése a cél (pl. csirkeláb).
- A nagyobb, sovány darabokat a hőálló edény szélére tegye és ha lehet, próbálja a nagyobb darabokat kisebb méretűekre felvágni. Az edényt mindig a készülék közepére helyezze.
- Az étel egyenletesen fog elkészülni, ha időnként megkeveri, vagy megforgatja.
- Mindig rövidebb főzési időt állítson be, mint amennyit a receptkönyvek írnak, hogy a túlfűzést elkerülje. A nagyobb mennyiségek hosszabb főzési időt igényelnek.
- Zöldségek párolásánál ne használjon vizet, vagy ha kell, akkor csak kis mennyiséget.
- Kevesebb sót és fűszert használjon, mint amennyit a hagyományos főzésnél szokott.
- Fűszerezzen később.
- A főzés befejezése után hagyja állni az ételt, hogy jobb eredményt kapjon.
- Mindig tűzforró legyen az étel, mielőtt tálalja.
- Mindig használjon edényfogót, vagy kesztyűt, amikor az edényt kiveszi a készülékből.
- **Méz felolvasztása** – Ha az üvegben lévő méz kikristályosodott, akkor vegye le az üveg tetejét, majd az üveget helyezze a mikróba 2 percre, közepes teljesítmény beállításával.
- **Csokoládé felolvasztása** – 100 g csokoládét darabolja fel, helyezze egy mély tálba és magas teljesítménnyel 1-2 percig olvassza, majd jól keverje meg.
- **Vaj puhítása, vagy felolvasztása** – Az olvasztást néhány másodpercig magas teljesítménnyel végezze. Ha csak meg akarja puhítani, akkor alacsonyabb teljesítményt állítson be.
- **Kenyer frissítése, melegítése** – Néhány másodpercig végezze, közepes teljesítmény beállításával.
- **Fokhagyma héjának a könnyű eltávolításához** – 3-4 gerezd fokhagymát 15 másodpercig melegítsen magas teljesítménnyel. Préselje össze az egyik végét, amíg a fokhagyma gerezd kipattan a héjából.
- **Gyümölcslé** – A citrusfélék több levet adnak, ha facsarás előtt 15 másodpercig magas teljesítménnyel melegítik.
- **Zabkása főzése** – A zabkása a szervírozó tányérban is elkészíthető és nem ragad le a lábos aljára. Kövesse a gyártó útmutatásait.

Tisztítás és ápolás

A sütőnek mindig tisztának kell lennie. Az ételmaradványok elnyelik a mikrohullámú energiát és eléghetnek. Ez csökkenti a sütő hatékonyságát és kellemetlen szagokat eredményezhet. Ne próbálja meg saját maga a sütő javítását, vagy beállítását. A meghibásodott készülék javítását, beleértve a csatlakozó vezeték cseréjét is, csak a jótállási jegyben megjelölt szerviz végezheti.

Ügyeljen arra, hogy bármilyen tisztítási munka előtt a mikrohullámú sütő le legyen választva az elektromos hálózatról!

Tartozékok tisztítása (forgótányér és támasz)

A sütőtérből történő eltávolításuk után mosogatószeres vízben tisztítsa meg a tartozékokat. A forgótányér támaszát óvatosan kell tisztítani.

A sütőtér és a forgótányér nagyon felforrósodhat, ezért a használat után ne érintse meg azonnal!

Belső tisztítás

A sütő oldalfalain, az ajtó tömítésén és az ajtó felületén visszamaradó szennyeződések elnyelik a mikrohullámú energiát, ezáltal csökkentik a sütő hatékonyságát, sőt károsíthatják a sütő belsejét is. A szennyeződés eltávolításához használjon kevés folyékony mosószert, meleg vizet és puha ruhát.

SOHA NE HASZNÁLJON MARÓ TISZTÍTÓSZERT, KERESKEDELMI SÜTŐ TISZTÍTÓT, VAGY FÉMSZÁLAS TISZTÍTÓ PÁRNÁT A MIKROHULLÁMÚ SÜTŐ EGYETLEN RÉSZÉNEK A TISZTÍTÁSÁHOZ SEM.

A makacs szennyeződések eltávolításához 2-3 percig forraljon egy csésze vizet a mikróban.

SOHA NE HASZNÁLJON KÉST, VAGY BÁRMILYEN MÁS ESZKÖZT A SZENNYEZŐDÉS SÜTŐFELÜLETRŐL TÖRTÉNŐ ELTÁVOLÍTÁSÁHOZ.

A sütőben lévő kellemetlen szagok eltávolításához a következőt ajánljuk: tegyen egy csésze vízbe 2 evőkanál citromlevet és azt 5 percig forralja a mikróban.

Külső tisztítás

A kezelőpanel tisztításakor nyissa ki az ajtót. Ezzel elkerülheti a véletlenszerű bekapcsolást. A külső felületeket enyhe mosogatószeres meleg vízzel tisztítsa meg egy puha ruha segítségével. A mosogatószeres ruhával való letörölés után tiszta vizes ruhával, majd száraz ruhával törölje át a felületeket. Ablaktisztító, vagy hasonló konyhai tisztító-spray is használható az ajtó ablakához. Soha ne használjon maró, karcoló vegyszert, mert károsíthatja a felületet. A károsodás elkerülése érdekében fokozottan ügyelni kell arra, hogy a szellőző nyílásokba víz semmilyen körülmények között ne juthasson be.

ÜZEMZAVAROK - PÓTALKATRÉSZEK

Ha a készülék működésében hibát észlel, akkor ellenőrizze az alábbiakban leírtakat, mielőtt a szervizhez fordul.

Ha a sütő nem indul el:

- Ellenőrizze, hogy a készüléket csatlakoztatta-e az elektromos hálózatra.
- Ellenőrizze, hogy megfelelően benyomta-e a csatlakozó dugót a konnektorba.
- Ha a csatlakozó dugóban lévő biztosítékkal van probléma, cseréltesse ki egy újra.
- Ellenőrizze, hogy van-e áram a fali csatlakozó aljzatban, vagy nem oldott-e le a lakás főbiztosítója.
- Ellenőrizze, hogy ugyanabban a több férőhelyes csatlakozó aljzatban nem üzemel-e más készülék, amely nagy teljesítményű.
- Ellenőrizze a lakás főbiztosítékát.

Ha a mikrohullám nem működik:

- Ellenőrizze a beállító gombokat, hogy helyes-e azok beállítása.
- Ellenőrizze, hogy a beállítást a használati útmutató leírása szerint végezte-e.
- Ellenőrizze, hogy megfelelően bezárta-e az ajtót. (ha ételmaradványok ragadnak az ajtó-sütőtér záródó felületére, akkor az is akadályozhatja a megfelelő záródást, ami a mikro működésképtelenségét eredményezheti.)

Ha a fenti ellenőrzések után sem megfelelő a készülék működése, akkor forduljon a jótállási jegyben kijelölt szervizhez.

Fontos! Ha hívja a szervizt, akkor a bejelentkezéskor az alábbi adatokat adja meg a szerviznek:

1. Az Ön nevét, címét, postai irányítószámát:
2. Az Ön telefonszámát:
3. A hiba pontos leírását:
4. A készülék modellszámát:
5. A készülék sorozatszámát:
6. A készülék vásárlásának dátumát:

Azért, hogy az azonosító adatok mindig kéznél legyenek, javasoljuk, hogy írja be azokat az alábbi sorokba:

Modellszám:

Sorozatszám:

Vásárlási dátum:

Ha a készülék még jótállási időn belül van, a fentiekben részletezett ellenőrzéseket el kell végezni, mielőtt hívja a szerviz szakemberét. Ha a szakember kihívására nem a készülék mechanikus, vagy elektromos hibája miatt kerül sor, akkor annak költsége a vásárlót terheli.

Pótalkatrészek

Pótalkatrész az Alkatrészellátástól szerezhető be.

Jótállás

A jótállási feltételeket és kötelezettségeket a készülékhez mellékelt jótállási jegy tartalmazza.

**Vevőszolgálat: 1142 Budapest, Erzsébet királyné út 87.
Forgalmazó: Electrolux Lehel Kft. Háztartási Készülékek
1142 Budapest, Erzsébet királyné út 87.**

Obsah

Dříve než začnete mikrovlnnou troubu používat	4
Bezpečnostní pokyny	4
- Bezpečnost nádobí	4
- Zkoušení vhodnosti kuchyňského nádobí	5
- Bezpečnost potravin	5
- Návod na použití nádobí a příslušenství trouby	6
Technické údaje	6
Příprava pro užívání	7
- Vybalení	7
Instalace	7
- Připojení na hlavní elektrický rozvod	7
- Elektrické připojení	7
Jak provozovat vaší mikrovlnnou troubu	8
- Popis a funkce jednotlivých dílů	8
- Instalace otočného talíře	8
- Ovládací panel	9
- Příprava pokrmů v mikrovlnné troubě	10
- Průvodce nastavování výkonu mikrovlnné trouby	10
- Návod na rozmrazování při výkonu 180W	11
- Rady pro použití mikrovlnné trouby	12
- Péče a čištění trouby	13
- Čištění příslušenství (otočný talíř a vozík)	13
- Čištění interiéru	13
- Čištění exteriéru	13
Servis a náhradní díly	14
Záruční podmínky	15
Záruka, servis a náhradní díly	16

Blahopřejeme vám k nákupu vaší nové mikrovlnné trouby

Děkujeme vám, že jste si vybrali produkt firmy Electrolux. Jsme přesvědčeni, že shledáte tuto novou mikrovlnnou troubu užitečnou a že vám bude výtečným pomocníkem. Bude to vyžadovat nějaký čas se naučit všechny funkce a možnosti vašeho nového kuchyňského pomocníka, stejně, jako jste na to zvyklí u každého nového kuchyňského spotřebiče.

Dříve než začnete mikrovlnnou troubu používat

Přečtěte si pečlivě celý návod k obsluze a ujistěte se, že při používání vaší nové mikrovlnné trouby Electrolux postupujete podle něj a dosáhli jste tak co nejlepších výsledků.

Je důležité, aby tato příručka byla uchovávána pro následující použití spolu se spotřebičem. V případě prodeje trouby jinému vlastníkovi nebo kdyby jste se někdy stěhovali, vždy se prosím ujistěte, že tato příručka je v blízkosti spotřebiče i na novém místě a aby i její nový vlastník se mohl s seznámit s jejím obsahem.

Bezpečnostní pokyny

- Vestavěné spínače bezpečnostního blokování zabraňují provozování mikrovlnné trouby, když jsou dvířka spotřebiče otevřena.
- Nemanipulujte s nimi a ani se nepokoušejte provozovat troubu s otevřenými dvířky. Provoz s otevřenými dvířky může mít za následek se vystavení záření mikrovlnné energie.
- Nedovolte, aby se na povrchu těsnění dveří nashromáždily zbytky pokrmů nebo čistícího prostředku. Viz část Péče a čištění, kde jsou pokyny pro údržbu uvedeny.
- Nedovolte používat poškozenou troubu do doby než je opravena kvalifikovaným servisním technikem.
- Je obzvláště důležité, aby se dvířka trouby dobře zavírala a nedošlo k poškození: (1) dvířek (pokroucení), (2) závěsů a zámků (poškození nebo nespolehlivost) (3) těsnění dveří nebo povrchu vlastního těsnění.
- V žádném případě se nepokoušejte troubu opravit svépomocí. Pokusy o opravu nezkušenými osobami mohou vést ke zranění osob nebo k vážnému poškození trouby. Vždy kontaktujte váš místní autorizovaný servis.
- Nikdy nesnímejte vnější kryt, dvířka nebo ovládací panel. Takové jednání vás může vystavit nebezpečí dotyku vysokého napětí.
- Instalujte resp. umístěte tuto troubu pouze v souladu s pokyny pro instalaci, uvedenými v této příručce.
- Tento spotřebič používejte pouze k účelům ke kterým je určen a jak je popsáno v této příručce. V mikrovlnné troubě nepoužívejte přípravky způsobující korozi. Tento typ trouby je speciálně určen pro ohřev, vaření a rozmrazování potravin. Není určen pro průmyslové, laboratorní nebo komerční použití. Každé takové použití by mělo za následek ztrátu záruky na tento spotřebič.
- Nepoužívejte troubu prázdnou. Jestliže není v troubě potravina nebo voda, která absorbuje vyzařované mikrovlnné záření, může se poškodit mikrovlnný zářič (magnetron).
- V případě, že trouba je používána dětmi, je nutné zajistit dohled dospělých.
- Neskladujte spotřebič ve venkovním prostředí. Nepoužívejte ho v blízkosti vody.
- Nepokoušejte se sušit v troubě prádlo nebo papír. Tyto materiály se mohou vznítit.
- Nepoužívejte vnitřní prostor trouby pro skladování. Nenechávejte výrobky z papíru, kuchyňské potřeby nebo potraviny v troubě, když ji nepoužíváte.

Bezpečnost nádobí

Většina výrobků ze skla, sklokeramiky a žáruvzdorného skla je pro použití v mikrovlnné troubě velice vhodná. Přestože mikrovlnná energie tyto výrobky neohřívá, mohou se ohřát přenosem tepla od v nich ohřátých potravin. Používejte proto pro vyjímání nádob rukavice, určené pro troubu.

Zkoušení vhodnosti kuchyňského nádobí

- Umístěte nádobí do mikrovlnné trouby spolu se sklenicí do poloviny naplněnou vodou. Ohřívejte ji po dobu 1 minuty při výkonu 800W (100%). Jestliže se vám nádobí zdá horké, neměli by jste je pro přípravu pokrmů v mikrovlnné troubě používat. Jestliže se vám zdá vlažné, můžete je používat pro opětovný ohřev, ale ne pro vaření. Má-li pokojovou teplotu, je vhodné pro použití v mikrovlnné troubě.
 - Velice vhodné pro použití jsou papírové ubrusy, voskový papír, papírové utěrky, kelímky, krabičky, tácky a kartóny zmrazených potravin. Vždy se přesvědčete, zda jsou plné potravin, aby mohly absorbovat energii a nedocházelo tak k přehřívání.
 - Také mnoho typů plastových talířků, tácků, šálků a krabic, spolu s plastovými obaly zmrazených potravin lze v mikrovlnné troubě používat. Vždy dbejte návodu výrobce, budete-li plast používat v troubě. Nepoužívejte plastové nádobí pro potraviny s vysokým obsahem tuku nebo cukru.
- Tento typ potravin se ohřeje na vysokou teplotu a plastové obaly by se mohly začít deformovat nebo tavit.
- Nikdy nenechávejte troubu bez dozoru, když v ní ohříváte nebo vaříte pokrmy uložené v papírových, plastových nebo jiných hořlavých materiálech. Když zpozorujete kouř unikající z trouby, tak ji neotvírejte, ale troubu vypněte a počkejte do doby než tvorba kouře ustane.
 - Kovové nádobí nebo nádobí s kovovými díly a ozdobami nesmí být v mikrovlnné troubě používáno, není-li výslovně určeno pro toto použití.
 - Obaly nebo zásobníky s pevnými uzávěry (např. lahve) nesmějí být v troubě používány pro vaření mikrovlnným zářením.
 - Buďte opatrní při snímání vík či poklopů nádob po tepelné přípravě pokrmu či nápoje, náhle uniklá pára by mohla způsobit opaření.

Bezpečnost potravin

- Nikdy neohřívejte v troubě potraviny v plechovkách. Vždy přendejte potraviny do vhodné nádoby.
 - Mikrovlnná trouba není vhodná pro smažení na tuku, protože nelze dobře kontrolovat teplotu oleje a tím by mohlo docházet k nebezpečným situacím.
 - Popcorn lze připravovat pouze v nádobí k tomu určenému nebo v originálním balení, které je výslovně určeno pro mikrovlnný ohřev. Přípravu popcornu mějte vždy pod dohledem.
 - Potraviny s pevnou slupkou, kůží propíchejte, aby jste tak zabránily roztržení způsobeným nahromaděnou párou pod povrchem. Jablka, brambory, kuřecí játra a vaječné žloutky jsou typické příklady potravin, které musí být propíchané.
- Upozornění:** Ohříváte-li v troubě kapaliny, jako např. polévky, omáčky a nápoje které se mohou ohřát nad teplotu varu bez typického projevu varu (bubláním). Jedná se o tzv. utajený var a ten se projevuje okamžitým prudkým varem. Aby jste zabránili tomuto efektu, postupujte dle tohoto návodu:
1. Nepoužívejte nádoby s ostrými vnitřními hranami a úzkými hrdly.
 2. Pokrmy nepřehřívejte.
 3. Zamíchejte kapalinu v nádobě, před jejím vložením do trouby. Opětovně ji zamíchejte v polovině doby plánované doby ohřevu.
 4. Po ohřátí ponechte nádobu s kapalinou chvíli v troubě "odpočinout", poté ji před opatrným vyjmutím z trouby opět zamíchejte.
- Některé potraviny, jako například celá vejce ve skořápce nebo uzavřené zavařovací sklenice mohou v troubě explodovat. Proto je nikdy v troubě neohřívejte. Někdy i ztracená vejce (vajíčka bez skořápky) mohou v troubě během přípravy explodovat. Proto vždy propíchněte žloutek, přiklopte víko a po přípravě jej nechejte ještě 1 minutu přiklopené.

Poznámka:

- Nepokoušejte se silou otáčet otočným talířem uvnitř trouby. Můžete tím způsobit její vážné poškození.
 - Jestliže při mikrovlnném ohřevu použijete kovové nádobí, tak se bude uvnitř trouby obvykle jiskřit. Zatavte probíhající ohřev a zkontrolujte nádobí. Budete-li pokračovat v přípravě pokrmu během jiskření, můžete troubu vážně poškodit.
 - Dbejte, aby nedocházelo k ucpání ventilačních otvorů, umístěných na horní, spodní, zadní a obou bočních stranách trouby.
- Nepoužívejte tuto troubu pro komerční účely.**
- Tato mikrovlnná trouba je vyrobena a určena pouze pro použití v domácnostech.**
- Dodržujte tento návod k použití.**

Návod na použití nádobí a příslušenství trouby

Ve vaší mikrovlnné troubě může být používána poměrně široká škála druhů nádobí vyrobených z různých materiálů. Abyste zabránili jak poškození použitých pomůcek a nádobí, tak i vlastní trouby, používejte pouze ty druhy, které jsou pro konkrétní způsob přípravy doporučené.

Seznam v tabulce byl připraven pro vaši orientaci.

Materiál	Nádobí	Mikrovlnné vaření
Keramika a sklo	tvrdé sklo	ANO
	žárovzdorné sklo	ANO
	sklo s kovovým dekorem	NE
	olovnatý křišťál	NE
Porcelán	bez kovového dekoru	ANO
Pálená hlína		ANO
Plasty	teplovzdorné pro mikrovlnné trouby	ANO
	plastové obaly	ANO
Kovy	pečicí pánve	NE
	hliníkové fólie*	ANO
Papír	šálky, talířky, ubrousky	ANO
	voskový papír	ANO
Dřevo		NE
Příslušenství	otočný talíř	ANO
	vozík talíře	ANO

ANO: Nádobí a příslušenství vhodné pro použití

NE: Nádobí a příslušenství nevhodné pro použití

- **Poznámka :** Hliníkovou fólii používejte pouze za účelem stínění mikrovlnného záření, nadbytečné množství alobalu může způsobit vznik elektrického oblouku.

Technické údaje

Celkové rozměry	Hmotnost: 14,4kg
šířka 485 mm	Objem: 21 litrů
hloubka 422 mm	
výška 287 mm	Napájení 230V, 50Hz
Rozměry vnitřního prostoru	Jištění 10A
šířka 335.8 mm	Příkon mikrovlnné trouby 1250W
hloubka 314 mm	
výška 206 mm	Výkon mikrovlnné trouby 800W

Příprava pro používání

Vybalení

Poznámka: Když troubu vybalíte, zkontrolujte, že není poškozená. Zjištěné vady nebo chybějící díly je třeba co nejdříve nahlásit vašemu prodejci. Trouba, součásti trouby a příslušenství mohou být zabaleny do ochranné fólie. Je-li tomu tak, je nutné ji před použitím trouby odstranit. Neponechávejte obalové materiály volně dostupné malým dětem, aby si s nimi mohli hrát. Mohlo by to být velice nebezpečné.

Instalace mikrovlnné trouby

1. Odstraňte z dvířek všechny reklamní samolepky.
2. Troubu instalujte na plochou vodorovnou plochu. Nosnost plochy musí být dostatečná, aby mohla unést celou hmotnost trouby (13,5kg) a i její obsah. Aby nedocházelo k rušivému chvění nebo nežádoucímu hluku, musí být trouba položena ve stabilní poloze.
3. Troubu instalujte v dostatečné vzdálenosti od tepla a vody. Vystavení trouby účinkům vody a tepla může snížit její účinnost a nebo zapříčinit vznik poruch. Proto se ujistěte, že trouba je instalována mimo zdroje vody a tepla.
4. Neblokujte větrací otvory nahoře a po stranách trouby a ani na ní nepokládejte žádné předměty. Nebudou-li větrací otvory během provozu volné, trouba se může přehřát a to může vést až ke vzniku závady. Během provozu trouby bude unikat z větracích otvorů horký vzduch, proto dbejte na to aby větrací otvory byly volné a aby se například záclona nedostala mezi zeď a zadní část trouby.
5. Troubu umístěte co nejdále od televizních a rádiových přijímačů. Přestože tato trouba vyhovuje požadavkům evropské normy EEC * o úrovni rádiového rušení, tak by přesto v případech umístění trouby příliš blízko k jmenovaným přijímačům mohlo docházet k rušivým interferencím (rušení televizního nebo rádiového signálu). Proto troubu umístěte co nejdále od nich.
6. Umístíte-li troubu do rohu, ponechteje mezi stěnou trouby a zdí minimálně 10 cm pro zaručení dobré ventilace.

Důležité! Tuto troubu můžete umístit prakticky kdekoli v kuchyni. Ujistěte se ale, že je trouba instalována na plochem a vodorovném povrchu a že větrací otvory trouby a prostor pod troubou je dostatečný a volný pro dobré odvětrávání.

* Tento spotřebič splňuje požadavky evropské normy EEC Předpis o rádiovém rušení 87/308/EEC.

Připojení na elektrický rozvod

Mikrovlnná trouba je dodána s kabelem a zástrčkou pro 230V, 50Hz pro zásuvku se zemnicím kolíkem. Ochrana zemněním minimalizuje nebezpečí vzniku zkratu. Před připojením se přesvědčete, že napětí v síti odpovídá hodnotě uvedené pro tento spotřebič.

Upozornění: Je-li nutné použít pro zapojení prodlužovací šňůru, přesvědčete se, že prodlužovací kabel je vybaven zemnicím vodičem.

Pozor! Tento spotřebič nesmí být používán v elektrické síti bez jištění zemněním.

Kontaktujte elektrikáře v případě, že si nejste jisti se zapojením nebo nevíte-li zda váš elektrický obvod je jištěn zemněním.

Tento spotřebič musí být uzemněn. Jestliže zástrčka vaší trouby neodpovídá zásuvce vašeho elektrického rozvodu, je třeba ji odříznout a nahradit ji vhodnou náhradní zástrčkou.

Elektrické připojení

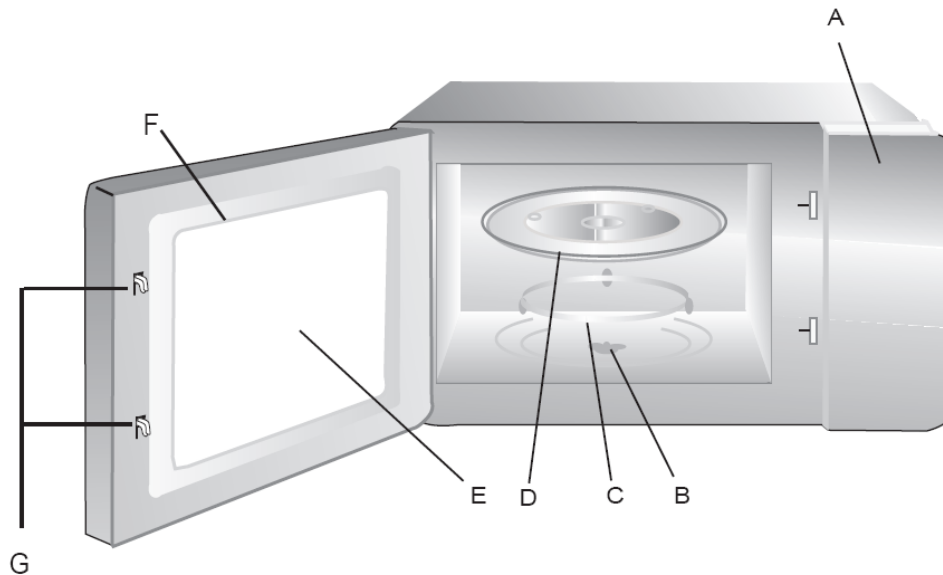
Tento spotřebič je standardně dodáván s dvoukolíkovou EURO zástrčkou.

Pozor! Tento spotřebič musí být uzemněn.

Výrobce odmítá jakoukoliv odpovědnost za nedodržení tohoto bezpečnostního předpisu.

- Je-li zástrčka, která byla dodána se spotřebičem, nevyhovující, musí být odříznuta a nahrazena jinou vhodnou.

Jak provozovat vaší mikrovlnou troubu



Popis a funkce jednotlivých dílů

- A. Ovládací panel
- B. Hnací hřídel otočného talíře
- C. Vozík otočného talíře. Položte ho na dno trouby, tak aby mohl nést otočný talíř
- D. Otočný talíř. Je vyroben ze speciálního žáruvzdorného skla. Pokrm ve vhodné nádobě pokládejte na tento talíř. Nepoužívejte troubu bez tohoto otočného talíře.
- E. Průhledné okénko, pomocí něhož je možné kontrolovat přípravu pokrmu
- F. Dvířka trouby, které při provozu trouby musí být vždy pevně uzavřeny
- G. Západky zámku a bezpečnostní blokovací systém

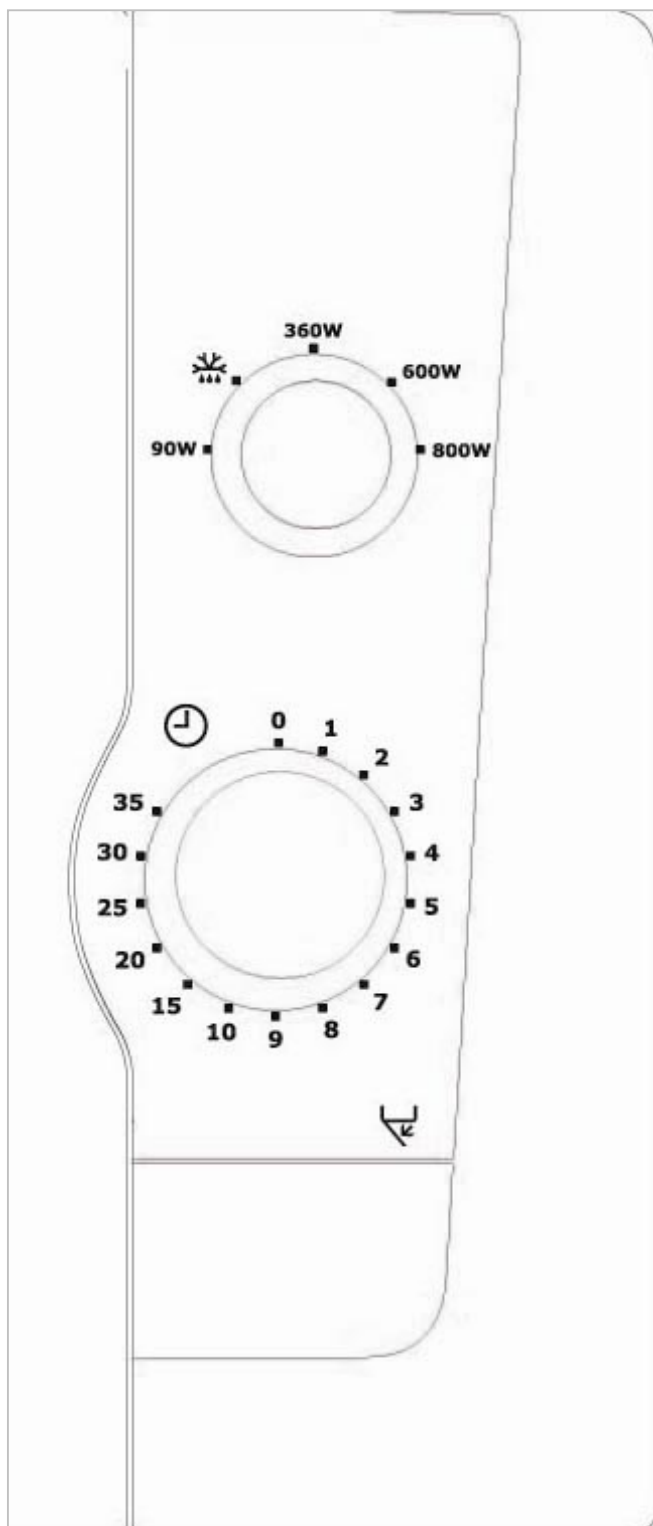
Instalace otočného talíře

1. Vložte vozík otočného talíře na dno vnitřního prostoru.
2. Položte otočný talíř navrch vozíku jak je naznačeno na obrázku. Ujistěte se, že středový výstupek bezpečně zapadl do hnací hřídele.

Nikdy nesmíte položit otočný talíř obráceně.

- Otočný talíř s vozíkem musí být vždy použitý během užívání trouby
- Veškeré potraviny a nádoby s potravinami musí být vždy položeny na tomto otočném talíři
- Otočný talíř se otáčí jak ve směru tak i proti směru hodinových ručiček a je to normální funkce tohoto zařízení.

Ovládací panel



1. Volič výkonu

Nastavte otočný ovladač na požadovanou hodnotu výkonu.

2. Časovač (minutka)

Nastavuje požadovaný čas. Zahajuje práci trouby.

Pro dosažení přesného nastavení času doporučujeme otočit minutku na plno a pak vrátit na požadovanou hodnotu.

Příprava pokrmů v mikrovlnné troubě

1. Otevřete dveře trouby, vložte pokrm na otočný talíř. Zavřete dveře trouby.
2. Nastavte volič výkonu na požadovanou hodnotu. (viz tabulka dole)
3. Na minutce nastavte požadovaný čas přípravy pokrmu.

Trouba začíná pracovat

Jestliže doba přípravy pokrmu je kratší než 2 minuty, natočte minutku na delší čas a pak ji vraťte na požadovanou hodnotu.

Jestliže chcete troubu vypnout, otočte minutku na nulu (0).

Poznámka: Po použití se ujistěte, že minutka je nastavená na nulu. V opačné, případě by dále pracovala.

Příklad: Vařit při výkonu 600W po dobu 15 minut

1. Otočte volič výkonu na 600W
 2. Minutku otočte na hodnotu 15.
 3. Trouba tak začne připravovat pokrm po dobu 15 minut a při výkonu 600W.
-

Průvodce nastavování výkonu mikrovlnné trouby

Nastavení výkonu	Doporučené použití
90W	Udržování horkého pokrmu
180W	Rozmrazování, roztavení zmrzlých pokrmů
360W	Udržování mírného varu: Dokončování pokrmů - například některé typy pečeně Dušení a pokrmy v rendlíku Svítky a jemné koláče (např. tvarohový)
600W	Střední: rychlejší rozmrznutí a opětovné ohřátí dušeného pokrmu nebo pokrmu v rendlíku Pečení dortů a piškotových těst
800W	Opětovné ohřátí: opětovné ohřátí předvařených pokrmů Pečení kousků masa a drůbeže Maximální výkon: vaření a ohřívání tekutin. Vaření zeleniny Předehřátí zapékací mísy

Návod na rozmrazování při výkonu 180W

Některé potraviny jako chléb a ovoce mohou být rozmrazeny manuálně pomocí tohoto návodu.

POTRAVINA	PŘÍPRAVA	180W	DOBA ODPOČINKU PO ROZMRAZENÍ
chléb a pečivo			
malý bochník	Položit na papírový ubrousek nebo na podložku vhodnou do mikrovlnné trouby. Otočit ho v půlce doby rozmrazování	8-10 min	10-15 min
nakrájený velký bochník	Položit ho na papírový ubrousek nebo na podložku vhodnou do mikrovlnné trouby. Otočit ho v půlce doby rozmrazování	10-13 min	10 min
2 krajíce	Položit je na papírový ubrousek.	45-60 sec	5 min
1 kus pečiva	Položit ho na papírový ubrousek.	45-60 sec	5 min
2 kusy pečiva	Položit je na papírový ubrousek.	1-1,5 min	5 min
koláče a cukrovinky			
krémový dort 450g	Vybalit z obalu, položit na talíř	9-11 min	15-30 min
jemný koláč 450g	Vybalit z obalu, položit na talíř	9-11 min	15-30 min
plněný koláč 450g	Vybalit z obalu, položit na talíř	7-9 min	15-30 min
máslové pečivo	Vybalit z obalu, položit na talíř	7-9 min	15-30 min
máslo			
250g / 1 balení	Vybalit z obalu, položit na talíř	3-4 min	5-10 min
ovoce			
225g měkké bobuloviny	Položit do jedné vrstvy do mělké misky	5-6 min	5-10 min
450g měkké bobuloviny	Položit do jedné vrstvy do mělké misky	7-8 min	5-10 min
porce pokrmu na talíři (400g)	Zakrýt poklopem nebo fólií (ne z PVC). Ohřát při 100% výkonu mikrovln (800W) po dobu 3-4 min	7-8 min	5-10 min
zelenina			
	Není nutné ji před vařením rozmrazovat. Veškerá zelenina může být rozmrazena a dále zpracovávána při 100% (800W) výkonu trouby		

Rady pro použití mikrovlnné trouby

- Vždy udržujte troubu v čistotě-zamezte přetékaní a vytékání tekutin přes okraj nádob. Nezapomeňte vždy vyčistit vnitřek trouby včetně otočného talíře.
- Při přípravě pokrmů v troubě přednostně používejte kulaté nebo oválné mísy s pokličkou.
- Nepoužívejte kovové nebo kovem zdobené mísy. Některé plastové materiály se mohou od teplých pokrmů tavit nebo deformovat.
- Při přípravě pokrmů zakrývejte. Používejte skleněné pokličky, talíře nebo nepromastitelný papír.
- Pečivo, chléb a podobné potraviny mohou být rozmrazovány přímo v košíku na chléb nebo v papírovém ubrousku.
- Jestliže zmrazené potraviny ohříváte v jejich obalu, měli byste obal otevřít. Obaly obsahující kov nebo kovové ozdoby, které nejsou výslovně doporučeny pro ohřev v mikrovlnné troubě, se nesmí v troubě používat. Odstraňte kovové sponky a úvazky.
- Menší kusy alobalu můžete použít na zakrytí částí, které se snadno přehřívají, jako např. kuřecí křídýlka.
- Potraviny se slupkou nebo kůží by se měli před přípravou propíchat vidličkou, jako např. brambory nebo párky ve střívku. Nikdy nevařte v mikrovlnné troubě celá vejce, mohla by explodovat.
- Velké, silné kusy dávejte k vnějšímu okraji nádoby a snažte se větší kusy porcovat na stejné velké kousky. Vždy umístějte nádoby do středu trouby.
- Potraviny se budou rovnoměrněji ohřívát, budete-li je během přípravy promíchávat nebo obracet.
- Vždy nastavte nižší dobu přípravy než je doporučeno, zabráníte tím převaření pokrmu. Čím jsou porce pokrmů větší, tím delší doba bude potřebná pro jejich přípravu.
- Na přípravu zeleniny nepoužívejte žádnou nebo minimální množství vody.
- Používejte menší množství koření a soli než pro "normální" vaření.
- Kořeňte pokrmy až po přípravě v troubě.
- Po přípravě v troubě ponechte pokrm několik minut "odpočinout", aby byla zajištěna úplná a rovnoměrná tepelná příprava.
- Vždy se ujistěte, že pokrmy před podáváním na stůl jsou řádně tepelně zpracovány.
- Při vyjímání nádobí a pokrmů z trouby používejte buď držáky k tomu určené nebo rukavice pro mikrovlnné trouby.

Tipy a Triky

- **Změknutí medu**
Máte-li med, který je již ve sklenici zcukernatělý, tak ze sklenice odstraňte víčko a vložte sklenici do trouby. Použijte střední hodnoty mikrovln po dobu 2 minut
- **Tavení čokolády**
Nalámejte 100g tabulku čokolády na čtverečky vsypte je do nádoby a zahřívajte při vysokém výkonu po dobu 1-2 minut za dobrého promíchávání
- **Rozpouštění nebo měknutí másla**
Rozpouštění zabere několik sekund při vysokém výkonu. Měknutí je lépe provádět při nižším výkonu po delší dobu.
- **Ohřátí nebo "oživení" staršího chleba**
Použijte střední hodnoty výkonu po dobu několika sekund
- **Jak jednoduše oloupat česnek**
Zahřívajte 3-4 stroužky česneku při vysokém výkonu po dobu 15 sekund. Stiskněte jeden konec, dokud se neodloupne slupka
- **Příprava ovocného džusu**
Citrusové plody vydají více šťávy, jestliže je před vymačkáním po dobu 15 sekund ohřejete při vysokém výkonu.
- **Vaření vločkové kaše**
Vločkovou kaši jednoduše připravíte bez nepříjemného lepivého zašpinění. Viz návod výrobce.

Péče a čištění trouby

Mikrovltná trouba musí být vždy čistá. Zbytky přeteklých pokrmů a rozstříknutých zbytků spotřebovávají mikrovltnou energii a ta může zapříčinit i jejich vznícení. Zároveň se tím snižuje účinnost trouby a dochází ke vzniku nepříjemných pachů. Nepokoušejte se manipulovat s žádným nastavovacím prvkem nebo provádět opravu jakékoli části trouby svépomocí. Opravy může provádět jen kvalifikovaný pracovník autorizovaného servisu.

Před čištěním se ujistěte, že trouba je odpojena od elektrické sítě.

Čištění příslušenství (otočný talíř a vozík)

Příslušenství vyndejte z trouby a venku je za pomoci jemného mycího prostředku vyčistěte. S vozíkem otočného talíře manipulujte velice opatrně.

Upozornění: Vnitřek trouby, otočný talíř a vozík talíře se ohřívají na vysokou teplotu. proto se jich bezprostředně po vypnutí trouby nedotýkejte.

Čištění interiéru

Vždycky udržujte vnitřek trouby v čistotě. Vyčistěte všechny skvrny po rozlitych pokrmech a odstraňte všechny zbytky pokrmů. Neodstraněné zbytky ulpěné na stěnách trouby, těsnění dveří a dveří pohlcují mikrovltné záření a tím snižují účinnost trouby. Mohou také zapříčinit poškození vnitřku trouby. K čištění používejte jemné tekuté mycí prostředky, horkou vodu a měkký, čistý hadřík.

Nikdy k čištění jakékoli části mikrovltné trouby nepoužívejte abrazivní mycí prostředky a ani komerční čističe trub nebo ocelovou drátěnku.

K uvolnění silně ulpěných nečistot nechejte v troubě po dobu 2-3 minuty vařit hrnek s vodou.

Nikdy se nepokoušejte k odstranění nánosů použít nůž nebo jiný kuchyňský nástroj.

Pro odstranění zápachu z vnitřního prostoru trouby nechejte vařit po dobu asi 5 minut hrnek s vodou, do které jste přidali 2 čajové lžičky citrónové šťávy.

Čištění exteriéru

Před čištěním ovládacího panelu otevřete dvířka trouby. Tím zabráníte tomu, aby nedošlo k nechtěnému zapnutí trouby. Vnější povrch trouby je třeba čistit vodou s neagresivním mycím prostředkem a poté přetřít pouze čistou vodou, aby se odstranil zbylý mycí prostředek. Nakonec troubu vytřete do sucha měkkým suchým hadříkem.

Můžete také použít sprejové čističe oken nebo univerzální kuchyňské čisticí prostředky. Nikdy nepoužívejte na mytí vnějších částí abrazivních mycích prostředků, drátěnek nebo agresivních chemikálií. Aby nedošlo k poškození pracovních částí trouby, nedovolte, aby se do větracích otvorů dostala voda.

Servis a náhradní díly

Jestliže spotřebič nefunguje správně, tak ještě před tím, než budete kontaktovat autorizovaný servis proveďte následující kontroly:

Jestliže se trouba nezapnula

- Zkontrolujte, zda je trouba připojena na elektrickou síť.
- Zkontrolujte, zda je zástrčka správně zasunutá.
- Zkontrolujte zda případný vypínač či jistič vedoucí k troubě je zapnutý.
- Zkontrolujte, zda je zásuvka funkční a to zapojením jiného spotřebiče do používané zásuvky.
- Zkontrolujte stav pojistky v domácím rozvodu.

Jestliže trouba nepracuje:

- Dětská pojistka může být aktivovaná (u některých modelů)
- Zkontrolujte, zda jsou voliče správně nastavené
- Zkontrolujte, že veškeré korekce a použité postupy odpovídají tomuto návodu k použití.
- Přesvědčete se, že dveře trouby jsou pevně zavřené. (Jestliže zbytky potravy nebo jiné díly překážejí správnému zavření dveří, tak trouba nepůjde zapnout)
- Zkontrolujte, zda byla nastavena požadovaná doba přípravy.

Jestliže ani po provedených kontrolách trouba nepracuje správně, kontaktujte nejbližší autorizovaný servis firmy Electrolux. Adresy jednotlivých servisů naleznete na dalších stránkách tohoto návodu.

Důležité:

Jestliže přivolaný technik zjistí, že porucha je způsobená nesprávnou instalací nebo používáním, tak vám náklady spojené s jeho návštěvou budou účtovány i v případě, že trouba je stále v záruční době.

Po zavolání do autorizovaného servisu budete dotazován na následující informace.

1. Vaše jméno, adresa a PSC
2. Vaše telefonní číslo
3. Přesný popis poruchy
4. Číslo modelu
5. Sériové číslo
6. Datum nákupu spotřebiče

Doporučujeme vám, abyste si do volných kolonek napsali příslušné informace pro případ potřeby:

Číslo modelu:

Sériové číslo:

Datum prodeje:

Jestliže je váš spotřebič stále v záruce, musíte se ujistit, že jste provedli veškeré kontroly (viz nahoře). V opačném případě vám budou naúčtovány náklady spojené s přivolaným servisním technikem.

Náhradní díly

Veškeré náhradní díly lze zakoupit prostřednictvím autorizovaných opravů.

Zákaznický servis

Veškeré informace týkající se vašeho spotřebiče značky Electrolux nebo informace o jiných spotřebičích firmy Electrolux získáte, když zatelefonujete nebo se písemně spojíte s našim zákaznickým servisem.

Záruční podmínky

Firma Electrolux nabízí tyto záruční podmínky tohoto spotřebiče:

1. Záruka je platná po dobu 24 měsíců, od doby kdy byl spotřebič prodán prvnímú zákazníkovi, což musí být potvrzeno dokladem o nákupu nebo podobným dokumentem. Záruka nepokrývá komerční užití tohoto spotřebiče.
2. Záruka je platná na všechny vady vzniklé chybnou výrobou nebo vadou materiálu. Záruka se nevztahuje na vady způsobené nesprávným používáním, hrubým zacházením, špatnou instalací, poškozením z vnějšku jiným objektem, špatnou údržbou, neautorizovanými modifikacemi nebo pokusy o opravu, komerčním používáním nebo nedodržením pravidel vyjmenovaných v příložené příručce. Záruka se dále nevztahuje na žárovky, vyjímatelné skleněné nebo plastické díly.
3. Prodejce musí neprodleně informovat nejbližší autorizované servisní centrum o požadavku na záruční opravu. Electrolux si vyhrazuje právo určit, kde se oprava provede (např. doma u zákazníka, v místě instalace nebo v servisní dílně).
4. Záruka se vztahuje na bezplatnou výměnu náhradních dílů a na potřebnou práci.
5. Opravy prováděné v době záruky neprodlužují celkovou dobu záruky na spotřebič. Díly vyměněné při opravě se stávají majetkem firmy Electrolux.
6. Práva zákazníka určena zákonem nejsou těmito záručními podmínkami zpochybněna

Záruka, servis a náhradní díly

Přečtěte si tento návod k obsluze a dodržujte v něm uvedené rady a pokyny. V mnoha případech si budete moci vyjasnit jakékoli pochybnosti sami a tudíž vyhnout se zbytečným voláním do servisu. Předchozí části nazvané "Co dělat, když ..." a "Servis" obsahují doporučení, co by se mělo zkontrolovat dříve, než zavoláte servisního technika.

Jestliže po těchto kontrolách závada stále existuje, zavolejte vaše nejbližší autorizované servisní středisko Electrolux.

Ujistěte se, že můžete sdělit model a seriové číslo spotřebiče. Tyto informace naleznete na datovém štítku přístroje.

Originální náhradní díly lze koupit od autorizovaných středisek servisu Electrolux.

Podmínky záruky

My, výrobce, zaručujeme, že jestliže během 24 měsíců od data zakoupení tohoto spotřebiče Electrolux se tento spotřebič nebo jakákoli jeho část ukážou jako vadné pouze z důvodu vadného zpracování nebo vadného materiálu, provedeme podle našeho uvážení buď opravu nebo výměnu téhož bez placení za práci, materiál nebo přepravu za předpokladu, že:

- spotřebič byl správně instalován a používán pouze na napětí uvedené na štítku jmenovitých hodnot
- spotřebič byl používán pouze pro normální domácí účely a v souladu s pokyny výrobce pro provoz a údržbu
- na spotřebiči neprováděla servis, údržbu ani opravu jiná než námi autorizovaná osoba, která spotřebič nerozebírala ani s ním jinak nemanipulovala
- všechny servisní práce podle této záruky musí provádět servis Electrolux nebo jím autorizované středisko
- každý vyměněný spotřebič nebo vyměněná vadná součást se stanou naším vlastnictvím
- tato záruka platí vedle vašich zákonných nebo jinak právně podložených práv
- rozhodující podmínky záruky jsou uvedeny na záručním listu

Výjimky - tato záruka se nevztahuje na:

- poškození nebo požadavky vzniklé v důsledku přepravy, nesprávného použití nebo nedbalosti, výměny žárovek a snímatelných částí ze skla nebo plastických hmot
- náklady spojené s požadavky na odstranění závad spotřebiče, který je nesprávně instalován
- spotřebiče, které jsou používány v komerčním prostředí včetně pronajímaných
- země Evropského společenství. Lze použít standardní záruku, ale zajištění, že spotřebič splňuje normy platné v příslušné zemi, kam byl spotřebič dopraven, je na zodpovědnosti a na náklady vlastníka. Může být vyžadován doklad o koupi.

Model

Číslo výrobku (E/PNC No.)

Seriové číslo (F/Serial. No.)

eventuelně KD / ...

V případě technických problémů vám bude i náš značkový servis kdykoliv k dispozici, volejte 2 6112 6112.
Adresy:

Servisní středisko Electrolux
Hanusova ulice
140 21 Praha 4
Tel.: 2 6112 6112

Bezpečnost

Přečtěte si tento návod a varovná upozornění na začátku tohoto návodu. Výrobce nezodpovídá za vady způsobené nesprávně používaným výrobkem nebo výrobkem používaným pro jiné účely než jsou účely specifikované v tomto návodu.

Čestitamo vam, da ste se odločili za nakup nove mikrovalovne pečice Electrolux.

Zahvaljujemo se vam za zaupanje, ki ste nam ga izkazali, ko ste izbrali naš proizvod. Prepričani smo, da boste hitro ugotovili, kako uporabna je vaša nova mikrovalovna pečica, in da vam bo v veliko pomoč. Kot pri vseh kuhinjskih aparatih bo tudi pri uporabi mikrovalovne pečice trajalo nekaj časa, da se boste seznanili z vsemi funkcijami in možnostmi uporabe, vendar pa smo prepričani, da vam bo sčasoma vaša mikrovalovna pečica postala nepogrešljiva.

Preden prvič uporabite svojo novo mikrovalovno pečico

natančno preberite vsa navodila za uporabo. Ta navodila smo pripravili z željo, da bi vam omogočili res optimalno in varno uporabo, zato vas prosimo, da jih pazljivo preberete. Knjižico z navodili imejte vedno pri roki, tako da boste lahko vsakič, ko boste v dvomih, poiskali ustrezno navodilo. Če boste svojo mikrovalovno pečico prodali, jo komu podarili ali jo ob selitvi pustili v starem stanovanju, poskrbite, da bo novi lastnik obenem s pečico dobil tudi navodila za uporabo in se bo lahko tako tudi sam seznanil z varno in optimalno uporabo.

Navodila za varno uporabo

- Vgrajena varnostna stikala preprečujejo delovanje mikrovalovne pečice, če so vrata odprta.
- Nikoli ne poskušajte spremeniti delovanje teh stikal, saj bi delovanje pečice pri odprtih vratih lahko povzročilo izpostavljanje oseb mikrovalovni energiji.
- Pazite, da se na tesnilu vrat ne bi nabrali ostanki hrane ali čistil; tesnilo redno čistite (glej poglavje o čiščenju in vzdrževanju mikrovalovne pečice).
- Če je mikrovalovna pečica pokvarjena, je ne smete uporabljati, ampak se takoj obrnite na pooblaščen servis.
- Izjemno pomembno je, da se vrata mikrovalovne pečice pravilno zapirajo in da niso poškodovani naslednji deli: (1) vrata (usločena); (2) tečajji vrat in zapahi (zlomljeni ali zrahljani); (3) tesnila vrat in tesnilne površine.
- Nikoli ne poskušajte sami popraviti pokvarjeno mikrovalovno pečico. Popravila, vzdrževalna dela in spreminjanje značilnosti pečice smejo opravljati samo za to usposobljeni strokovnjaki pooblaščenega servisa. Vsi posegi s strani nestrokovnih oseb pomenijo veliko tveganje za uporabnika mikrovalovne pečice.
- Nikoli ne smete sneti ohišja, vrat ali upravljalne plošče z mikrovalovne pečice. To bi lahko povzročilo izpostavljanje izjemno visoki napetosti.
- Mikrovalovno pečico smete inštalirati in postavite samo v skladu z navodili za inštalacijo, ki so podana v teh navodilih za uporabo.
- Mikrovalovno pečico uporabljajte samo v namene, ki so opisani v teh navodilih. V njej ne smete segreti korozivnih kemikalij. Ta tip mikrovalovne pečice je izključno namenjen segrevanju in kuhanju ter odtaljevanju zamrznjene hrane. Ta mikrovalovna pečica ni primerna za industrijsko uporabo ali uporabo v laboratorijih, ravno tako pa tudi ni namenjena komercialni uporabi. Pri taki uporabi mikrovalovne pečice vam garancije ne moremo priznati.
- Nikoli ne vklaplajte prazne mikrovalovne pečice. Če v njej ni hrane ali vode, ki bi absorbirali mikrovalovno energijo, lahko pride do poškodbe magnetrona.

- Če mikrovalovno pečico uporabljajo otroci, jih je pri tem treba skrbno nadzirati, pred tem pa se prepričajte, da so sposobni sami uporabljati mikrovalovno pečico in da razumejo nevarnosti, ki so lahko posledica nepravilne uporabe.
- Mikrovalovna pečica ne sme stati na prostem ali v bližini vode.
- Ne poskušajte v mikrovalovni pečici sušiti oblek ali časopisov; ti predmeti bi se lahko vneli.
- Ne uporabljajte mikrovalovne pečice za shranjevanje; nikakor ne smete v njej puščati predmetov iz papirja, kuhinjskih pripomočkov ali hrane.

Testiranje ustreznosti posode

- Postavite posodo v mikrovalovno pečico skupaj s kozarcem, polnim vode. Segrevajte mikrovalovno pečico eno minuto na 800 W (100%). Če se je posoda segrela, je ne uporabljajte mikrovalovni pečici. Če je le mlačna, jo lahko uporabljate za segrevanje jedi, ne pa za kuhanje. Če je posoda tudi po segrevanju sobne temperature, je primerna za kuhanje v mikrovalovni pečici.
- Papirnati prtiki, povoščeni papir, papirnate brisače, krožniki, skodelice, škatle, ovojni papir in lepenka so zelo praktični pripomočki za uporabo v mikrovalovni pečici. Vedno se prepričajte, da ste jih v pečico postavili polne hrane ali tekočine, saj ta absorbira energijo in je na ta način izključena možnost pregrevanja.
- Večina plastičnih posod, skodelic, škatel za shranjevanje v zamrzovalniku in plastičnih ovojev je primerna za uporabo v mikrovalovni pečici. Pri uporabi plastike upoštevajte navodila proizvajalca. Izogibajte se uporabi plastičnih posod za pripravo hrane, ki vsebuje veliko maščob ali sladkorja, ker dosežejo taka živila višjo temperaturo in bi se določena vrsta plastike lahko začela topiti.
- Ne puščajte vklopljene mikrovalovne pečice nenadzorovane; predvsem če

segrevate ali kuhate hrano v plastični ali papirnati posodi oz. taki, ki se lahko vname, večkrat preverite delovanje pečice. Če opazite dim, pustite vrata zaprta, izklopite mikrovalovno pečico ali potegnite vtikač iz vtičnice in počakajte, da se preneha kaditi.

- Kovinska posoda in posoda s kovinsko obrobo ni primerna za uporabo v mikrovalovni pečici, razen če proizvajalec izrecno tega ne dovoljuje.
- Posoda z ozkimi grli, kot so to n.pr. steklenice, za uporabo v mikrovalovni pečici ni primerna.
- Ko želite odkriti posodo, v kateri ste kuhali, pazite, da vas vroča para ne opeče.

Varnost pri pripravljanju živil

- Nikoli ne segrevajte hrane v konzervah; pred segrevanjem jo preložite v drugo posodo.
- Mikrovalovna pečica ni primerna za cvrenje hrane v maščobi; ker temperature maščobe ni mogoče nadzirati, bi lahko prišlo do poškodb uporabnika.
- Pokovko (pop-corn) smete pripravljati v mikrovalovni pečici le, če uporabite posebno, temu namenjeno posodo oz. posebne zavojčke pokovke, pripravljene za pripravo v mikrovalovni pečici. Med pripravo pokovke nadzirajte delovanje mikrovalovne pečice.
- Živila z neporozno lupino pred kuhanjem v mikrovalovni pečici večkrat prebodite; tako boste preprečili nabiranje pare pod lupino, zaradi česar bi n.pr. krompir počil. Taka živila so n.pr. jabolka, krompir, piščančja jetra in jajčni rumenjaki.

POZOR! Če v mikrovalovni pečici segrevate tekočine, n.pr. juhe, omake in pijače, se te lahko pregrejejo čez vrelišče, ne da bi se to pokazalo z nastajanjem mehurčkov. Zato lahko pride do nenadnega kipenja vroče tekočine. Da bi to preprečili, ukrepajte na naslednji način:

1. Izogibajte se uporabi posod z ravnimi stranicami in ozkim grlom.
2. Ne pregrevajte tekočin.

3. Preden vlijete tekočino v posodo, jo premešajte; ponovno jo premešajte na sredi kuhanja.
 4. Po segrevanju pustite tekočino še nekaj časa v mikrovalovni pečici in jo, še preden jo vzamete iz nje, še enkrat premešajte.
- Nekatera živila, kot n.pr. cela jajca in zaprte posode, n.pr. zaprti kozarci za vlaganje, lahko eksplodirajo in niso primerni za kuhanje ali segrevanje v mikrovalovni pečici. Občasno tudi zakrknjena jajca med kuhanjem eksplodirajo. Vedno pred kuhanjem prebodite rumenjaki in jajce pokrijte; pustite ga počivati eno minuto in šele nato dvignite pokrov.
 - Nikoli ne poskušajte na silo zavrteti nosilca za vrtljivo ploščo; lahko bi ga pokvarili.
- Iskrenje v mikrovalovni pečici med delovanjem je običajno posledica uporabe kovinskih predmetov. Pogosto iskrenje pa bi lahko pokvarilo mikrovalovno pečico, zato ustavite delovanje pečice in preverite, kaj ga povzroča.
 - Pazite, da ne zakrijete odprtih za zračenje, ki so na vrhu, zadaj, ob strani in na dnu mikrovalovne pečice.

To mikrovalovno pečico smete uporabljati samo v gospodinjske namene; za uporabo v komercialne namene ni primerna!

Ta navodila shranite!

Posoda in pripomočki, primerni za uporabo v mikrovalovni pečici

Pri kuhanju v mikrovalovni pečici lahko uporabite mnogo različnih materialov.

Zaradi vaše varnosti, pa tudi zato, da ne bi poškodovali posode v vaši mikrovalovni pečici, se pri izbiri posode ravnajte po spodnji tabeli.

Material	Posoda oz. pripomočki	Mikrovalovi
Keramika in steklo	Toplotnoodporno steklo	DA*
	Steklena posoda s kovinskimi obrobami ali okraski	NE
	Svinčeno (kristalno) steklo	NE
Porcelan	brez kovinskih okraskov	DA
Keramika**		DA
Plastika	Za uporabo v mikrovalovni pečici primerna, toplotnoodporna plastika	DA
	Plastične vrečke	DA
Kovina	Kovinski pekači	NE
	Aluminijasta folija***	DA
Papir	Skodelice, krožniki, brisače	DA
Les		NE
Dodatna oprema	Rešetka za pripravo jedi na žaru	NE
	Vrtljiva plošča	DA
	Nosilec vrtljive plošče	DA

DA: za uporabo primerna posoda

NE: posoda, ki ni primerna

*Samo posoda brez kovinske obrobe

**Samo če glazura ne vsebuje kovinskih snovi

***Aluminijasto folijo uporabljajte samo v manjših količinah; večje količine bi povzročile iskrenje.

Tehnični podatki

Mere	Teža 14.4 kg
Širina 485 mm	Prostornina 21 litrov
Globina 422 mm	Priključna napetost 230 V, 50 Hz
Višina 287 mm	Varovalka 10 A
	Poraba energije
Notranjost pečice	Mikrovalovi 1250 W
Širina 335.8 mm	
Globina 314 mm	Moč
Višina 206 mm	Mikrovalovi 800 W

Navodila za namestitev in priklop

Odstranjevanje embalaže

Ko odstranite embalažo, se najprej prepričajte, da je vaša nova mikrovalovna pečica nepoškodovana. V nasprotnem primeru se takoj obrnite na prodajalca. Deli pečice bodo morda zaščiteni s folijo; to morate pred prvo uporabo pečice odstraniti. Pazite, da kosi embalaže ne pridejo v roke majhnim otrokom!

Namestitev

1. Snemite nalepke z vrat.
2. Postavite pečico na ravno, gladko površino, ki prenese težo pečice (13.5 kg) in vsebine. Da preprečite morebitne vibracije in glasnost delovanja, mora biti mikrovalovna pečica stabilna.
3. Pečica naj ne bo izpostavljena vlagi in vročini, saj bi se poškodovala.
4. Odprtine na vrhu in ob straneh pečice morajo ostati proste, zato ne odlagajte ničesar na mikrovalovno pečico. Če so odprtine zakrite, lahko pride do pregrevanja in do okvare pečice. Iz odprtih uhaja vroč zrak, zato pazite, da se ne opečete. Za pečico ne obešajte zaves.
5. Pečica naj bo čim dlje od radijskih ali TV sprejemnikov, da ne bi povzročala motenj. Ta mikrovalovna pečica je izdelana skladno s predpisi EEC o odpravljanju radijskih motenj, vendar pa obstaja možnost določenih motenj, če je pečica postavljena preblizu radijskega ali televizijskega sprejemnika.
6. Če postavite pečico v kot, mora biti od desnega zida odmaknjena vsaj 10 cm!

Pozor! Mikrovalovno pečico lahko postavite kamorkoli v kuhinji. Paziti pa morate, da jo postavite na ravno, površino in da so odprtine za zračenje proste, prav tako pa mora biti omogočeno tudi kroženje zraka pod pečico.

Aparat je izdelan skladno s predpisi EEC št. 87/308 z dne 2.6.87 o preprečevanju radijskih motenj.

Priključitev na električno omrežje

Mikrovalovna pečica mora biti ozemljena! Proizvajalec ne prevzema odgovornosti za škodo ali poškodbe zaradi neupoštevanja teh navodil.

Pečica je dobavljena s priključnim električnim kablom in vtikačem za omrežje z napetostjo 230 V, 50 Hz. Ozemljitev zmanjšuje tveganje v primeru kratkega stika.

Če niste prepričani, če je vaše hišno omrežje ustrezno oziroma če je poskrbljeno za ozemljitev, se posvetujte s strokovnjakom.

Če vtikač, s katerim je pečica dobavljena, ni ustrezen za vašo vtičnico, ga je potrebno zamenjati z ustreznim. Iz vtikača, ki ste ga odrezali s priključnega električnega kabla, odstranite varovalko in ga nato zavržite, da preprečite morebitno nezgodo.

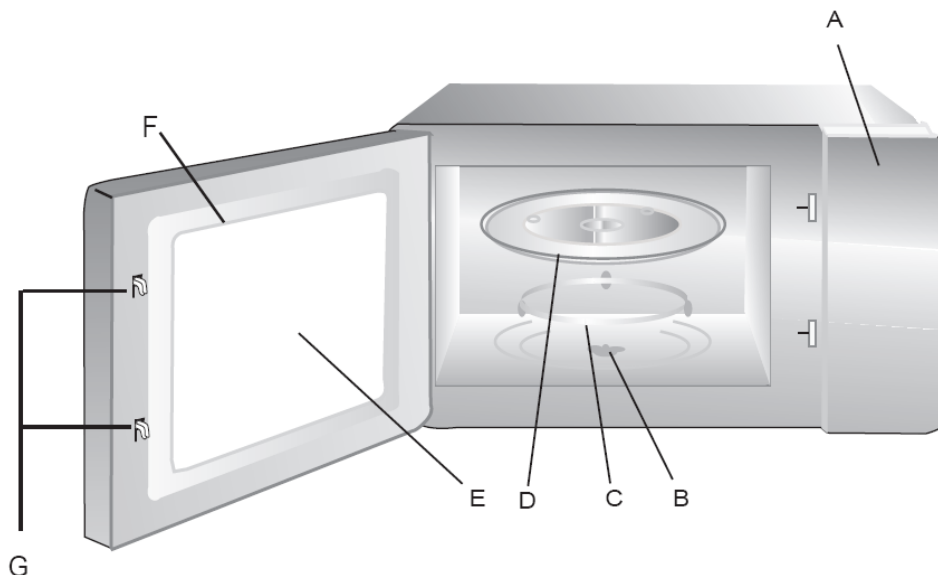
Če na vtikaču manjka pokrovček nad varovalko, takega vtikača ne smete priključiti na električno omrežje, ampak morate najprej namestiti nov pokrovček.

Če uporabljate podaljšek, mora biti ta ozemljen!

Aparat mora biti ozemljena! Proizvajalec ne prevzema odgovornosti za škodo ali poškodbe zaradi neupoštevanja teh navodil.

- Če priloženi vtikač ne ustreza vašim vtičnicam, naj ga zamenja za to usposobljena oseba.
- Iz odrezanega vtikača odstranite varovalko in ga zavržite, da preprečite morebitno nezgodo.

Opis mikrovalovne pečice



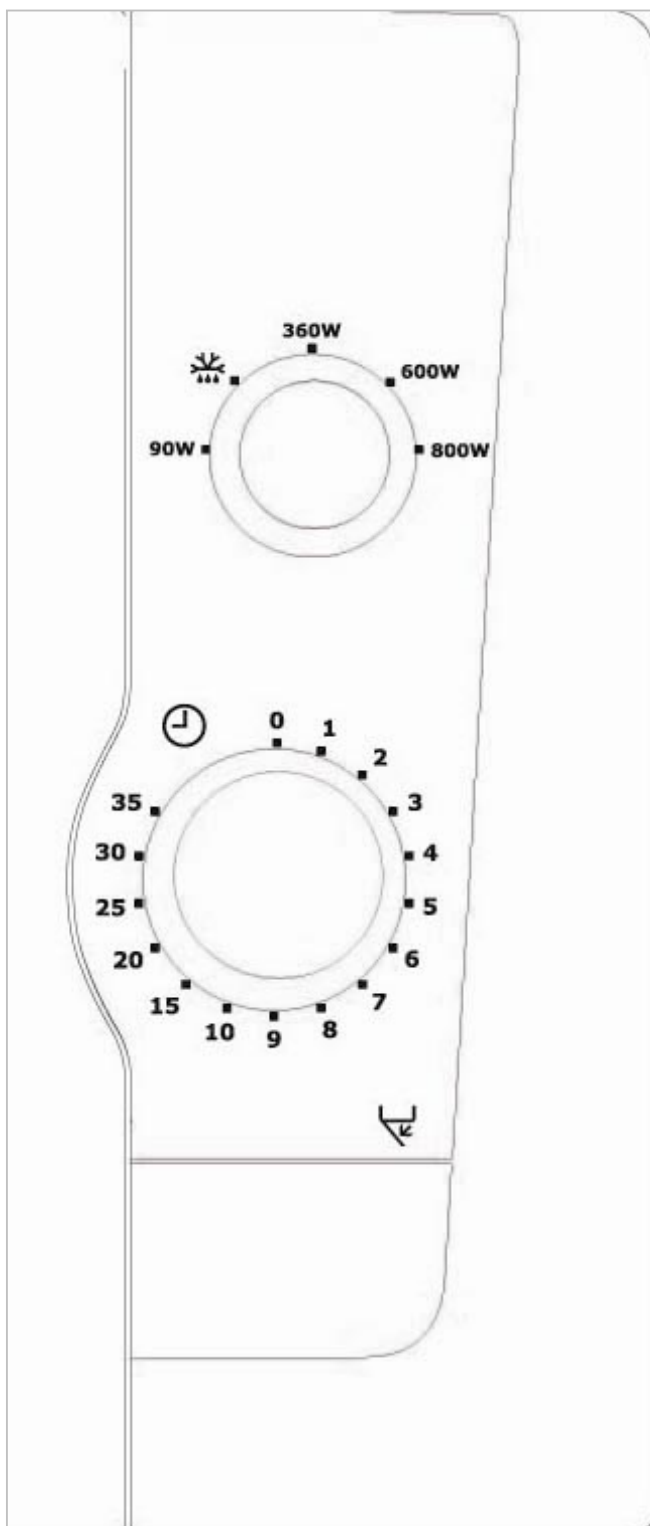
- A. Upravljalna plošča.
- B. Pogonska os vrtljive plošče
- C. Nosilec vrtljive plošče. Postavite ga na dno prostora za kuhanje.
- D. Vrtljiva plošča iz posebnega, na vročino odpornega stekla. Nanjo postavite jed v ustrezni posodi. Ne uporabljajte mikrovalovne pečice brez vrtljive plošče!
- E. Okno, skozi katerega lahko nadzorujete kuhanje med delovanjem pečice.
- F. Vrata pečice. Med kuhanjem morajo biti vedno dobro zaprta.
- G. Kaveljčki zapaha in varnostni sistem zapiranja.

Vrtljiva plošča in nosilec

Namestite ju, kot kaže skica. Pazite, da je vrtljiva plošča pravilno postavljena na nosilec. Nikoli ne obračajte vrtljive plošče s spodnjo stranjo navzgor! Vrtljiva plošča se vrti na levo ali na desno.

Za pripravljanje jedi na žaru je priložena tudi rešetka, ki jo postavite na sredino vrtljive plošče.

Upravljalna plošča



Gumb za nastavljanje moči mikrovalov in izbiranje funkcij
Za nastavljanje ustrezne moči mikrovalov

Gumb programske ure
Za nastavljanje trajanja kuhanja; mikrovalovna pečica začne delovati. Vse programske ure so bolj natančne, če gumb najprej zavrtite naprej od želenega časa in nato nazaj na želeno vrednost.

Kuhanje z mikrovalovi

1. Odprite vrata in postavite jed na vrtljivo ploščo. Zaprite vrata.
2. S pomočjo gumba za nastavljanje moči mikrovalov nastavite ustrezno moč (gl. spodnjo razpredelnico).
3. Nastavite potreben čas z obračanjem gumba za nastavljanje časa..

večjo vrednost in nato nazaj na ustrezno vrednost.

Če želite pečico izklopiti med kuhanjem, preprosto obrnite gumb programske ure na 0..

Opomba: Po uporabi obrnite gumb programske ure nazaj na 0, sicer bo pečica še naprej delovala.

Pečica začne delovati.

Če želite nastaviti krajši čas kuhanja od 2 minut, gumb programske ure obrnite naprej na

Opomba: S pritiskom na tipko Micro+ povečate moč mikrovalov z 90W na 800W.

Primer: **Kuhanje 20 minut pri moči mikrovalov 600 W**

1. Gumb za nastavljanje moči mikrovalov obrnite na 600 W.
2. Gumb za nastavljanje časa obrnite na 20.
3. Pečica začne delovati; delovala bo 20 minut pri moči 600 W.

Segrevanje ohlajenih gotovih jedi

- Upoštevajte navodila proizvajalca, vendar pa se vedno prepričajte, če je jed res dobro segreti. Če ne, čas segrevanja podaljšajte – podobno kot v običajni pečici.
- Jed občasno premešajte, predvsem pri segrevanju enolončnic, omak...
- Čas počivanja je zelo pomemben; ta čas je del procesa kuhanja in omogoča, da se temperatura enakomerno razporedi.

Ustrezne nastavitve moči mikrovalov

Moč mikrovalov	Primerno za:
90 W	Ohranjanje toplote
180 W	Odtaljevanje zamrznjenih živil
360 W	Počasno segrevanje, dokuhavanje enolončnic, segrevanje sirovega kolača ipd.
600 W	Srednja moč – hitrejše odtaljevanje in segrevanje enolončnic, golaža Srednja moč; segrevanje gotovih jedi, pečenje določenih peciv in kuhanje pudingov, pečenje mesa, perutnine...
800 W	Največja moč; segrevanje tekočin do vrelišča, kuhanje zelenjave Segrevanje posode za hrustljivo zapečene jedi.

Odtaljevanje zamrznjenih živil s funkcijo 180 W

Živilo	Priprava	Čas (minute) 180 W	Čas počivanja (minute)
Kruh			
Štručka	Položite na krožnik ali papir. Na polovici predvidenega časa obrnite.	8 – 10	10 – 15
Narezana štruca	Položite na krožnik ali papir. Na polovici predvidenega časa obrnite.	10 – 13	10
2 rezini	Položite na krožnik ali papir.	45 – 60 sekund	5
1 rogljič	Položite na krožnik ali papir.	45 – 60 sekund	5
2 rogljiča	Položite na krožnik ali papir.	1 – 1 ½	5
Pecivo			
Kolač 450 g	Odstranite embalažo, postavite na krožnik	9 – 11	15 – 30
Sirov kolač 450 g	Odstranite embalažo, postavite na krožnik	9 – 11	15 – 30
Pita (s kuhanim nadevom) 450 g	Odstranite embalažo, postavite na krožnik	7 – 9	15 – 30
Piškoti 450 g	Odstranite embalažo, postavite na krožnik	7 – 9	15 – 30
Maslo 250 g	Odstranite folijo, postavite na krožnik.	3 – 4	5 – 10
Sadje			
Jagodičje 225 g	Eno plast razgrnite na plitek krožnik.	5 – 6	5 – 10
Jagodičje 450 g	Eno plast razgrnite na plitek krožnik.	7 – 8	5 – 10
Gotove jedi 400 g	Na krožniku pokrijte z drugim krožnikom ali PVC folijo. Če želite jed tudi segreti, jo 3-4 minute segrevajte pri 800 W.	7 – 8	5 – 10
Zelenjava	Odtaljevanje pred kuhanjem ni potrebno. Vso zelenjavo odtajate in skuhate pri 100-% moči (800 W).		

Praktični nasveti

- Pečico redno čistite. Vsakič obrišite tekočino, ki se vam je morda polila; ne pozabite očistiti tudi pod stekleno ploščo in notranjo stran vrat.
 - Če je le mogoče, pri kuhanju v mikrovalovni pečici uporabljajte okrogle ali ovalne posode s pokrovom.
 - Nikoli ne uporabljajte kovinskih posod ali posod s kovinskimi okraski ali obrobami. Tudi nekatere vrste plastike za uporabo v mikrovalovni pečici niso primerne, saj se lahko zaradi vroče hrane, ki se v njih segreva, stalijo.
 - Med kuhanjem naj bo hrana pokrita. Uporabljajte steklene pokrove, krožnike ali povoščeni papir.
 - Pecivo, kruh in podobna živila lahko postavite v mikrovalovno kar v košarici za kruh ali na papirnati brisači.
 - Če zamrznjena živila tajate kar v vrečki, v kateri so bila zamrznjena, morate to prej odvezati ali odpreti. Živila, ki so bila zamrznjena v posodah, smete v isti embalaži odtaljevati v mikrovalovni pečici, če je embalaža primerna za uporabo v mikrovalovni pečici. Odstraniti pa morate vse kovinske sponke ali žičke.
 - Manjše kose aluminijaste folije uporabite, da zaščitite tanjše dele oziroma dele, ki bi se zlahka prekuhali, n.pr. piščančja krilca.
 - Živila z lupino ali kožo pred kuhanjem prebodite z vilico, n.pr. krompir ali klobase. Jajc v lupini ne smete kuhati v mikrovalovni pečici, ker bi lahko eksplodirala.
 - Velike, debele kose položite k robu posode; živila razrežite na kar najbolj enakomerno debele kose.
 - Hrana bo bolj enakomerno kuhana, če jo boste med kuhanjem večkrat premešali.
 - Vedno nastavite nekoliko krajši čas kuhanja, kot ga priporoča recept. Tako se vam hrana ne bo prekuhala. Večje količine hrane se kuhajo dlje časa!
 - Zelenjavo kuhajte v zelo majhni količini vode ali brez nje.
 - Uporabljajte manj soli in začimb kot pri običajnem kuhanju. Začimbe boste dodali pozneje, če bo to potrebno.
 - Ko izklopite pečico, pustite hrano nekaj časa počivati; tako bodo rezultati boljši.
 - Preden postrežete z jedmi se vedno prepričajte, da so se dovolj segrele.
 - Uporabljajte zaščitne kuhinjske rokavice, ko jemljete hrano iz mikrovalovne pečice.
- Taljenje medu**
Med, ki je kristaliziral, v odprtem kozarcu postavite v mikrovalovno pečico. Segrevajte ga 2 minuti pri srednji moči mikrovalov.
- Taljenje čokolade**
100 g čokolade na koščke nalomite v posodo. Segrevajte jo 1 do 2 minuti pri največji moči mikrovalov in dobro premešajte.
- Mehčanje ali taljenje masla**
Pri največji moči mikrovalov se maslo v nekaj sekundah stali. Če ga želite samo omehčati, izberite nižjo moč mikrovalov.
- Segrevanje kruha**
Kruh od prejšnjega dne nekaj sekund segrevajte pri srednji moči.
- Enostavno lupljenje česna**
3 do 4 stroke česna 15 sekund segrevajte pri največji moči. Nato na enem koncu stisnite strok – česen bo skočil iz lupine.
- Sadni sok**
Iz agrumov boste iztisnili več soka, če jih najprej za 15 minut postavite v mikrovalovno pečico pri največji moči.
- Pripravljanje instant hrane**
Upoštevajte navodila proizvajalcev!

Čiščenje in vzdrževanje

Pečica naj bo vedno čista. Ostanki hrane, ki bi ostali v mikrovalovni pečici, bi privlačili mikrovalovno energijo in se sežgali. Tako bi se lahko učinkovitost pečice zmanjšala, pojavil bi se pa tudi neprijeten vonj. Nikoli ne poskušajte sami spreminjati značilnosti pečice ali jo sami popravljati. To prepustite strokovnjakom s pooblaščenega servisa.

Prepričajte se, da je mikrovalovna pečica izklopljena iz električnega omrežja, preden jo začnete čistiti.

Čiščenje opreme

Dele v notranjosti poberte iz mikrovalovne pečice in jih operite z blagim čistilom. Z nosilcem vrtljive plošče ravnajte še posebno previdno.

Notranjost pečice in vrtljivi pladenj se med kuhanjem zelo segrejeta; po uporabi mikrovalovne pečice najprej počakajte, da se notranjost popolnoma ohladi.

Čiščenje notranjosti

Pečica naj bo vedno čista. Takoj po uporabi jo obrišite in očistite. Ostanki hrane na stenah, vratih in tesnilu vrat absorbirajo, mikrovalovno energijo, zmanjšujejo učinkovitost pečice in v določenih primerih poškodujejo notranjost.

Za čiščenje uporabljajte blaga tekoča čistila, toplo vodo in mehko, čisto krpo. Nikoli ne uporabljajte abrazivnih čistil, čistil za električne pečice ali blazinic jeklene volne.

Trdovratne madeže boste lažje očistili, če prej v mikrovalovni 2 do 3 minute segrevate kozarec vode. Pri čiščenju si ne smete nikoli pomagati z ostrimi, koničastimi predmeti!

Če se v pečici razvije neprijeten vonj, segrevajte v njej 5 minut kozarec vode z dvema žlicama limoninega soka.

Čiščenje zunanosti

Ko čistite upravljalno ploščo, naj bodo vrata pečice odprta. Tako je ne boste mogli nehote vklopiti.

Zunanost pečice čistite z blagim tekočim detergentom in vodo, nato pa jo do čistega obrišite s čisto vodo in do suhega obrišite z mehko krpo.

Pri čiščenju lahko uporabite tudi čistila za okna ali večnamenska čistila za razprševanje. Nikoli pa ne smete uporabljati abrazivnih čistil in pripomočkov. Pri čiščenju pazite, da voda ne prodre v odprtine za zračenje, ker bi se tako pečica poškodovala.

Nepravilnosti v delovanju in servisiranje

Če mikrovalovna pečica ne deluje, najprej poskušajte sami odpraviti nepravilnost po spodnjih navodilih, šele nato se obrnite na pooblaščen servis.

Če mikrovalovna pečica ne deluje pravilno:

- Prepričajte se, da so vtikač, vtičnica in varovalka brezhibni; po potrebi zamenjajte varovalko.
- Prepričajte se, da je omrežje pod tokom - v vtičnico vklopite drugi električni aparat.
- Če varovalka večkrat pregori, pokličite ustrezno usposobljenega električarja.

Če mikrovalovna pečica ne deluje v načinu za mikrovalove:

- Morda je nastavljena varnostna funkcija (nekateri modeli).
- Morda niste izbrali pravih nastavitev.
- Morda niso zaprta vrata. Če vrata niso zaprta, mikrovalovna pečica ne deluje.
- Morda ostanki hrane ovirajo zapiranje vrat.

Če vam ne uspe odpraviti nepravilnosti v delovanju, se obrnite na pooblaščen servis. Zahtevajte uporabo originalnih rezervnih delov.

Rezervni deli so vam na voljo pri pooblaščenih servisih za proizvode Electrolux. Ko se obrnete na pooblaščen servis, prosimo, da navedete vaše ime in naslov, natančen opis nepravilnosti, model in serijsko številko proizvoda (navedeni na tablici s podatki) ter datum nakupa..

Pridržujemo si pravico to tehničnih sprememb brez predhodnega obvestila. Pridržujemo si pravico do tiskarskih napak.

Ürünümüzü seçtiğiniz için teşekkür ederiz

Yeni ürününüzden memnun kalmanızı dileriz ve umarız ileride bir beyaz eşya alırken yine bizim markamızı tercih edersiniz. Lütfen bu kullanma kılavuzunu dikkatlice okuyunuz ve ürünü kullandığınız sürece bunun bir referans belge olarak saklayınız. Kullanma kılavuzu, cihazın ileride başka birine devredilmesi halinde yeni sahibine verilmelidir.

İçindekiler

Önemli güvenlik talimatları _____	3	Mikrodalga hakkında pratik bilgiler_____	12
İlk kullanımdan önce _____	6	Mikrodalga için püf noktaları_____	12
Teknik Bilgiler _____	7	Bakım ve temizlik _____	13
Cihazın Özellikleri ve Çalıştırılması_____	8	Montaj _____	14
Kontrol Paneli _____	9	Çevre ile ilgili bilgiler _____	14
Mikrodalga ile Pişirme_____	10	GARANTİ ŞARTLARI _____	15
Buz çözme seçeneğinin kullanımı		AVRUPA GARANTİSİ _____	17
İçin tavsiyeler _____	11		

EEE Yönetmeliğine Uygundur

Önemli güvenlik talimatları

Genel güvenlik

DİKKATLE OKUYUNUZ VE İLERİDE BAŞVURMAK ÜZERE SAKLAYINIZ

- Dahili güvenlik kilidi düğmeleri fırının kapakaçık iken çalışmasını önler.
- Bunları kurcalamayınız veya kapak açıkken fırını çalıştırmayı denemeyiniz, kapak açık-ken çalıştırma mikrodalga enerjisine maruz kalmanıza neden olabilir.
- Dökülen yemek artıklarının veya temizlik ürünü kalıntılarının kapak contası yüzeyleri üzerinde kalmasına izin vermeyiniz. Temizlik talimatları için Temizlik ve Bakım bölümüne bakınız.
- Fırın kapağının düzgün kapanması ve şuak samların hasar görmemesi özellikle önemlidir: (1) kapak (deforme), (2) menteşeler ve kilit mandalları (bozuk veya emniyetsiz), (3) kapak contaları ve contayüzeyleri.

UYARI

UYARI: Eğer kapak, menteşeler/kilit mandalları veya kapak contaları hasarlı ise mikrodalga fırın, yetkili servis personeli tarafından onarılmadan çalıştırılmamalıdır.

UYARI

UYARI: Fabrikada eğitilmiş teknik servis personeli haricindeki kişilerin bu fırın üzerindeki teknik işlem veya ayarlamalar yapması tehlikelidir. Servis işlemleri için en yakın yetkili teknik servis ile temasa geçiniz.

- Asla dış kasayı, kapağı veya kontrol panelini çikarmayınız. Aksi halde çok yüksek gerilime maruz kalabilirsiniz.
- Bu fırını sadece bu kılavuzda bulunan "kuru-lum talimatları" bölümünde belirtildiği şekilde monte ediniz veya yerleştiriniz.
- Cihazı, bu kılavuzda açıklanan tasarlanma amacı doğrultusunda kullanınız. Bu cihazda aşındırıcı kimyasallar kullanmayınız. Bu fırın tipi, özellikle yiyecek ısıtma, pişirme veya buz çözme işlemleri için tasarlanmıştır. Endüstriyel veya laboratuvar kullanım için yada ticari kullanım için tasarlanmamıştır, butür kullanımlar garantiyi geçersiz kılar.
- Fırını boşken çalıştırmayınız. Fırını içerisinde mikrodalga enerjisini emecek yiyecek veya su bulunmadığı takdirde, mag-netron tüpü hasar görebilir.
- Bu cihazı dış mekanlarda muhafaza etmeyiniz. Bu ürünü suya yakın yerde kullanmayınız.
- Mikrodalga fırın içerisinde giysi veya gazete kurutmayınız. Bu tür eşyalar tutuşabilirler.
- Fırının iç kısmını malzeme saklama amacıyla kullanmayınız. Kullanımda değilken fırının iç kısmında kağıt ürünleri, pişirme kapları veya yiyecek bırakmayınız.
- Cihaz çalışırken temas edilebilir yüzeyler çok sıcak olabilir.

UYARI

UYARI: Duman görüldüğü takdirde, cihazı kapatınız veya fişten çekiniz ve alevlerin sönmeye için kapağı kapalı tutunuz. Asla su kullanmayınız.

UYARI

UYARI: Çocukların veya sakatların yeterlitalimatları aldıklarından ve böylece güvenli kul-lanabileceklerinden ve gerektiği şekilde kullan-mamanın yol açacağı hasarları anladıklarındanemin olduktan sonra, cihazı denetiminzdışında kullanmalarına izin veriniz.

- Döner tepsiyi elinizle döndürerek zorlama-yınız. Arızaya yol açabilir.
- Bu cihaz, harici zamanlayıcı veya farklıuzaktan kumanda kontrol sistemi ile çalıştı-rılacak şekilde tasarlanmamıştır.
- Fırının üst kısmında, arkasında, yan taraflarında ve tabanında bulunanhavalandırma deliklerinin tıkanmamasınaözen gösteriniz.

UYARI

UYARI:Bu fırını ticari amaçlar için kullanmayı-nız. Bu fırın sadece ev-içi kullanım için tasar-lanmıştır.

Kap emniyeti

Sadece mikrodalga fırında kullanım için uygunkapları kullanınız.

Mikrodalğanın çalışması esnasında oluşan kı-vılcımlar genellikle metal kapların kullanılma-sından kaynaklanır. Bununla birlikte, süreklilikivılcımlanma cihaza hasar verebilir. Programıdurdurunuz ve kabı kontrol ediniz. Cam, seramik ve ısıya dayanıklı cam kaplarkenellikle mikrodalga fırın için çok uygundur.Mikrodalga enerji, cam ve seramik malzeme-lerin çoğunu ısıtmamasına rağmen, bu kaplaryiyecekten kaba ısı transferi nedeniyle ısınabi-lirler. Tabakları çıkarmak için fırın eldivenlerininkullanılması önerilir.

Pişirme kabının uygunluğunun test edilmesi

Pişirme kabını yarıya kadar su ile doldurulmuşbir bardakla birlikte mikrodalga fırın içerisineyerleştiriniz. Bir dakika süreyle 900W gücündeısıtınız. Eğer kap sıcaksa bu kabı kullanmayı-nız. Eğer ılık ise yeniden ısıtma amaçlı kulla-nabilirsiniz, ancak pişirme için kullanmayınız.Eğer tabak oda sıcaklığında ise, mikrodalga ilepişirme için uygundur. Kağıt bezler, mumlu kağıtlar, kağıt havlular, ta-baklar ve fincanlar, kartonlar, dondurucu sarmakağıtları ve mukavvalar çok uygun kaplardır.Enerjinin emilebilmesi bakımından, kaplarınıyiecekle dolu olduğundan emin olunuz,böylece aşırı ısınma ve tutuşma olasılığındankaçınmış olursunuz.

Çoğu plastik tabaklar, fincanlar, derindondurucu kapları ve plastik sarmamalzemeleri mikrodalga fırında kullanılabilir.

Fırında plastik maddeler kullanırken imalatçı-nın talimatlarına uyunuz. Plastik kaplara yağ veşeker içeriği yüksek yiyecekler koymaktan ka-çınınız, çünkü bu tür yiyecekler yüksek sıcaklıklara ulaşabileceklerinden bazıplastikleri eritebilir.

Fırını denetimsiz bırakmayınız ve plastik, kağıtveya diğer yanıcı kaplarla ısıtma veya pişirmeyaparken zaman zaman kontrol ediniz.

Özellikle önerilmedikçe mikrodalga fırında me-tal aksesuarlı kaplar kullanılmamalıdır.

Mikrodalga ile pişirme yaparken şişeler gibi darağızlı kaplar kullanılmamalıdır.

Buhar yanıklarından kaçınmak için, kabın ka-pağını kaldırırken dikkatli olunuz.

Folyo kaplar

Aşağıdaki kurallara uyulması koşuluyla, derin olmayan folyo kaplar yiyecekleri yeniden ısıt-mak için kullanılabilir:

- Folyo kapların derinliği 3 cm'den (1 1/4") fazla olmamalıdır.
- Folyo kapaklar kullanılmamalıdır.
- Folyo kaplar en az üçte-iki oranında yiyeceklerle doldurulmuş olmalıdır. Kaplar asla boş kullanılmamalıdır.
- Mikrodalga fırın içerisinde her defasında tek bir folyo kap kullanılmalı ve kenarlar değmeyecek şekilde konumlandırılmalıdır. Fırınınızda döner metal tepsi veya pişirmerafı varsa, folyo kap ters çevrilmiş, ısıyadayanıklı bir tabağın üzerine yerleştirilmelidir.
- Folyo kaplar mikrodalga fırında asla tekrar kullanılmamalıdır.
- Mikrodalga fırın 15 dakika veya daha uzun süredir kullanımda ise, tekrar kullanmadan önce soğumasını bekleyiniz.
- Kullanım esnasında kap ve döner tepsi sıcak olabilir, her ikisini de çıkarırken çok dikkatli olunuz. Bunu yaparken bir fırın bezi veya eldiveni kullanmanız önerilir.
- Alüminyum folyo kap kullanıldığında yeni-den ısıtma süresi normal süreden daha uzun olabilir, servis yapmadan önce yiyeceğindumanı üstünde olduğundan daima emin olunuz.

Yiyecek güvenliği

- Mikrodalga fırın içerisinde konserve kutudayı ısıtmayınız. Yiyeceği daima uygun bir kaba koyunuz.
- Yağ sıcaklığı kontrol edilemeyeceğinden, mikrodalga fırın içerisinde ağır yağlı kızartmalar yapmayınız, aksi halde tehlikeli durumlar oluşabilir.
- Mikrodalga fırında patlamış mısır yapılabilir ancak sadece bu amaç için özel olarak tasarlanmış paketler veya kaplar kullanılmalıdır. Bu pişirme işlemi asla denetimsiz bırakılmamalıdır.
- Buhar oluşmasına neden olmalarını vepişirme esnasında yanmalarını önlemek için içi geçirimsiz yüzeyli veya zarlı yiyeceklerin üzerini deliniz. Elmalar, patatesler, tavuk kanatları ve yumurta sarıları delinmesi gereken yiyeceklere örnek teşkil ederler.
- Yanmayı önlemek bakımından biberonlar ve bebek maması kavanozları karıştırılmı veya çalkalanmamalıdır ve tüketilmeden önce sıcaklıkları kontrol edilmelidir.

UYARI

UYARI: Sıvılar ve diğer yiyecekler sıkıca kapatılmış kaplarda ısıtılmamalıdır çünkü patlayabilirler.

UYARI

UYARI: Yiyeceklerin mikrodalga ile ısıtılmaları gecikmiş sonradan püskürmelerine neden olabilir, bu nedenle kabı tutarken dikkatli olunmalıdır.

UYARI

UYARI: Mikrodalga fırınınızda çorbalar, soslar ve içecekler gibi sıvıları ısıtırken, sıvı bariz bir fıkdama yapmaksızın kaynama noktasının üzerinde aşırı ısınabilir. Bu durum sıcak sıvının aniden taşmasına yol açabilir. Bu olasılığın önüne geçmek için, aşağıdaki önlemleri alın:

1. Düz kenarlı ve ağız dar kapları kullanmaktan kaçınınız.
2. Aşırı ısıtmayınız.
3. Kapağı fırına koymadan önce ve ısıtma işlemi süresinin ortasında sıvıyı karıştırın.
4. Isıttıktan sonra bir süre fırında bırakın ve çıkarmadan önce dikkatlice tekrar karıştırın.

UYARI

UYARI: Tüm yumurta gibi bazı ürünler ve sıkıca kapatılmış kaplar (örneğin kapalı cam kava-nozlar) patlayabilirler ve bu fırında ısıtılmamalıdır. Bazı durumlarda, su içerisine kırılarak pişirilen yumurtalar da pişirme sırasında patlayabilir. Her zaman yumurta sarısını deliniz, üzerini kapatınız ve kapağını açmadan önce birkaç dakika bekletiniz.

ÖNEMLİ

Pişirme işlemi esnasında, kapak etrafında buhar yayılımı veya kapak üzerinde buğulanması, hatta kapağın alt kısmında su damla-cıklarının oluşması normaldir. Bu durum, yemeğin ısıtılmasından dolayı oluşuyor ve kaynağından kaynaklanır ve fırınınızın güvenliğini etkilemez. Kapak, fırının iç kısmını tıkmamak için tasarlanmamıştır.

İlk kullanımdan önce**Ambalajdan çıkartma**

- Ambalajdan çıkardıktan sonra fırının hasarlı olup olmadığını kontrol ediniz. Hasarlar veya eksiik parçalar satıcıya derhal bildirilmelidir.
- Fırın, fırının parçaları veya aksesuarları koruma kağıdı ile sarılmış olabilirler. Böyle bir durumda, fırını kullanmadan önce bu ambalaj malzemelerini çıkarmanız gereklidir.
- Ambalaj malzemelerini küçük çocukların erişebileceği yerlerde bırakmayınız. Tehlikeli olabilirler.

Fırın kapları ve aksesuarları kılavuzu

Pişirme işlemi için çeşitli kaplar ve materyaller mikrodalga fırınınızda kullanılabilir. Güvenliğiniz için ve kaplara ve fırına zarar vermemek bakımından, pişirme yöntemlerinin herbirine uygun kaplar ve materyaller kullanınız. Aşağıdaki liste bir genel kılavuzdur.

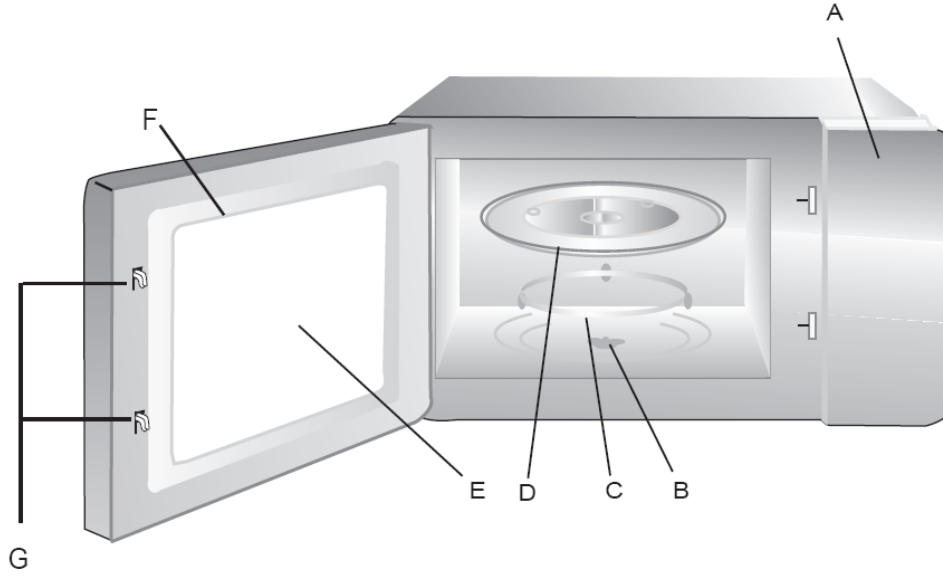
- ✓ : Kullanılacak kaplar ve aksesuarlar
- ✗ : Kaçınılması gereken kaplar ve aksesuarlar

Materyal	Kaplar	Mikrodalga
Seramik & Cam	Mısır patlatma kabı	✓ ¹⁾
	Isıya dayanıklı cam kaplar	✓
	Metal dekorasyonlu cam kaplar	✗
	Kurşun kristal bardak	✗
Porselen	Metal dekorasyonu olmayan	✓
Toprak kaplar ²⁾		✓
Plastik	Mikrodalga fırın ısısına dayanıklı kaplar	✓
	Plastik sarma/ambalaj malzemeleri	✓
Metal	Fırın tepsi	✗
	Alüminyum folyo ³⁾	✓
Kağıt	Fincanlar, tabaklar, havlular	✓
	Mumlu kağıt	✓
Ahşap		✗

- 1) Sadece eğer metal işlemesi yoksa.
- 2) Sadece eğer metal kaplaması yoksa
- 3) Alüminyum folyoyu sadece örtmek amacıyla kullanınız, fazla kullanımı kısıtlıdır.

Teknik Bilgiler	Ağırlık 14.4 kg
Ölçüler	
Genişlik 485 mm	Hacim 21 Litre
Derinlik 422 mm	
Yükseklik 287 mm	Güç kaynağı 230V, 50 Hz
Fırın boşluğu	Sigorta 10 A
Genişlik 335.8 mm	
Derinlik 314 mm	Güç tüketimi Mikrodalga 1250W
Yükseklik 206 mm	
	Güç çıkışıç 800W

Cihazın Özellikleri ve Çalıştırılması



Parçaların Fonksiyonları

- A. Kontrol Paneli
- B. Döner tabla için motor aksi
- C. Dönertabla desteği. Dönertablayı desteklemek için pişirme bölmesinin zemini üzerine yerleştiriniz.
- D. Döner tabla. Özel ısıya dayanıklı camdan yapılmıştır. Dönertabla olmada fırını kullanmayınız.
- E. Fırının içini gösteren pencere. Mikrodalga fırın çalışırken besinin durumu gözlemlenebilir.
- F. Fırın kapağı. Pişirme işlemi esnasında kapı daima sıkıca kapalı olmalıdır.
- G. Kapı mandalı ve kapının iyice kapanmasını sağlayan kilit yuva sistemi

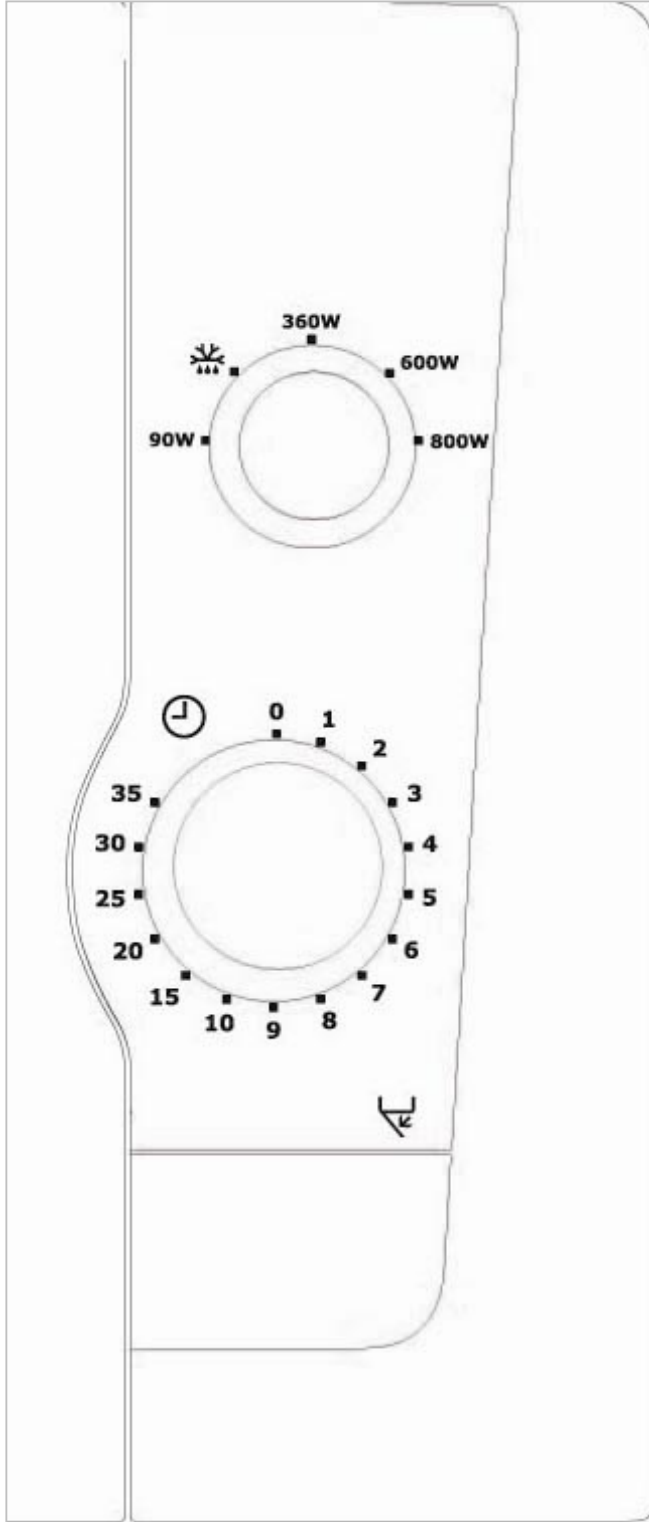
Dönertablanın Montajı

1. Dönertabla desteğini fırın kabının altına yerleştirin.
2. Dönertablayı aşağıdaki gibi dönertabla desteğinin üstüne yerleştirin. Dönertabla göbeğinin dönertabla şaftına emniyetli şekilde kilitlendiğinden emin olunuz.

Asla dönertablayı ters yönde yerleştirmeyiniz.

- Hem dönertabla hem de desteği pişirme esnasında daima kullanılmalıdır.
- Tüm yiyecekler ve yiyecek kapları pişirme için dönertablanın üzerine yerleştirilmelidir.
- Döner tabla çalışması esnasında saat dönüş yönünde veya aksi yönde de dönebilir.

Kontrol Paneli



1.Güç seçici

Yiyeceğiniz için doğru güç seviyesini seçmek için bu düğmeyi ayarlayınız.

2.Zamanlayıcı

Arzu edilen pişirme süresni ayarlayın. Pişirme işlemi başlayacaktır. Tüm mekanik zamanlayıcılar ayarladığınız süreden başlayarak geriye doğru zamanı sayar.

Mikrodalga ile Pişirme

1. Kapağı açın, yemeği dönertabla üzerine koyun. Kapağı kapatın.
2. İstenilen güç seviyesine gelene dek "Power Selector" düğmesini çevirin. (Aşağıdaki tabloya bakınız).
3. Zamanlayıcı ile istediğiniz pişirme süresini ayarlayın.
(Fırın pişirmeye başlayacaktır).

Pişirme süresi 2 dk.dan daha az ise daha uzun bir süre için zamanlayıcıyı döndürün ve sonrada arzu edilen süreye geri getirin.

Fırın çalışırken kapatmak isterseniz, yapmanız gereken Zamanlayıcıyı 0'a getirmektir.

Not: Kullanımdan sonra Zamanlayıcıyı 0'a getirdiğinizden veya fırının çalışmasına devam etmediğinden emin olun.

Örnek: 600 W güçte 15 dakika pişirme.

1. Güç seçicisini 600 W'a çevirin.
2. Zamanlayıcıyı 15'e çevirin.
3. Fırın 600 Watt'ta 15 dakika süresince kendiliğinden pişirmeyey başlayacaktır.

Mikrodalga Güç Ayarları

Güç Ayarı	Önerilen Kullanım
90W	Sıcak Tutma: Yiyecekleri sıcak tutar
180W	Defrost: Donmuş yiyeceklerin buzunu çözer
360W	Yavaşça Kaynatma: Güveçte yapılan bazı kızartma, güveç ve yahnileri tamamlayıcı pişirme Fırında muhallebi veya peynirli kek
600W	Orta: Güveç ve Yahnilerin hızlı defrost(buz çözme) ve tekrar ısıtma işlemlerinde Orta: Fırında muhallebi ve süngerimsi pudingler
800W	Tekrar Isıtma: Güveç ve yahnilerin tekrar ısıtılmasında Pişmiş yiyeceklerin ısıtılmasında Kırmızı ve beyaz et kavurmada Maksimum Güç: Sıvıların kaynatılmasında veya tekrar ısıtılmasında. Sebze yemekleri yapmada. Kızartma tabağının ön ısıtılmasında.

180W Buz çözdürme seçeneğinin kullanımı için tavsiyeler

Ekmek ve meyve gibi bazı donmuş yiyecekler, güç ayarı kullanılarak manuel şekilde kolayca çözdürülebilir.

Yiyecek	Hazırlık	Defrost Süresi 180W	Bekleme süresi
Ekmek			
Ufak Dilim	Mikrodalgaya dayanıklı raf üzerine veya mutfak kağıdı üzerine yerleştirin. Buz çözme süresinin ortasında yarısını çeviriniz.	8–10 dak.	10–15 dak.
Büyük dilim	Mikrodalgaya dayanıklı raf üzerine veya mutfak kağıdı üzerine yerleştirin. Buz çözme süresinin ortasında yarısını çeviriniz.	10–13 dak.	10 dak.
2 Ekmek dilimi	Mutfak kağıdı üzerine yerleştiriniz.	45–60 sn.	5 dak.
1 Yufka ekmek	Mutfak kağıdı üzerine yerleştiriniz.	45–60 sn.	5 dak.
2 Yufka ekmek	Mutfak kağıdı üzerine yerleştiriniz.	1–1 ^{1/2} dak.	5 dak.
Kek ve Pastalar			
Kremalı Pasta 450g	Paketinden çıkarınız, tabağa koyunuz.	9–11 dak.	15–30 dak.
Peynirli Kek 450g	Paketinden çıkarınız, tabağa koyunuz.	9–11 dak.	15–30 dak.
Turta (Pişmiş) 450g	Paketinden çıkarınız, tabağa koyunuz.	7– 9 dak.	15–30 dak.
Hamur işleri 450g	Paketinden çıkarınız, tabağa koyunuz.	7– 9 dak.	15–30 dak.
Tereyağı			
250g (1 paket)	Kağıda sarılmış ise, kağıdını çıkarınız ve tabağa koyunuz	3– 4 dak.	5–10 dak.
Meyve			
225g Yumu-şak yemiş türü meyveler	Sığ bir tabağa tek bir kat oluşturacak şekilde yerleştiriniz.	5– 6 dak.	5–10 dak.
450g Yumu-şak yemiş türü meyveler	Sığ bir tabağa tek bir kat oluşturacak şekilde yerleştiriniz.	7– 8 dak.	5–10 dak.
Tabakta Yemek			
400g	Üzerini bir tabakla veya P.V.C. olmayan bir streç film ile örtünüz. Yeniden ısıtmak için, mikrodalgada 800W gücünde ısıtınız	7– 8 dak.	5–10 dak.
Sebzeler			
	Sebzelerin pişirilmeden önce çözdürülmeleri gerekmez. Seb-zelerin tümü 800W gücünde çözdürülebilir ve pişirilebilir.		

Mikrodalga hakkında pratik bilgiler

- Fırını her zaman temiz tutunuz - yemeklerintaşıp dökülmesinden kaçınınız ve cam tep-sinin altını ve kapağın iç kısmını temizlemeyi unutmayınız.
- Mikrodalga fırında pişirme yaparken, mümkünse kapaklı yuvarlak veya oval gü-veç kapları kullanınız.
- Metal veya metal dekorasyonlu güveçkapları kullanmayınız. Bazı plastik materyal-ler eriyebilir ve yemek sıcaklığından dolayı deforme olabilir.
- Pişirme esnasında yiyeceğin üzerini örtü-nüz. Cam bir kapak, tabak veya yağ geçir-mez kağıt kullanınız.
- Hamur işleri, ekmek ve benzeri yiyecekler, direk olarak bir ekmek sepeti içerisinde veya bir kağıt havlu üzerinde çözdürülebilirler.
- Eğer dondurulmuş yiyecek ambalajıyla birlikte çözdürülecekse ambalajı açılmalıdır. Metal içeren veya metal dekorasyonlu am-balajlar, mikrodalga ile kullanım için özellikle önerilmediğçe kullanılmamalıdır. Metal tutma öğelerini ve tel bağları çıkarınız.
- Tavuk butları gibi çabuk pişen kısımları örtmek için küçük alüminyum folyo parçaları kullanılabilir.
- Kabuğu veya derisi olan patates ve sosis gibi yiyeceklerin üzerleri bir çatala delinmelidir. Mikrodalga fırın içerisinde yumurta kaynat-mayınız, aksi halde patlayabilirler.
- Büyük, kalın parçaları güveç kenarlarının yakınına koyunuz ve yiyeceği mümkün olduğunca eşit parçalar halinde kesmeye çalışınız. Yiyeceği daima fırının ortasına yerleştiriniz.
- Bir kaç kez karıştırdığınız veya çevirdiğiniz takdirde yiyecek eşit şekilde pişecektir.
- Aşırı pişmesini önlemek için, daima elinizdeki tarifte belirtilen pişirme süresinden daha kısa bir pişirme süresi ayarlayınız. Yiyecek miktarı arttıkça pişirme süresi de uzar.
- Sebzeler için az miktarda su kullanınız ya da kullanmayınız.
- 'Normal' pişirmede kullanılandan daha az tuz ve baharat kullanınız.
- Sonradan çeşnilendiriniz.
- Tam ve eşit pişirme sonuçları almak için, fırındurduktan sonra yiyeceği fırında bir kaç dakika bekletiniz.

- Servis yapmadan önce, yiyeceğin buharının üstünde olduğundan daima emin olunuz.
- Tabakları ve yiyeceği fırından çıkarırken tutacak veya eldiven kullanınız.

Mikrodalga için püf noktaları

- **Bal Yumuşatma**
Eğer bal kavanozunuzdaki balkristalleşmişse, kapağını çıkarınız ve kavanozu fırına koyunuz, mikrodalgada 2 dakika orta güçte ısıtınız.
- **Çikolata Eritme**
100 gram çikolatayı kareler halinde kırınız, bir kaseye koyunuz ve yüksek güçte 1-2 dakika ısıtınız, sonra iyice karıştırınız.
- **Tereyağı Yumuşatma veya Eritme**
Eritme işlemi yüksek güç seviyesinde bir kaç saniye sürer. Yumuşatma işlemi düşük güç seviyesinde daha iyi ve hassas gerçekleşir.
- **Ekmek Tazeleştirme veya Isıtma**
Bir kaç saniye orta güçte ısıtınız.
- **Kolay Sarımsak Soyma**
3 veya 4 diş sarımsağı yüksek güç seviyesinde 15 saniye ısıtınız. Sarımsak dişariya çıkana kadar bir uçtan bastırınız.
- **Meyve Suyu**
Sıkılmadan önce yüksek güç seviyesinde 15 saniye ısıtıldıkları takdirde turuncgiller daha fazla nektar verirler.
- **Lapa Pişirme**
Lapalar, yapışmış tencere yıkama sorunu olmaksızın servis tabaklarında kolaylıkla pişirilebilir. Yiyecek üreticisinin tavsiyelerine uyunuz.

Bakım ve temizlik

Fırın daima temiz olmalıdır.

Taşma ve sıçramalardan kaynaklanan yiyecek artıkları mikrodalga enerjisini çekerler ve nihayetinde yanarlar. Bu durum, fırının inverterini düşürebilir ve kötü kokulara yol açabilir.

Fırının hiç bir yerini kurcalamayınız ve yada düzeltme ya da tamir etmeye çalışmayınız.

Tamir işlemleri sadece kalifiye servis teknisyenleri tarafından yapılmalıdır.

Temizlemeden önce fırının elektrik bağlantısının kesildiğinden emin olunuz.

Aksesuarların temizlenmesi

Fırından çıkardıktan sonra aksesuarları hassas bir deterjanla temizleyiniz.

Döner tepsi desteği dikkatlice tutulmalıdır.

DİKKAT

DİKKAT: Fırının iç kısmı ve döner tepsi kullanım sırasında çok ısınır, kullanımın hemen sonrasında dokunmayınız.

İç kısmın temizliği

Fırının iç kısmını daima temiz tutunuz.

Taşma ve sıçrama artıklarını hemen temizleyiniz.

Fırının duvarlarında, kapak contaları üzerinde ve kapak yüzeyinde birikmesine izin verilen artıklar mikrodalga enerjisi emerler, fırının inverterini düşürür ve fırının iç kısmında hasarlanabilirler.

Artıkları temizlemek için hassas sıvı deterjan, ılık su ve yumuşak temiz bir bez kullanınız.

UYARI

FIRININ HİÇBİR YERİNDE ASLA AŞINDIRICI TEMİZLEYİCİLER, TİCARİ FIRIN TEMİZLEYİCİLERİ VEYA ÇELİK-YÜN PEDLER KULLANMAYINIZ.

Temizlenmesi zor artıkları yumuşatmak için, 1 fincan suyu fırında 2 veya 3 dakika ısıtınız.

UYARI

FIRIN YÜZEYLERİNDEKİ ARTIKLARI TEMİZLEMEK İÇİN ASLA BIÇAK VEYA BENZER BİR MALZEME KULLANMAYINIZ.

Fırın içerisindeki kötü kokuları gidermek için, bir fincan suya eklenmiş iki yemek kaşığı limonsuyunu 5 dakika ısıtınız.

Dış kısmın temizlenmesi

Kontrol panelini temizlerken fırın kapağını açınız. Böylece, fırının kazara çalışması önlenmiştir.

Fırının dış yüzeylerini hassas sıvı deterjan ve su ile temizleyiniz ve bunun ardından deterjan artıklarının gidermek için temiz su ile silmeniz gerekir.

Yumuşak bir bezle kurulayınız. Cam temizleme spreylere ya da çok amaçlı mutfak temizleyicilere de kullanılabilir.

DİKKAT

Fırının dış yüzeylerinde asla aşındırıcı temizleyiciler, bulaşık teli veya sert kimyasallar kullanmayınız.

Çalışan aksamaların zarar görmesini önlemek için havalandırma menfezlerine su kaçırmayınız.

Montaj

- Fırın kapağı üzerindeki reklam etiketlerini çı-karınız.
- Fırın düz, yatay bir zemin üzerine yerleştirilmelidir. Yüzeyin mukavemeti fırının ağırlığını (16 kg) ve içeriğini güvenli taşımak için yeterli olmalıdır.
- Titreme ve ses yapma olasılığını önlemek için, fırın dengeli bir şekilde konumlandırılmalıdır.
- Fırını ısı ve nemden uzak tutunuz. Isı veneme maruz kalması fırının verimini düşü-rebilir ve arızaya yol açabilir, bu nedenle fırını ısı ve su kaynaklarından uzak bir yere yerleştiriniz.
- Kabinin üst ve yan taraflarındaki havalandırma deliklerini tıkamayınız ve fırın-ın üstüne herhangi bir eşya koymayınız. Havalandırma deliklerinin çalıştırma esnasında tıkanmaları durumunda, fırın ge-reğinden fazla ısınabilir ve bu durum arızaya yol açabilir. Sıcak hava, havalandırma de-liklerinden dışarıya çıkar, bu nedenle perde-lerin fırın ile arkadaki duvar arasına girmesini önleyiniz.
- Fırını, radyolardan ve televizyonlardan mümkün olduğunca uzak bir yere yerleştiriniz. Bu cihaz, EEC radyo parazitlerinin giderilmesi gerekliliklerine uygundur, ancak bir radyo veya televizyona çok yakın konumlandırılması halinde bazı parazitler meydana gelebilir, bu nedenle bu cihazları mümkün olduğunca uzak tutunuz.
- Bir köşeye konumlandırılması halinde, duvarlardan en az 15 cm ve mikro dalganın üstünde 15 cm mesafe bırakınız.

ÖNEMLİ

Bu fırın mutfağın hemen hemen her yerine yerleştirilebilir. Fırının düz, yatay bir yüzey üzerine yerleştirildiğinden ve havalandırma deliklerinin ve fırının altındaki yüzeyin kapatılmadığından (yeterli havalandırma için) emin olunuz.

Elektrik bağlantısı

Fırın, güç kablosu ve 230V - 50 Hz topraklı prize uygun fişle birlikte teslim edilir. Toprak koruması, kısa devre riskini azaltır. Fırın gerili-minin besleme gerilimine uygun olup olmadığını kontrol ediniz.

ÖNEMLİ

Fırının prize uzatma kablosu ile bağlanmasında, kablonun topraklanmış olduğundan emin olunuz.

UYARI

Bu cihaz topraklama koruması olmayan bir güç kaynağına takılmamalıdır. Fırının elektrik bağlantısı veya kaynağın toprak koruması ile ilgili şüphelerinizin olması halinde, bir elektrik teknisyeni çağırınız.


UYARI

Bu cihaz topraklanmalıdır. Bu cihazınızla birlikte, prizinizle uyumlu olmayan ve elektrikli kabloların değiştirilmesi mümkün olmayan bir fiş verilirse, olası bir tehlikeyi önlemek için imalatçı, yetkili servis veya benzeri bir kalifiye kişi tarafından değiştirilmelidir.

UYARI

Eğer besleme kablosu hasarlı ise, tehlikeye kaçınmak amacıyla imalatçı, yetkili servis veya benzeri kalifiye bir kişi tarafından değiştirilmelidir.

Çevre ile ilgili bilgiler

Ürünün ya da ambalajının üzerindeki  simgesi, bu ürünün normal ev çöpü gibi atılmayıp, elektrik ve elektronik cihazların geridönüşümü için verildiği özel toplama noktalarından birine verilmesi gerektiğini belirtir. Bu ürünün doğru şekilde imha edilmesine katkıda bulunmakla hem çevreyi, hem de çevrenizdekilerin sağlığını korumuş olursunuz. Yanlış şekilde imha ise hem çevreye hem sağlığa zararlıdır. Bu ürünün geridönüşümüne ilişkin daha ayrıntılı bilgiler belediye başkanınızdan, çöp dairenizden veya ürün satın almış olduğunuz bayiden edebilirsiniz.

GARANTİ ŞARTLARI

1. Garanti süresi, malın teslim tarihinden itibaren başlar ve
 - Fırın-Çamaşır-Bulaşık Makineleri-Soğutucu klimalar ve Mikrodalgalar 3(ÜÇ) yıl.
 - Süpürge-Ocak-Asprirator-Davlumbaz-Su ısıtıcıları-Küçük ev aletleri 2 (İKİ)yıldır.
2. Malın bütün parçaları dahil olmak üzere tamamı Firmamızın garantisi kapsamında-dır.
3. Malın garanti süresi içerisinde arızalanması durumunda, tamirde geçensüre garanti süresine eklenir.Malın tamirsüresi en fazla 30 iş günüdür.Bu süre, malailişkin arızanın servis istasyonuna, servisistasyonunun olmaması durumunda, malınsatıcısı, bayii, acentası, temsilciliği,ithalatçısı veya imalatçısından birisine bil-dirim tarihinden itibaren başlar. Sanayi ma-lının arızasının 15 iş günü içerisinde giderilmemesi halinde, imalatçı veyaithalatçı; malın tamiri tamamlanıncaya ka-dar, benzer özelliklere sahip başka birsanayi malını tüketicinin kullanımına tahsisetmek zorundadır.
4. Malın garanti süresi içerisinde, gerekmalzeme ve işçilik, gerekse montaj hatalarından dolayı arızalanması halinde, işçilikmasrafı, değiştirilen parça bedeli yadabaşka herhangi bir ad altında hiçbir ücrettalep etmeksizin tamiri yapılacaktır.
5. Malın
 - Teslim tarihinden itibaren garanti süresi içinde kalmak kaydıyla bir yıl içerisinde, aynı arızayı ikiden fazla tekrarlaması veya farklı arızaların dörtten fazla ortaya çıkması sonucu maldan yararlanama-manın süreklilik kazanması,
 - Tamiri için gereken azami sürenin aşılması,
 - Servis istasyonunun mevcut olmaması halinde sırasıyla satıcısı, bayii, acentası, temsilciliği, ithalatçısı veya imalatçısından birisinin düzenleyeceği raporla arızanın tamirinin mümkün bu-lunmadığının belirlenmesi, durumlarında ücretsiz olarak değiştirme işlemleri yapılacaktır.
6. Malın kullanma kılavuzunda yer alan hususlara aykırı kullanılmasından kaynak-lanan arızalar garanti kapsamı dışındadır.
7. Garanti Belgesi ile ilgili olarak çıkabilecek sorunlar için Sanayi ve Ticaret Bakanlığı Tüketicinin ve Rekabetinin Korunması Ge-nel Müdürlüğü'ne başvurulabilir.

Buna Göre

Electrolux'ün Electrolux, AEG-Electrolux, Progress markalı mamulleri için verdiği garanti, aşağıdaki durumlarda geçerli olmaz.

-

Kullanma Kılavuzunda belirtilen talimatlarındışındaki kullanımlar,

- Tüketiciye teslimden sonra oluşabilecek kırık, çizik ve hasarlar (taşıma, çarpma,düşürme, vs)
- Mamulü; uygun olmayan elektrik tesisatındaveya kullanılması öngörülen voltaj dışındakullanma,
- Gereken onarım için Yetkili Servise başvurmadan önce Electrolux Yetkili ServisPersoneli dışında bir kimsenin cihazınonarımına, bakımına veya tadiline kalkışmışolması durumlarında,
- Yukarıda belirtilen maddeler kapsamındaolan arızalar ücret karşılığı yapılır.
- Arızaların giderilmesi konusunda uygulanacak teknik yöntemlerin tesbiti ve değiştirilecek parçaların saptanması tamamenfirmamıza aittir.
- Garanti Belgesi üzerinde tahrifat yapıldığımamul üzerindeki orijinal seri numarası kal-dırıldığı veya tahrip edildiği takdirde bu belgehükümden düşer.

Garanti Belgesi'nin geçerlilik süresi 3 yıldır veonay tarihi esas alınarak her yıl vize edilir. Geçerlilik süresinin dolmasına müteakip 3 ayiçerisinde vizesi yaptırılmayan belgeler geçer-siz sayılır.Belgesi iptal edilen veya geçersizsayılan imalatçı ve / veya ithalatçılara aynı ürünü için 6 ay süre ile yeni belge tanzim edilemez.

İMALATÇI / İTHALATÇI FİRMANIN

ÜNVANI: ELECTROLUX Dayanıklı TüketimMamulleri Sanayi ve Ticaret A.Ş.
MERKEZADRESİ: TarlaBaşı Cad.No : 35
34437 Taksim /İSTANBUL TELEFONU : 0 212 293 10 20 (Pbx)FAX: 0 212 251 60 94
www.electrolux.com.tr

Ürünü ile ilgili teknik sorunlarınoluşması halinde bölgenizde size en yakınYetkili servisimiz ile irtibat kurabilmeniz içinTüketici Danışma Merkezimizi arayınızELECTROLUX TÜKETİCİ DANIŞMAMERKEZİ: 0 800 211 60 32AEG-ELECTROLUX TÜKETİCİ DANIŞMAMERKEZİ: 0 800 211 61 69
Lütfen Yetkili servisimizi aramadan onceşağıdaki bilgileri hazırlayalım.

1. İsim ve adres bilgisi
2. Telefon numaranız
3. Arızanın tam olarak tanımlanması
4. Model-üretim numarası ve seri numarabilgisi (Ürün üzerindeki etikette mevcut)
5. Satın alma tarihi.

* Unutmayınızki hizmetinizi garantili olarakyaptırabilmeniz için faturanızı ve diğer tümservis hizmetlerine ait dokümanları YetkiliServis'e ibra etmek zorundasınız

MARKA

ONAY TARİHİ BELGE NO.

Ürün Grubu	Electrolux	AEG-Electrolux	G. SÜRE
Split Klima	07.05.2003 / 14212	09.06.2004 / 19757	3 YIL
Mikrdalga Fırın	14.11.2002 / 2082	27.03.2002 / 2639	3 YIL
Solo Fırınlr	14.11.2002 / 2083	12.02.2002 / 2415	3 YIL
Ocak	14.11.2002 / 2085	12.02.2002 / 2538	2 YIL
Şofben/Termosifon	14.11.2002 / 2086	13.07.2004 / 20362	2 YIL
Kurutma Makineleri	15.02.2002 / 8602	25.04.2002 / 6917	3 YIL
Derin Dondurucular	16.10.2002 / 6431	16.10.2002 / 6432	3 YIL
Elektrik Süpürgeleri	29.07.2002 / 1546	2.02.2002 / 2391	2 YIL
Bulaşık Makinaları	29.07.2002 / 1547	12.02.2002 / 2392	3 YIL
Soğutucular	29.07.2002 / 1548	12.02.2002 / 2393	3 YIL
Aspiratör/Davlumbazlar	29.07.2002 / 1549	12.02.2002 / 2414	2 YIL
Çamaşır Makinaları	29.07.2002 / 1552	12.02.2002 / 2390	3 YIL
Ekmek Kızartıcı		27.03.2002 / 5046	2 YIL
Fritöz		25.04.2002 / 6234	2 YIL
Hava Temizleyici		27.03.2002 / 5048	2 YIL
Kahve Makinas		27.03.2002 / 2640	2 YIL
Meyva Sıkacağı		25.04.2002 / 6233	2 YIL
Mikser		25.04.2002 / 5409	2 YIL
Saç Kurutma Makinası		25.04.2002 / 5407	2 YIL
Kettle Su Isıtıcı		16.10.2002 / 5820	2 YIL
Ütü		27.03.2002 / 2641	2 YIL

AVRUPA GARANTİSİ

Bu cihaz, cihaz garanti belgesinde yazılı veyakanunlarca belirlenen süre boyunca, kılavuzunarkasında liste halinde verilen ülkelerin herbirinde Elektrolux tarafından garantilidir. Eđeraşığıda liste halinde belirtilen bu ülkelerin bi-rinden diđerine taşınırsanız, cihazın garantiside aşığıdaki şartlar dahilinde sizinle birlikte yerdeğıştirmiş olacaktır:

- Cihazın garantisi, ürünün satıcısı tarafından verilen geçerli bir satın alma belgesininibrazı ile kanıtlayacağınız tarih olan cihazı ilksatın aldığınız tarihte başlar.
- Cihazın garantisi aynı süre için geçerli ve cihazın bu özel modeli ve tipi için yeni ikametededeğiniz ülkede geçerli işçilik veparçalarla ilgili olarak aynı içeriđe sahip olacaktır.
- Cihazın garantisi, cihazı satın alan ilk kişiyemahsustur ve başka bir kullanıcıya devredi-lemez.
- Cihaz, Electrolux tarafından verilen talimatlar uyarınca monte edilir ve kullanılır vesadece ev içi kullanım amaçlıdır, yani ticarikullanım amaçlı değildir.
- Cihaz, yeni ikamet ededeğiniz ülkedeyürürlükte bulunan ilgili tüm kanunlaruyarınca monte edilmelidir.



The symbol on the product or on its packaging indicates that this product may not be treated as household waste. Instead it shall be handed over to the applicable collection point for the recycling of electrical and electronic equipment. By ensuring this product is disposed of correctly, you will help prevent potential negative consequences for the environment and human health, which could otherwise be caused by inappropriate waste handling of this product. For more detailed information about recycling of this product, please contact your local city office, your household waste disposal service or the shop where you purchased the product.



Символът върху продукта или опаковката му показва, че този продукт не трябва да се третира като домакинските отпадъци. Вместо това, той трябва да се предаде в специализиран пункт за рециклиране на електрическо и електронно оборудване. Като се погрижите този продукт да бъде изхвърлен по подходящ начин, вие ще помогнете за предотвратяване на възможните негативни последици за околната среда и човешкото здраве, които иначе биха могли да бъдат предизвикан от неправилното изхвърляне като отпадък на този продукт. За по-подробна информация за рециклиране на този продукт се обърнете към местната градска управа, службата за вторични суровини или магазина, откъдето сте закупили продукта.



Simbol na proizvodu ili na njegovoj ambalaži označuje da se s tim proizvodom ne smije postupiti kao s otpadom iz domaćinstva. Umjesto toga treba biti uručen prikladnim sabirnim točkama za recikliranje električnih i elektroničkih aparata. Ispravnim odvoženjem ovog proizvoda spriječit ćete potencijalne negativne posljedice na okoliš i zdravlje ljudi, koje bi inače mogli ugroziti neodgovarajućim rukovanjem otpada ovog proizvoda. Za detaljnije informacije o recikliranju ovog proizvoda molimo Vas da kontaktirate Vaš lokalni gradski ured, uslugu za odvoženje otpada iz domaćinstva ili trgovinu u kojoj ste kupili proizvod.



Symbol na výrobku nebo jeho balení udává, že tento výrobek nepatří do domácího odpadu. Je nutné odvézt ho do sběrného místa pro recyklaci elektrického a elektronického zařízení. Zajištěním správné likvidace tohoto výrobku pomůžete zabránit negativním důsledkům pro životní prostředí a lidské zdraví, které by jinak byly způsobeny nevhodnou likvidací tohoto výrobku. Podrobnější informace o recyklaci tohoto výrobku zjistíte u příslušného místního úřadu, služby pro likvidaci domovního odpadu nebo v obchodě, kde jste výrobek zakoupili.



A terméken vagy a csomagolásán található szimbólum azt jelzi, hogy a termék nem kezelhető háztartási hulladékként. Ehelyett a terméket el kell szállítani az elektromos és elektronikai készülékek újrahasznosítására szakosodott megfelelő begyűjtő helyre. Azzal, hogy gondoskodik ezen termék helyes hulladékkezeléséről, segít megelőzni azokat a környezetre és az emberiség egészségére gyakorolt potenciális kedvezőtlen következményeket, amelyeket ellenkező esetben a termék nem megfelelő hulladékkezelése okozhatna. Ha részletesebb tájékoztatásra van szüksége a termék újrahasznosítására vonatkozóan, kérjük, lépjen kapcsolatba ahelyi önkormányzattal, a háztartási hulladékok kezelését végző szolgáltatóval vagy azzal a bolttal, ahol a terméket vásárolta.



Symbol na produkcie lub na opakowaniu oznacza, że tego produktu nie wolno traktować tak, jak innych odpadów domowych. Należy oddać go do właściwego punktu skupu surowców wtórnych zajmującego się złomowanym sprzętem elektrycznym i elektronicznym. Właściwa utylizacja i złomowanie pomaga w eliminacji niekorzystnego wpływu złomowanych produktów na środowisko naturalne oraz zdrowie. Aby uzyskać szczegółowe dane dotyczące możliwości recyklingu niniejszego urządzenia, należy skontaktować się z lokalnym urzędem miasta, służbami oczyszczania miasta lub sklepem, w którym produkt został zakupiony.



Simbolul de pe produs sau de pe ambalaj indică faptul că produsul nu trebuie aruncat împreună cu gunoii menajer. Trebuie predat la punctul de colectare corespunzător pentru reciclarea echipamentelor electrice și electronice. Asigurându-vă că ați eliminat în mod corect produsul, ajutați la evitarea potențialelor consecințe negative pentru mediul înconjurător și pentru sănătatea persoanelor, consecințe care ar putea deriva din aruncarea necorespunzătoare a acestui produs. Pentru mai multe informații detaliate despre reciclarea acestui produs, vă rugăm să contactați biroul local, serviciul pentru eliminarea deșeurilor sau magazinul de la care l-ați achiziționat.



Symbol na výrobku alebo na jeho obale znamená, že s výrobkom sa nesmie zaobchádzať ako s domovým odpadom. Namiesto toho ho treba odovzdať v zbernom stredisku na recykláciu elektrických alebo elektronických zariadení. Zabezpečte, že tento výrobok bude zlikvidovaný správnym postupom, aby ste predišli negatívnym vplyvom na životné prostredie a ľudské zdravie, čo by bolo spôsobené nesprávnym postupom pri jeho likvidácii. Podrobnejšie informácie o recyklácii tohto výrobku získate, ak zavoláte miestny úrad vo Vašom bydlisku, zbernú surovinu alebo obchod, v ktorom ste výrobok kúpili.



Simbol na izdelku ali njegovi embalaži označuje, da z izdelkom ni dovoljeno ravnati kot z običajnimi gospodinjstvi odpadki, izdelek odpeljite na ustrezno zbirno mesto za predelavo električne in elektronske opreme. S pravilnim načinom odstranjevanja izdelka boste pomagali preprečiti morebitne negativne posledice in vplive na okolje in zdravje ljudi, ki bi se lahko pojavile v primeru nepravilnega odstranjevanja izdelka. Za podrobnejše informacije o odstranjevanju in predelavi izdelka se obrnite na pristojen mestni organ za odstranjevanje odpadkov, komunalno službo ali na trgovino, v kateri ste izdelek kupili.



Symbolet på produktet eller på pakken angiver, at dette produkt ikke må behandles som husholdningsaffald. Det skal i stedet overgives til en affaldsstation for behandling af elektrisk og elektronisk udstyr. Ved at sørge for at dette produkt bliver bortskaffet på den rette måde, hjælper du med til at forebygge eventuelle negative påvirkninger af miljøet og af personers helbred, der ellers kunne forårsages af forkert bortskaffelse af dette produkt. Kontakt det lokale kommunekontor, affaldsselskab eller den forretning, hvor produkt er købt, for yderligere oplysninger om genanvendelse af dette produkt.



Symboli , joka on merkitty tuotteeseen tai sen pakkaukseen, osoittaa, että tätä tuotetta ei saa käsitellä talousjätteenä. Tuote on sen sijaan luovutettava sopivaan sähkö- ja elektroniikkalaitteiden kierrätyksestä huolehtivaan keräyspisteeseen. Tämän tuotteen asianmukaisen hävittämisen varmistamisella autetaan estämään sen mahdolliset ympäristöön ja terveyteen kohdistuvat haittavaikutukset, joita voi aiheutua muussa tapauksessa tämän tuotteen epäasianmukaisesta jätekäsittelystä. Tarkempia tietoja tämän tuotteen kierrättämisestä saa paikallisesta kunnantoinmistosta, talousjätehuoltopalvelusta tai liikkeestä, josta tuote on ostettu.



Symbolet på produktet eller på emballasjen viser at dette produktet ikke må behandles som husholdningsavfall. Det skal derimot bringes til et mottak for resirkulering av elektrisk og elektronisk utstyr. Ved å sørge for korrekt avhending av apparatet, vil du bidra til å forebygge de negative konsekvenser for miljø og helse som gal håndtering kan medføre. For nærmere informasjon om resirkulering av dette produktet, vennligst kontakt kommunen, renovasjonsselskapet eller forretningen der du anskaffet det.



Symbolen på produkten eller emballaget anger att produkten inte får hanteras som hushållsavfall. Den skall i stället lämnas in på uppsamlingsplats för återvinning av el- och elektronikkomponenter. Genom att säkerställa att produkten hanteras på rätt sätt bidrar du till att förebygga eventuellt negativa miljö- och hälsoeffekter som kan uppstå om produkten kasseras som vanligt avfall. För ytterligare upplysningar om återvinning bör du kontakta lokala myndigheter eller sophämtningstjänst eller affären där du köpte varan.



To σύμβολο στο προϊόν ή επάνω στη συσκευασία του υποδεικνύει ότι δεν πρέπει να μεταχειρίζεστε το προϊόν αυτό ως οικιακό απόρριμμα. Αντιθέτως θα πρέπει να παραδίδεται στο κατάλληλο σημείο συλλογής για την ανακύκλωση ηλεκτρικού και ηλεκτρονικού εξοπλισμού. Εξασφαλίζοντας ότι το προϊόν αυτό διατίθεται σωστά, συμβάλλετε στην αποτροπή ενδεχόμενων αρνητικών συνεπειών για το περιβάλλον και την ανθρώπινη υγεία, οι οποίες θα μπορούσαν διαφορετικά να προκληθούν από ακατάλληλο χειρισμό απόρριψης του προϊόντος αυτού. Για λεπτομερέστερες πληροφορίες σχετικά με την ανακύκλωση του προϊόντος αυτού, επικοινωνήστε με το δημαρχείο της περιοχής σας, την τοπική σας υπηρεσία αποκομιδής οικιακών απορριμμάτων ή με το κατάστημα όπου αγοράσατε το προ

